

Preface

Z87-G41 PC Mate
H87-G41 PC Mate
B85-G41 PC Mate
ZH87-G41 PC Mate
Motherboard

Copyright Notice

The material in this document is the intellectual property of **MICRO-STAR INTERNATIONAL**. We take every care in the preparation of this document, but no guarantee is given as to the correctness of its contents. Our products are under continual improvement and we reserve the right to make changes without notice.

Trademarks

All trademarks in this manual are properties of their respective owners.

- MSI® is registered trademark of Micro-Star Int'l Co.,Ltd.
- NVIDIA® is registered trademark of NVIDIA Corporation.
- ATI® is registered trademark of AMD Corporation.
- AMD® is registered trademarks of AMD Corporation.
- Intel® is registered trademarks of Intel Corporation.
- Windows® is registered trademarks of Microsoft Corporation.
- AMI® is registered trademark of American Megatrends Inc.
- Award® is a registered trademark of Phoenix Technologies Ltd.
- Sound Blaster® is registered trademark of Creative Technology Ltd.
- Realtek® is registered trademark of Realtek Semiconductor Corporation.
- JMicron® is registered trademark of JMicron Technology Corporation.
- Netware® is registered trademark of Novell, Inc.
- Lucid® is trademark of LucidLogix Technologies, Ltd.
- VIA® is registered trademark of VIA Technologies, Inc.
- ASMedia® is registered trademark of ASMedia Technology Inc.
- iPad, iPhone, and iPod are trademarks of Apple Inc.
- Qualcomm Atheros and Killer are trademarks of Qualcomm Atheros Inc.

Revision History

Revision	Revision History	Date
V1.0	First release	2013/04

Smartphone Application



MSI+ is a smart web gadget that works as a shopping navigator and provides specs comparison for IT buyers. With a simple tap of the smartphone, you'll efficiently locate your ideal products from a wide variety of choices and, if product details are required, you may easily download user manuals within minutes. Better yet, the power calculator provides accurate estimates of power unit capacity for DIY users.



Technical Support

If a problem arises with your system and no solution can be obtained from the user's manual, please contact your place of purchase or local distributor. Alternatively, please try the following help resources for further guidance.



Visit the MSI website for technical guide, BIOS updates, driver updates, and other information:

<http://www.msi.com/service/download/>



Contact our technical staff at:

<http://support.msi.com>

Safety Instructions

- Always read the safety instructions carefully.
- Keep this User's Manual for future reference.
- Keep this equipment away from humidity.
- Lay this equipment on a reliable flat surface before setting it up.
- The openings on the enclosure are for air convection hence protects the equipment from overheating. **DO NOT COVER THE OPENINGS.**
- Make sure the voltage of the power source is at 110/220V before connecting the equipment to the power inlet.
- Place the power cord such a way that people can not step on it. Do not place anything over the power cord.
- Always Unplug the Power Cord before inserting any add-on card or module.
- All cautions and warnings on the equipment should be noted.
- Never pour any liquid into the opening that can cause damage or cause electrical shock.
- If any of the following situations arises, get the equipment checked by service personnel:
 - The power cord or plug is damaged.
 - Liquid has penetrated into the equipment.
 - The equipment has been exposed to moisture.
 - The equipment does not work well or you can not get it work according to User's Manual.
 - The equipment has been dropped and damaged.
 - The equipment has obvious sign of breakage.
- **DO NOT LEAVE THIS EQUIPMENT IN AN ENVIRONMENT ABOVE 60°C (140°F), IT MAY DAMAGE THE EQUIPMENT.**

FCC-B Radio Frequency Interference Statement

This equipment has been tested and found to comply with the limits for a Class B digital device, pursuant to Part 15 of the FCC Rules. These limits are designed to provide reasonable protection against harmful interference in a residential installation. This equipment generates, uses and can radiate radio frequency energy and, if not installed and used in accordance with the instructions, may cause harmful interference to radio communications. However, there is no guarantee that interference will not occur in a particular installation. If this equipment does cause harmful interference to radio or television reception, which can be determined by turning the equipment off and on, the user is encouraged to try to correct the interference by one or more of the measures listed below.

- Reorient or relocate the receiving antenna.
- Increase the separation between the equipment and receiver.
- Connect the equipment into an outlet on a circuit different from that to which the receiver is connected.
- Consult the dealer or an experienced radio/television technician for help.

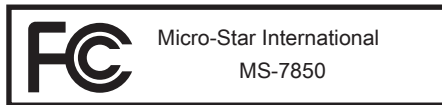
Notice 1

The changes or modifications not expressly approved by the party responsible for compliance could void the user's authority to operate the equipment.

Notice 2

Shielded interface cables and A.C. power cord, if any, must be used in order to comply with the emission limits.

VOIR LA NOTICE D'INSTALLATION AVANT DE RACCORDER AU RESEAU.



This device complies with Part 15 of the FCC Rules. Operation is subject to the following two conditions:

- 1) this device may not cause harmful interference, and
- 2) this device must accept any interference received, including interference that may cause undesired operation.

CE Conformity

Hereby, Micro-Star International CO., LTD declares that this device is in compliance with the essential safety requirements and other relevant provisions set out in the European Directive.



Radiation Exposure Statement

This equipment complies with FCC radiation exposure limits set forth for an uncontrolled environment. This equipment and its antenna should be installed and operated with minimum distance 20 cm between the radiator and your body. This equipment and its antenna must not be co-located or operating in conjunction with any other antenna or transmitter.

European Community Compliance Statement

The equipment complies with the RF Exposure Requirement 1999/519/EC, Council Recommendation of 12 July 1999 on the limitation of exposure of the general public to electromagnetic fields (0–300GHz). This wireless device complies with the R&TTE Directive.

Taiwan Wireless Statements

無線設備警告聲明

經型式認證合格之低功率射頻電機，非經許可，公司、商號或使用者均不得擅自變更頻率、加大功率或變更原設計之特性及功能。

低功率射頻電機之使用不得影響飛航安全及干擾合法通信；經發現有干擾現象時，應立即停用，並改善至無干擾時方得繼續使用。前項合法通信，指依電信法規定作業之無線電通信。低功率射頻電機須忍受合法通信或工業、科學及醫療用電波輻射性電機設備之干擾。

警告使用者：這是甲類資訊產品，在居住的環境中使用時，可能會造成無線電干擾，在這種情況下，使用者會被要求採取某些適當的對策。

Japan VCCI Class B Statement

クラス B 情報技術装置

この装置は、情報技術装置等電波障害自主規制協議会（VCCI）の基準に基づくクラスB情報技術装置です。この装置が家庭内でラジオやテレビジョン受信機に近接して使われると、受信障害を引き起こすことがあります。取扱説明書にしたがって正しい取り扱いをしてください。

Korea Warning Statements

당해 무선설비는 운용중 전파혼신 가능성이 있음

Battery Information



European Union:

Batteries, battery packs, and accumulators should not be disposed of as unsorted household waste. Please use the public collection system to return, recycle, or treat them in compliance with the local regulations.



Taiwan:

For better environmental protection, waste batteries should be collected separately for recycling or special disposal.

廢電池請回收



California, USA:

The button cell battery may contain perchlorate material and requires special handling when recycled or disposed of in California.

For further information please visit:

<http://www.dtsc.ca.gov/hazardouswaste/perchlorate/>

CAUTION: There is a risk of explosion, if battery is incorrectly replaced.
Replace only with the same or equivalent type recommended by the manufacturer.

Chemical Substances Information

In compliance with chemical substances regulations, such as the EU REACH Regulation (Regulation EC No. 1907/2006 of the European Parliament and the Council), MSI provides the information of chemical substances in products at:

http://www.msi.com/html/popup/csr/evmtprtt_pcm.html

WEEE (Waste Electrical and Electronic Equipment) Statement

ENGLISH

To protect the global environment and as an environmentalist, MSI must remind you that...

Under the European Union ("EU") Directive on Waste Electrical and Electronic Equipment, Directive 2002/96/EC, which takes effect on August 13, 2005, products of "electrical and electronic equipment" cannot be discarded as municipal wastes anymore, and manufacturers of covered electronic equipment will be obligated to take back such products at the end of their useful life. MSI will comply with the product take back requirements at the end of life of MSI-branded products that are sold into the EU. You can return these products to local collection points.



DEUTSCH

Hinweis von MSI zur Erhaltung und Schutz unserer Umwelt

Gemäß der Richtlinie 2002/96/EG über Elektro- und Elektronik-Altgeräte dürfen Elektro- und Elektronik-Altgeräte nicht mehr als kommunale Abfälle entsorgt werden. MSI hat europaweit verschiedene Sammel- und Recyclingunternehmen beauftragt, die in die Europäische Union in Verkehr gebrachten Produkte, am Ende seines Lebenszyklus zurückzunehmen. Bitte entsorgen Sie dieses Produkt zum gegebenen Zeitpunkt ausschliesslich an einer lokalen Altgerätesammelstelle in Ihrer Nähe.

FRANÇAIS

En tant qu'écologiste et afin de protéger l'environnement, MSI tient à rappeler ceci...

Au sujet de la directive européenne (EU) relative aux déchets des équipement électriques et électroniques, directive 2002/96/EC, prenant effet le 13 août 2005, que les produits électriques et électroniques ne peuvent être déposés dans les décharges ou tout simplement mis à la poubelle. Les fabricants de ces équipements seront obligés de récupérer certains produits en fin de vie. MSI prendra en compte cette exigence relative au retour des produits en fin de vie au sein de la communauté européenne. Par conséquent vous pouvez retourner localement ces matériels dans les points de collecte.

РУССКИЙ

Компания MSI предпринимает активные действия по защите окружающей среды, поэтому напоминаем вам, что....

В соответствии с директивой Европейского Союза (ЕС) по предотвращению загрязнения окружающей среды использованным электрическим и электронным оборудованием (директива WEEE 2002/96/EC), вступающей в силу 13 августа 2005 года, изделия, относящиеся к электрическому и электронному оборудованию, не могут рассматриваться как бытовой мусор, поэтому производители вышеперечисленного электронного оборудования обязаны принимать его для переработки по окончании срока службы. MSI обязуется соблюдать требования по приему продукции, проданной под маркой MSI на территории ЕС, в переработку по окончании срока службы. Вы можете вернуть эти изделия в специализированные пункты приема.

ESPAÑOL

MSI como empresa comprometida con la protección del medio ambiente, recomienda: Bajo la directiva 2002/96/EC de la Unión Europea en materia de desechos y/o equipos electrónicos, con fecha de rigor desde el 13 de agosto de 2005, los productos clasificados como “eléctricos y equipos electrónicos” no pueden ser depositados en los contenedores habituales de su municipio, los fabricantes de equipos electrónicos, están obligados a hacerse cargo de dichos productos al termino de su período de vida. MSI estará comprometido con los términos de recogida de sus productos vendidos en la Unión Europea al final de su periodo de vida. Usted debe depositar estos productos en el punto limpio establecido por el ayuntamiento de su localidad o entregar a una empresa autorizada para la recogida de estos residuos.

NEDERLANDS

Om het milieu te beschermen, wil MSI u eraan herinneren dat...

De richtlijn van de Europese Unie (EU) met betrekking tot Vervuiling van Electriche en Electronische producten (2002/96/EC), die op 13 Augustus 2005 in zal gaan kunnen niet meer beschouwd worden als vervuiling. Fabrikanten van dit soort producten worden verplicht om producten retour te nemen aan het eind van hun levenscyclus. MSI zal overeenkomstig de richtlijn handelen voor de producten die de merknaam MSI dragen en verkocht zijn in de EU. Deze goederen kunnen geretourneerd worden op lokale inzamelingspunten.

SRPSKI

Da bi zaštitili prirodnu sredinu, i kao preduzeće koje vodi računa o okolini i prirodnoj sredini, MSI mora da vas pedesti da...

Po Direktivi Evropske unije (“EU”) o odbačenoj eelektronskoj i električnoj opremi, Direktiva 2002/96/EC, koja stupa na snagu od 13. Avgusta 2005, proizvodi koji spadaju pod “elektronsku i električnu opremu” ne mogu više biti odbačeni kao običan otpad i proizvođači ove opreme biće prinuđeni da uzmu natrag ove proizvode na kraju njihovog uobičajenog veka trajanja. MSI će poštovati zahtev o preuzimanju ovakvih proizvoda kojima je istekao vek trajanja, koji imaju MSI oznaku i koji su prodati u EU. Ove proizvode možete vratiti na lokalnim mestima za prikupljanje.

POLSKI

Aby chronić nasze środowisko naturalne oraz jako firma dbająca o ekologię, MSI przypomina, że...

Zgodnie z Dyrektywą Unii Europejskiej (“UE”) dotyczącą odpadów produktów elektrycznych i elektronicznych (Dyrektywa 2002/96/EC), która wchodzi w życie 13 sierpnia 2005, tzw. “produkty oraz wyposażenie elektryczne i elektroniczne “ nie mogą być traktowane jako śmieci komunalne, tak więc producenci tych produktów będą zobowiązani do odbierania ich w momencie gdy produkt jest wycofywany z użycia. MSI wypełni wymagania UE, przyjmując produkty (sprzedawane na terenie Unii Europejskiej) wycofywane z użycia. Produkty MSI będzie można zwracać w wyznaczonych punktach zbiorczych.

TÜRKÇE

Çevreci özelliğiyle bilinen MSI dünyada çevreyi korumak için hatırlatır:

Avrupa Birliği (AB) Kararnamesi Elektrik ve Elektronik Malzeme Atığı, 2002/96/EC Kararnamesi altında 13 Ağustos 2005 tarihinden itibaren geçerli olmak üzere, elektrikli ve elektronik malzemeler diğer atıklar gibi çöpe atılmayacak ve bu elektronik cihazların üreticileri, cihazların kullanım süreleri bittikten sonra ürünleri geri toplamakla yükümlü olacaktır. Avrupa Birliği'ne satılan MSI markalı ürünlerin kullanım süreleri bittiğinde MSI ürünlerin geri alınması isteği ile işbirliği içerisinde olacaktır. Ürünlerinizi yerel toplama noktalarına bırakabilirsiniz.

ČESKY

Záleží nám na ochraně životního prostředí - společnost MSI upozorňuje...

Podle směrnice Evropské unie ("EU") o likvidaci elektrických a elektronických výrobků 2002/96/EC platné od 13. srpna 2005 je zakázáno likvidovat "elektrické a elektronické výrobky" v běžném komunálním odpadu a výrobci elektronických výrobků, na které se tato směrnice vztahuje, budou povinni odebírat takové výrobky zpět po skončení jejich životnosti. Společnost MSI splní požadavky na odebírání výrobků značky MSI, prodávaných v zemích EU, po skončení jejich životnosti. Tyto výrobky můžete odevzdat v místních sběrnách.

MAGYAR

Annak érdekében, hogy környezetünket megvédjük, illetve környezetvédként fellépve az MSI emlékezteti Önt, hogy ...

Az Európai Unió („EU”) 2005. augusztus 13-án hatályba lépő, az elektromos és elektronikus berendezések hulladékairól szóló 2002/96/EK irányelve szerint az elektromos és elektronikus berendezések többé nem kezelhetőek lakossági hulladékként, és az ilyen elektronikus berendezések gyártói köteleessé válnak az ilyen termékek visszavételére azok hasznos élettartama végén. Az MSI betartja a termékvisszavétellel kapcsolatos követelményeket az MSI márkanév alatt az EU-n belül értékesített termékek esetében, azok élettartamának végén. Az ilyen termékeket a legközelebbi gyűjtőhelyre viheti.

ITALIANO

Per proteggere l'ambiente, MSI, da sempre amica della natura, ti ricorda che....

In base alla Direttiva dell'Unione Europea (EU) sullo Smaltimento dei Materiali Elettrici ed Elettronici, Direttiva 2002/96/EC in vigore dal 13 Agosto 2005, prodotti appartenenti alla categoria dei Materiali Elettrici ed Elettronici non possono più essere eliminati come rifiuti municipali: i produttori di detti materiali saranno obbligati a ritirare ogni prodotto alla fine del suo ciclo di vita. MSI si adegnerà a tale Direttiva ritirando tutti i prodotti marchiati MSI che sono stati venduti all'interno dell'Unione Europea alla fine del loro ciclo di vita. È possibile portare i prodotti nel più vicino punto di raccolta

CONTENTS

English	En-1
Motherboard Specifications.....	En-2
Connectors Quick Guide.....	En-5
Back Panel Quick Guide.....	En-7
CPU (Central Processing Unit).....	En-9
Memory.....	En-13
Mounting Screw Holes.....	En-14
Power Supply.....	En-15
Expansion Slots.....	En-16
Video/ Graphics Cards.....	En-17
Internal Connectors.....	En-18
Jumpers.....	En-25
Drivers and Utilities.....	En-26
BIOS Setup.....	En-27
한국어	Kr-1
메인보드 사양.....	Kr-2
커넥터 퀵 가이드.....	Kr-5
후면 패널.....	Kr-7
CPU (중앙 처리 장치).....	Kr-9
메모리.....	Kr-13
장착 스크류 홀.....	Kr-14
전원 공급 장치.....	Kr-15
확장 슬롯.....	Kr-16
비디오/ 그래픽 카드.....	Kr-17
내장 커넥터.....	Kr-18
점퍼.....	Kr-25
드라이버 및 유틸리티.....	Kr-26
BIOS 설정.....	Kr-27
日本語	Jp-1
マザーボードの仕様.....	Jp-2
コネクタクイックガイド.....	Jp-5
I/Oパネルクイックガイド.....	Jp-7
CPUに関する注意事項.....	Jp-9
メモリ.....	Jp-13
取付穴.....	Jp-14
電源.....	Jp-15
拡張スロット.....	Jp-16
ビデオ/グラフィックスカード.....	Jp-17
内部コネクタ.....	Jp-18

ジャンパ	Jp-25
ドライバーとユーティリティ	Jp-26
BIOSの設定	Jp-27
繁體中文	Tc-1
主機板規格	Tc-2
接頭快速指南	Tc-5
背板快速指南	Tc-7
CPU (中央處理器)	Tc-9
記憶體	Tc-13
裝機孔	Tc-14
電源供應器	Tc-15
擴充插槽	Tc-16
顯示卡	Tc-17
內建接頭	Tc-18
跳線	Tc-25
驅動程式及工具	Tc-26
BIOS 設定	Tc-27
簡體中文	Sc-1
主板規格	Sc-2
組件快速指南	Sc-5
后置面板	Sc-7
CPU (中央处理器)	Sc-9
内存	Sc-13
螺丝孔	Sc-14
电源供电	Sc-15
扩展插槽	Sc-16
视频/ 显卡	Sc-17
内部接口	Sc-18
跳线	Sc-25
驱动和实用程序	Sc-26
BIOS Setup	Sc-27
Installation/ 설치하기/ インストール/ 安裝/ 安装	A-1
CPU	A-2
Memory/ 메모리/ メモリ/ 記憶體/ 内存	A-4
Motherboard/ 메인보드/ マザーボード/ 主機板/ 主板	A-5
Power Connector/ 전원 커넥터/ 電源コネクター/ 電源接頭/ 电源接口	A-7
SATA HDD	A-9
mSATA SSD	A-10
Front Panel Connector/ 전면 패널 커넥터/ フロントパネルコネクター/ 面板接頭/ 前置面板接口	A-11

Peripheral Connector/ 주변 커넥터/ 周辺機器のコネクター/ 週邊接頭/ 周辺接口
.....A-12
Graphics Card/ 그래픽 카드/ グラフィックスカード/.....A-13
顯示卡/ 显卡A-13

English

Thank you for choosing the Z87-G41 PC Mate/ H87-G41 PC Mate/ B85-G41 PC Mate Series (MS-7850 v1.X) ATX motherboard. The Z87-G41 PC Mate/ H87-G41 PC Mate/ B85-G41 PC Mate Series motherboards are based on Intel® Z87/ H87/ B85 chipset for optimal system efficiency. Designed to fit the advanced Intel® LGA1150 processor, the Z87-G41 PC Mate/ H87-G41 PC Mate/ B85-G41 PC Mate Series motherboards deliver a high performance and professional desktop platform solution.

Motherboard Specifications

CPU Support	<ul style="list-style-type: none"> ■ 4th Generation Intel® Core™ i7 / Core™ i5 / Core™ i3 / Pentium® / Celeron® processors for LGA 1150 socket
Chipset	<ul style="list-style-type: none"> ■ Intel® Z87/ H87/ B85 Express Chipset
Memory Support	<ul style="list-style-type: none"> ■ 4x DDR3 memory slots supporting up to 32GB ■ Z87-G41 PC Mate supports DDR3 3000(OC)/ 2800(OC)/ 2666(OC)/ 2600(OC)/ 2400(OC)/ 2200(OC)/ 2133(OC)/ 2000(OC)/ 1866(OC)/ 1600/ 1333/ 1066 MHz ■ H87-G41 PC Mate and B85-G41 PC Mate supports DDR3 1600/ 1333/ 1066 MHz ■ Dual channel memory architecture ■ Supports non-ECC, un-buffered memory ■ Supports Intel® Extreme Memory Profile (XMP)
Expansion Slots	<ul style="list-style-type: none"> ■ 2x PCIe x16 slots <ul style="list-style-type: none"> - PCI_E2 supports PCIe 3.0 - PCI_E4 supports PCIe 2.0 - Support x16, x4/x4 modes ■ 2x PCIe 2.0 x1 slots ■ 2x PCI slots
Onboard Graphics	<ul style="list-style-type: none"> ■ 1x VGA port, supporting a maximum resolution of 1920x1200 @ 60Hz, 24bpp ■ 1x DVI-D port, supporting a maximum resolution of 1920x1200 @ 60Hz, 24bpp ■ 1x HDMI port, supporting a maximum resolution of 4096x2160@24Hz, 24bpp/ 2560x1600@60Hz, 24bpp/ 1920x1080@60Hz, 36bpp
Multi-GPU Support	<ul style="list-style-type: none"> ■ Supports AMD CrossFire™ Technology
Storage	<ul style="list-style-type: none"> ■ Z87-G41 PC Mate/ H87-G41 PC Mate <ul style="list-style-type: none"> - Intel Z87/ H87 Express Chipset - 6x SATA 6Gb/s ports (SATA1~6) - Supports RAID 0, RAID1, RAID 5 and RAID 10 - Supports Intel Smart Response Technology, Intel Rapid Start Technology and Intel Smart Connect Technology* ■ B85-G41 PC Mate <ul style="list-style-type: none"> - Intel B85 Express Chipset - 4x SATA 6Gb/s ports (SATA1, SATA2, SATA3, SATA4) - 2x SATA 3Gb/s ports (SATA5, SATA6) - Supports Intel Smart Connect Technology* <p>* Supports Intel Core processors on Windows 7 and Windows 8.</p>
USB	<ul style="list-style-type: none"> ■ Intel Z87/ H87/ B85 Express Chipset <ul style="list-style-type: none"> - 4x USB 3.0 ports (2 ports on the back panel, 2 ports available through the internal USB connectors) - 8x USB 2.0 ports (4 ports on the back panel, 4 ports available through the internal USB connectors)
Audio	<ul style="list-style-type: none"> ■ Realtek® ALC887 Codec
LAN	<ul style="list-style-type: none"> ■ Realtek® RTL8111G Gigabit LAN controller

Back Panel Connectors	<ul style="list-style-type: none"> ■ 1x PS/2 mouse port ■ 1x PS/2 keyboard port ■ 4x USB 2.0 ports ■ 2x USB 3.0 ports ■ 1x HDMI port ■ 1x VGA port ■ 1x DVI-D port ■ 1x LAN (RJ45) port ■ 3x audio jacks
Internal Connectors	<ul style="list-style-type: none"> ■ 1x 24-pin ATX main power connector ■ 1x 8-pin ATX 12V power connector ■ 6x SATA connectors ■ 2x USB 2.0 connectors (supports additional 4 USB 2.0 ports) ■ 1x USB 3.0 connector (supports additional 2 USB 3.0 ports) ■ 2x 4-pin CPU fan connectors ■ 1x 4-pin system fan connector ■ 2x 3-pin system fan connectors ■ 1x Clear CMOS jumper ■ 1x Front panel audio connector ■ 2x System panel connectors ■ 1x Chassis Intrusion connector ■ 1x TPM module connector ■ 1x Serial port connector ■ 1x Parallel Port connector
I/O Controller	<ul style="list-style-type: none"> ■ NUVOTON NCT6779 Controller Chip
Hardware Monitor	<ul style="list-style-type: none"> ■ CPU/System temperature detection ■ CPU/System fan speed detection ■ CPU/System fan speed control
BIOS Features	<ul style="list-style-type: none"> ■ 64 Mb flash (for Z87-G41 PC Mate) ■ 128 Mb flash (for H87-G41 PC Mate/ B85-G41 PC Mate) ■ UEFI AMI BIOS ■ ACPI 5.0, PnP 1.0a, SM BIOS 2.7, DMI 2.0 ■ Multi-language
Special Features	<ul style="list-style-type: none"> ■ Military Class 4 ■ OC Genie 4 ■ Click BIOS 4 ■ AMD CrossFire ■ Sound Blaster Cinema (for Z87-G41 PC Mate) ■ Clear CMOS Button ■ Total Fan Control ■ Super RAID ■ Command Center

Software	<ul style="list-style-type: none">■ Drivers■ MSI<ul style="list-style-type: none">- Command Center- Super Charger- Super RAID- Live Update 5- Fast Boot■ 7-ZIP■ Intel Extreme Tuning Utility■ Norton Internet Security Solution■ Trend Micro SafeSync■ Sound Blaster Cinema (for Z87-G41 PC Mate)■ Network genie■ Small Business Advantage (for H87-G41 PC Mate/ B85-G41 PC Mate)
Form Factor	<ul style="list-style-type: none">■ ATX Form Factor■ 12 in. x 8.7 in. (30.5 cm x 22 cm)

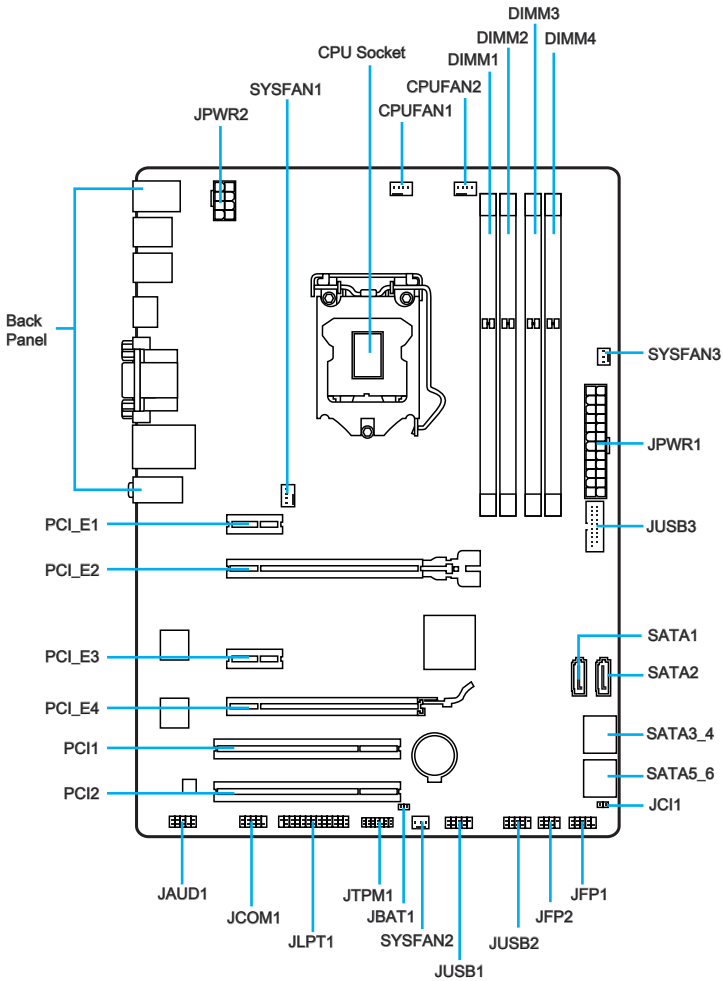


For the latest information about CPU, please visit
<http://www.msi.com/service/cpu-support/>



For more information on compatible components, please visit
<http://www.msi.com/service/test-report/>

Connectors Quick Guide

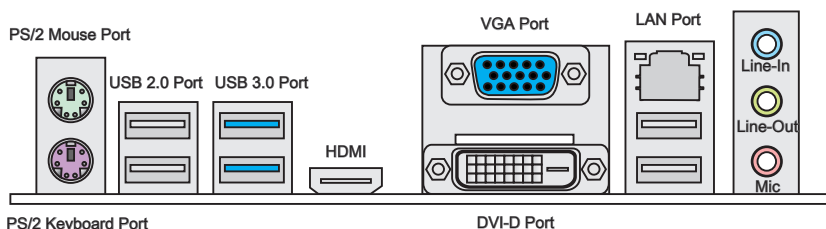


English

Connectors Reference Guide

Port Name	Port Type	Page
Back Panel	CPU & Heatsink Installation	En-7
CPU	LGA1150 CPU Socket	En-9
CPUFAN1~2,SYSFAN1~3	Fan Power Connectors	En-19
DIMM1~4	DDR3 Memory Slots	En-13
JAUD1	Front Panel Audio Connector	En-22
JBAT1	Clear CMOS Jumper	En-25
JCI1	Chassis Intrusion Connector	En-22
JCOM1	Serial Port Connector	En-23
JFP1, JFP2	System Panel Connectors	En-20
JLPT1	Parallel Port Connector	En-24
JPWR1~2	ATX Power Connectors	En-15
JTPM1	TPM Module Connector	En-23
JUSB1~2	USB 2.0 Expansion Connectors	En-21
JUSB3	USB 3.0 Expansion Connector	En-21
PCI_E2,4	PCIe x16 Expansion Slots	En-16
PCI_E1,3	PCIe x1 Expansion Slots	En-16
SATA1~6	SATA Connectors	En-18

Back Panel Quick Guide



► PS/2 Mouse/ Keyboard Port

PS/2® mouse/ keyboard DIN connector for a PS/2® mouse/ keyboard.

► USB 2.0 Port

The USB 2.0 port is for attaching USB 2.0 devices such as keyboard, mouse, or other USB 2.0-compatible devices.

► USB 3.0 Port

USB 3.0 port is backward-compatible with USB 2.0 devices. It supports data transfer rate up to 5 Gbit/s (SuperSpeed).



Important

In order to use USB 3.0 devices, you must connect to a USB 3.0 port. If a USB cable is used, it must be USB 3.0 compliant.

► HDMI Port **HDMI**[™] HIGH-DEFINITION MULTIMEDIA INTERFACE

The High-Definition Multimedia Interface (HDMI) is an all-digital audio-video interface that is capable of transmitting uncompressed streams. HDMI supports all types of TV formats, including standard, enhanced, or high-definition video, plus multi-channel digital audio on a single cable.

► VGA Port

The DB15-pin female connector is provided for monitor.

► DVI-D Port

The DVI-D (Digital Visual Interface- Digital) connector can be connected to a LCD monitor, or a CRT monitor with an adapter. To connect a monitor, please refer to the monitor's manual for more information.



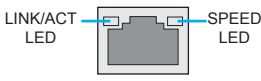
Important

This platform supports dual-display and triple-display function.

	HDMI+VGA	HDMI+DVI	VGA+DVI	HDMI+VGA+DVI
Extend mode (Extend the desktop to the second and third monitor)	○	○	○	○
Clone mode (Monitors have the same screen)	○	○	○	○

► LAN Port

The standard RJ-45 LAN jack is for connecting to a Local Area Network (LAN).

	LED	LED Status	Description
	Link/ Activity LED		Off
		Yellow	Linked
		Blinking	Data activity
Speed LED		Off	10 Mbps connection
		Green	100 Mbps connection
		Orange	1 Gbps connection

► Audio Ports

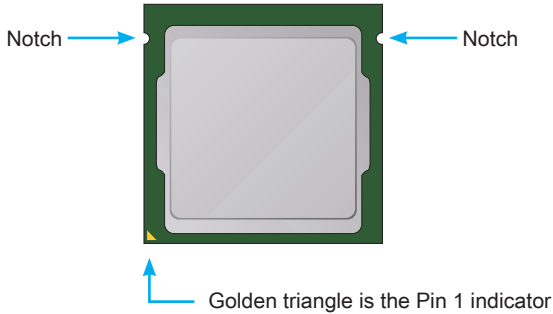
These connectors are used for audio devices. The color of the jack refers to the function of the connector.

- Blue-Line in: Used for connecting external audio outputting devices.
- Green- Line out: Used as a connector for speakers or headphone.
- Pink- Mic: Used as a connector for a microphone.

CPU (Central Processing Unit)

Introduction to the LGA 1150 CPU

The surface of the LGA 1150 CPU has two notches and a golden triangle to assist in correctly lining up the CPU for motherboard placement. The golden triangle is the Pin 1 indicator.



Important

Overheating

Overheating can seriously damage the CPU and motherboard. Always make sure the cooling fans work properly to protect the CPU from overheating. Be sure to apply an even layer of thermal paste (or thermal tape) between the CPU and the heatsink to enhance heat dissipation.

Replacing the CPU

When replacing the CPU, always turn off the system's power supply and unplug the power supply's power cord to ensure the safety of the CPU.

Overclocking

This motherboard is designed to support overclocking. Before attempting to overclock, please make sure that all other system components can tolerate overclocking. Any attempt to operate beyond product specifications is not recommend. MSI does not guarantee the damages or risks caused by inadequate operation beyond product specifications.

CPU & Heatsink Installation

When installing a CPU, always remember to install a CPU heatsink. A CPU heatsink is necessary to prevent overheating and maintain system stability. Follow the steps below to ensure correct CPU and heatsink installation. Wrong installation can damage both the CPU and the motherboard.



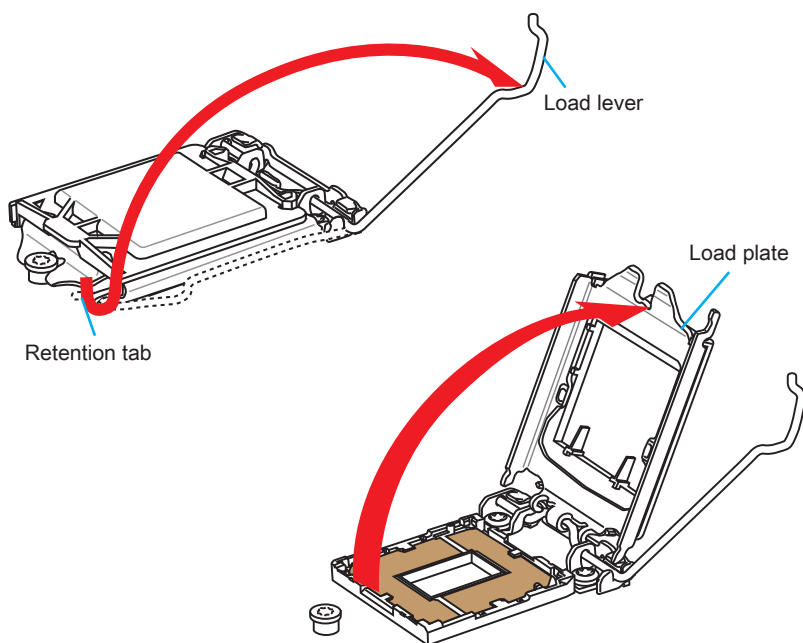
Video Demonstration

Watch the video to learn how to install CPU & heatsink. at the address below.

<http://youtu.be/bf5La099url>



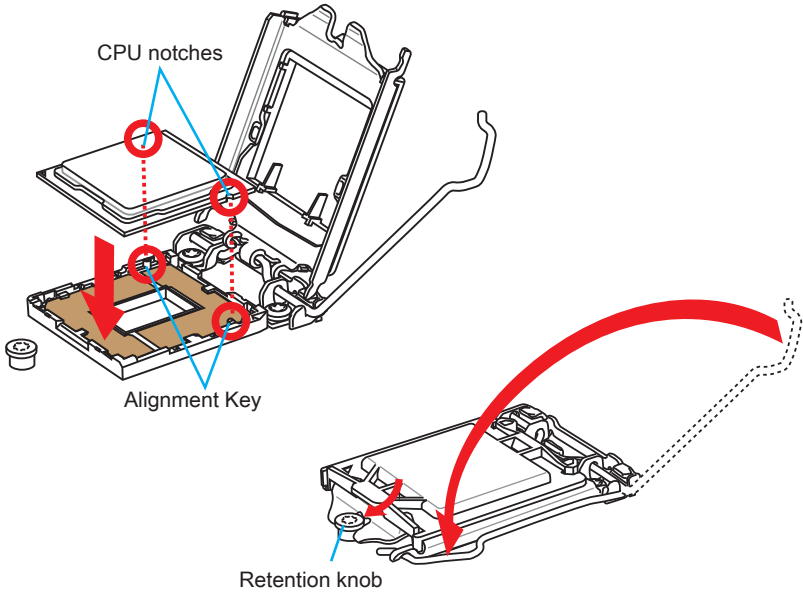
1. Push the load lever down to unclip it and lift to the fully open position.
2. The load plate will automatically lift up as the load lever is pushed to the fully open position.



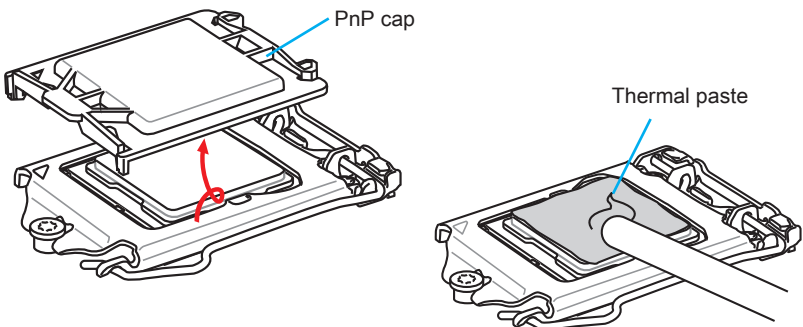
Important

Do not touch the socket contacts or the bottom of the CPU.

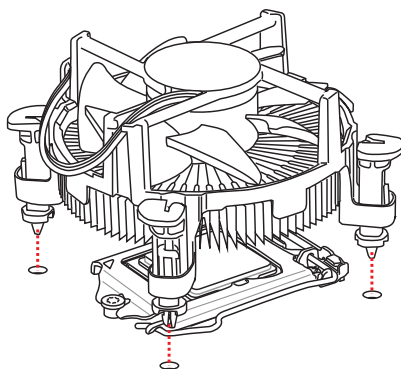
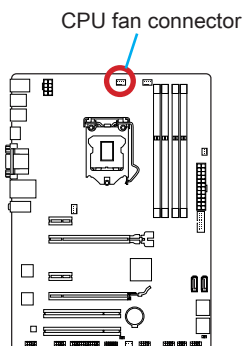
- Align the notches with the socket alignment keys. Lower the CPU straight down, without tilting or sliding the CPU in the socket. Inspect the CPU to check if it is properly seated in the socket.
- Close and slide the load plate under the retention knob. Close and engage the load lever.



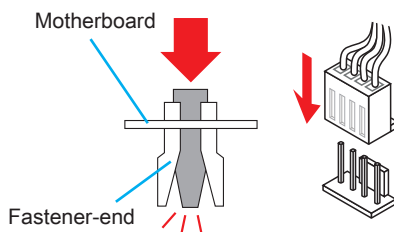
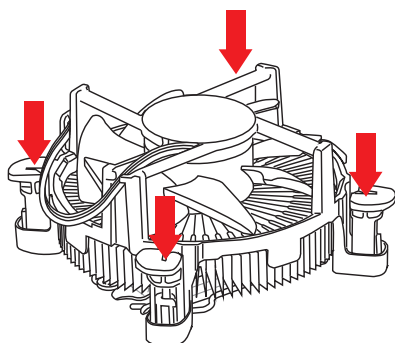
- When you press down the load lever the PnP cap will automatically pop up from the CPU socket. Do not discard the PnP cap. Always replace the PnP cap if the CPU is removed from the socket.
- Evenly spread a thin layer of thermal paste (or thermal tape) on the top of the CPU. This will help in heat dissipation and prevent CPU overheating.



7. Locate the CPU fan connector on the motherboard.
8. Place the heatsink on the motherboard with the fan's cable facing towards the fan connector and the fasteners matching the holes on the motherboard.



9. Push down the heatsink until the four fasteners get wedged into the holes on the motherboard. Press the four fasteners down to fasten the heatsink. As each fastener locks into position a click should be heard.
10. Inspect the motherboard to ensure that the fastener-ends have been properly locked in place.
11. Finally, attach the CPU fan cable to the CPU fan connector on the motherboard.

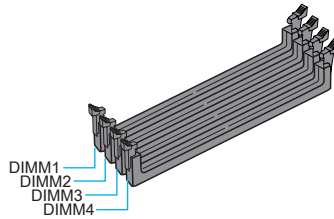
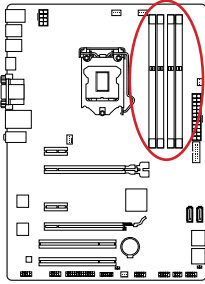


! Important

- Confirm that the CPU heatsink has formed a tight seal with the CPU before booting your system.
- Whenever the CPU is not installed, always protect the CPU socket pins by covering the socket with the plastic cap.
- If you purchased a separate CPU and heatsink/ cooler, Please refer to the documentation in the heatsink/ cooler package for more details about installation.

Memory

These DIMM slots are used for installing memory modules. For more information on compatible components, please visit <http://www.msi.com/service/test-report/>



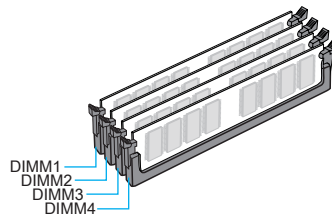
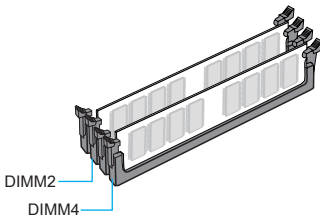
Video Demonstration

Watch the video to learn how to install memories at the address below.
<http://youtu.be/76yLtJaKICQ>



Dual-Channel mode Population Rule

In Dual-Channel mode, the memory modules can transmit and receive data with two data bus channels simultaneously. Enabling Dual-Channel mode can enhance system performance. The following illustrations explain the population rules for Dual-Channel mode.

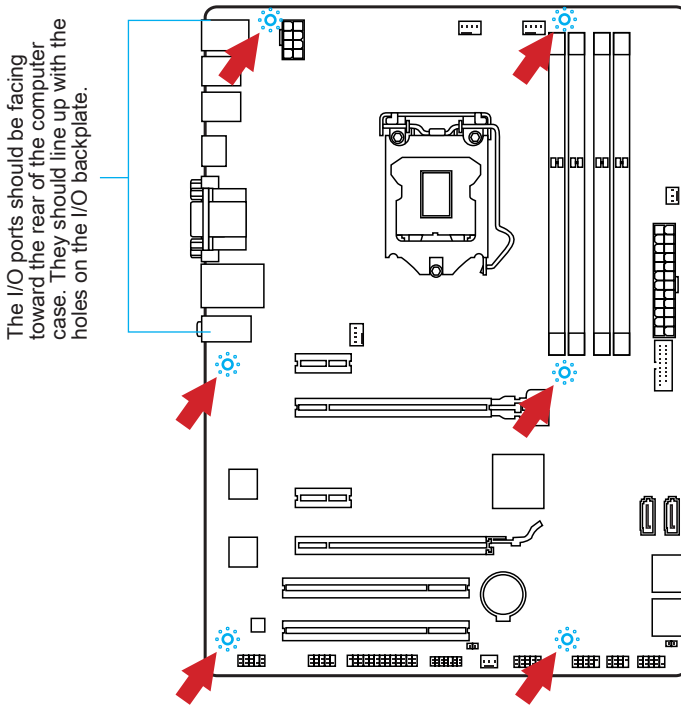


Important

- *DDR3 memory modules are not interchangeable with DDR2, and the DDR3 standard is not backward compatible. Always install DDR3 memory modules in DDR3 DIMM slots.*
- *To ensure system stability, memory modules must be of the same type and density in Dual-Channel mode.*
- *Due to chipset resource usage, the system will only detect up to 31+ GB of memory (not full 32 GB) when all DIMM slots have 8GB memory modules installed.*

Mounting Screw Holes

When installing the motherboard, first install the necessary mounting stands required for an motherboard on the mounting plate in your computer case. If there is an I/O back plate that came with the computer case, please replace it with the I/O backplate that came with the motherboard package. The I/O backplate should snap easily into the computer case without the need for any screws. Align the mounting plate's mounting stands with the screw holes on the motherboard and secure the motherboard with the screws provided with your computer case. The locations of the screw holes on the motherboard are shown below. For more information, please refer to the manual that came with the computer case.



Important

- Install the motherboard on a flat surface free from unnecessary debris.
- To prevent damage to the motherboard, any contact between the motherboard circuitry and the computer case, except for the mounting stands, is prohibited.
- Please make sure there are no loose metal components on the motherboard or within the computer case that may cause a short circuit of the motherboard.

Power Supply



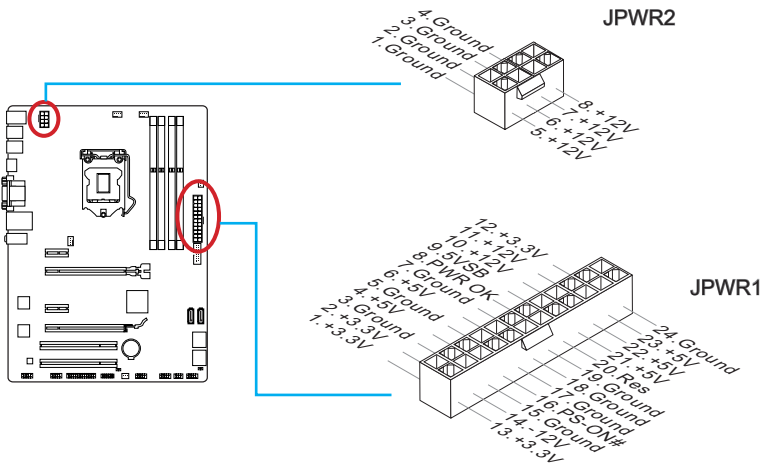
Video Demonstration

Watch the video to learn how to install power supply connectors.
http://youtu.be/gkDYyR_83l4



JPWR1~2: ATX Power Connectors

These connectors allow you to connect an ATX power supply. To connect the ATX power supply, align the power supply cable with the connector and firmly press the cable into the connector. If done correctly, the clip on the power cable should be hooked on the motherboard's power connector.



Important

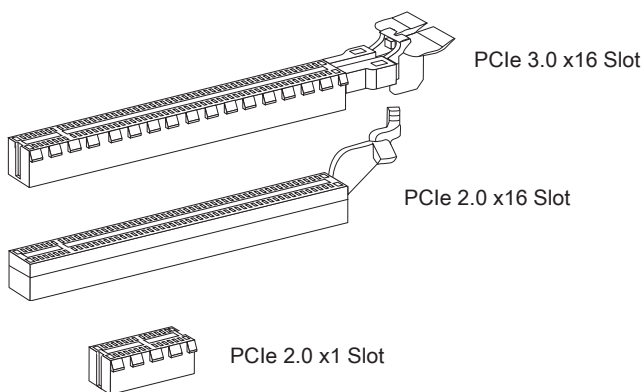
Make sure that all the power cables are securely connected to a proper ATX power supply to ensure stable operation of the motherboard.

Expansion Slots

This motherboard contains numerous slots for expansion cards, such as discrete graphics or audio cards.

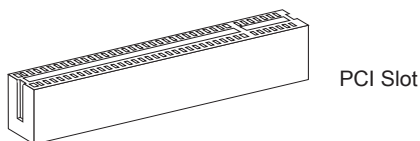
PCI_E1~4: PCIe Expansion Slots

The PCIe slot supports the PCIe interface expansion card.



PCI1~2: PCI Expansion Slots

The PCI slot supports the PCI interface expansion card..



Important

When adding or removing expansion cards, always turn off the power supply and unplug the power supply power cable from the power outlet. Read the expansion card's documentation to check for any necessary additional hardware or software changes.

Video/ Graphics Cards

If available, this motherboard takes advantage of the CPU's integrate graphics processor, but discrete video cards can be installed by way of the motherboard's expansion slots. Adding on one or more discrete video cards will significantly boost the system's graphics performance. For best compatibility, MSI graphics cards are recommended.



Video Demonstration

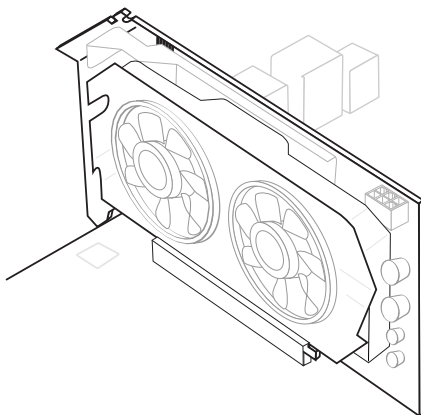
Watch the video to learn how to install a graphics card on PCIe x16 slot with butterfly lock.

http://youtu.be/mG0GZpr9w_A



Single Video Card Installation

1. Determine what type of expansion slot(s) the video card will use. Locate the expansion slot(s) on the motherboard. Remove any protective expansion slot covers from the computer case.
2. Line up the video card on top of the expansion slot(s) with the display ports facing out of the computer case. For a single video card installation, using the PCI_E2 slot is recommended.
3. Push the video card into its expansion slot(s). Depending on the expansion slot(s) used, there should be clip(s) on the expansion slot(s) that will lock in place.
4. If needed, screw the edge of the graphics card to the computer case. Some video cards might require a power cable directly from the power supply.
5. Please consult your video card's manual for further instructions regarding driver installation or other special settings.



Internal Connectors

SATA1~6: SATA Connectors

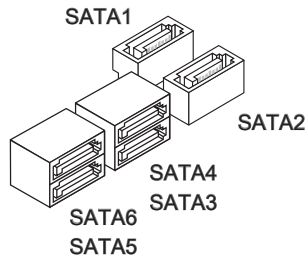
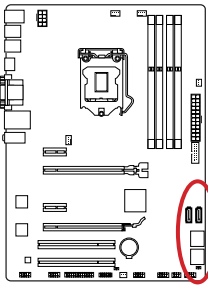
This connector is a high-speed SATA interface port. Each connector can connect to one SATA device. SATA devices include disk drives (HDD), solid state drives (SSD), and optical drives (CD/ DVD/ Blu-Ray).



Video Demonstration

Watch the video to learn how to Install SATA HDD.

<http://youtu.be/RZsMpqxyc>



For Z87-G41 PC Mate/ H87-G41 PC Mate

- SATA1~6 (6Gb/s, by Intel® Z87/ H87)

For B85-G41 PC Mate

- SATA1, SATA2, SATA3, SATA4 (6Gb/s, by Intel® B85)

- SATA5, SATA6 (3Gb/s, by Intel® B85)

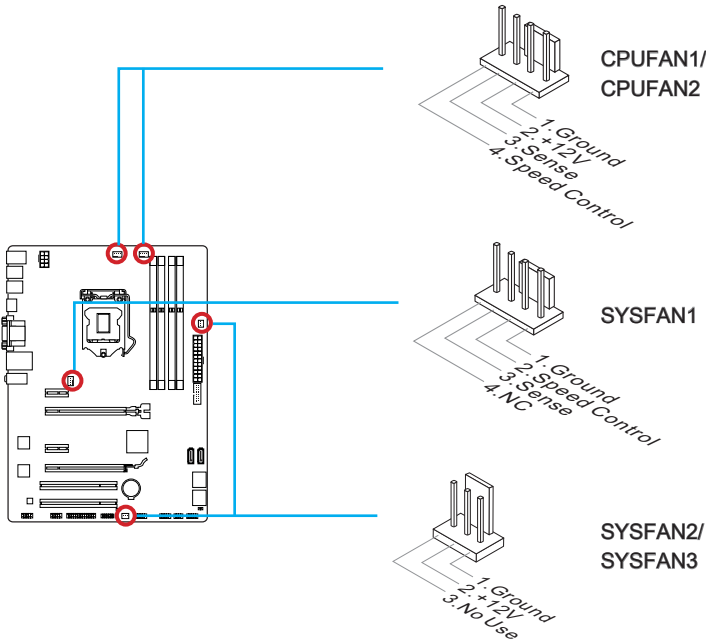


Important

- Many SATA devices also need a power cable from the power supply. Such devices include disk drives (HDD), solid state drives (SSD), and optical drives (CD / DVD / Blu-Ray). Please refer to the device's manual for further information.
- Many computer cases also require that large SATA devices, such as HDDs, SSDs, and optical drives, be screwed down into the case. Refer to the manual that came with your computer case or your SATA device for further installation instructions.
- Please do not fold the SATA cable at a 90-degree angle. Data loss may result during transmission otherwise.
- SATA cables have identical plugs on either sides of the cable. However, it is recommended that the flat connector be connected to the motherboard for space saving purposes.

CPUFAN1~2,SYSFAN1~3: Fan Power Connectors

The fan power connectors support system cooling fans with +12V. If the motherboard has a System Hardware Monitor chipset on-board, you must use a specially designed fan with a speed sensor to take advantage of the CPU fan control. Remember to connect all system fans. Some system fans may not connect to the motherboard and will instead connect to the power supply directly. A system fan can be plugged into any available system fan connector.



Important

- Please refer to your processor's official website or consult your vendor to find recommended CPU heatsink.
- These connectors support Smart Fan Control with liner mode. The Command Center utility can be installed to automatically control the fan speeds according to the CPU's and system's temperature.
- If there are not enough ports on the motherboard to connect all system fans, adapters are available to connect a fan directly to a power supply.
- Before first boot up, ensure that there are no cables impeding any fan blades.

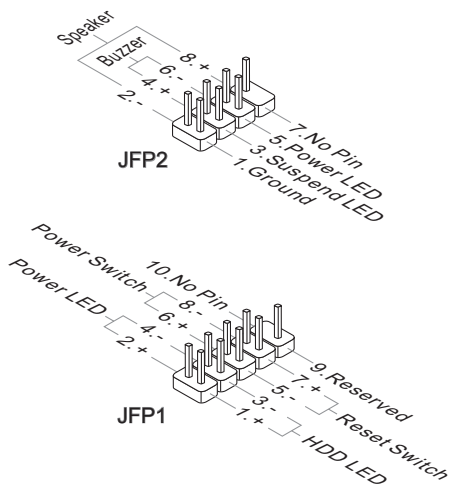
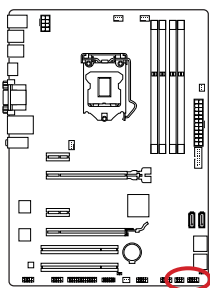
JFP1, JFP2: System Panel Connectors

These connectors connect to the front panel switches and LEDs. The JFP1 connector is compliant with the Intel® Front Panel I/O Connectivity Design Guide. When installing the front panel connectors, please use the optional M-Connector to simplify installation. Plug all the wires from the computer case into the M-Connector and then plug the M-Connector into the motherboard.

Video Demonstration

Watch the video to learn how to Install front panel connectors.

<http://youtu.be/DPELIdVNZUI>

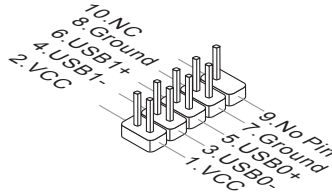
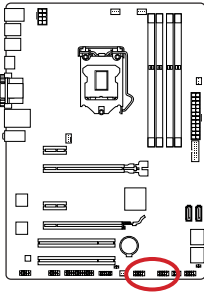


Important

- On the connectors coming from the case, pins marked by small triangles are positive wires. Please use the diagrams above and the writing on the optional M-Connectors to determine correct connector orientation and placement.
- The majority of the computer case's front panel connectors will primarily be plugged into JFP1.

JUSB1~2: USB 2.0 Expansion Connectors

This connector is designed for connecting high-speed USB peripherals such as USB HDDs, digital cameras, MP3 players, printers, modems, and many others.

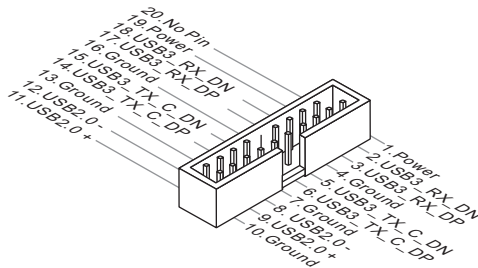
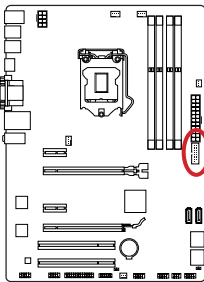


Important

Note that the VCC and GND pins must be connected correctly to avoid possible damage.

JUSB3: USB 3.0 Expansion Connector

The USB 3.0 port is backwards compatible with USB 2.0 devices. It supports data transfer rates up to 5Gbits/s (SuperSpeed).

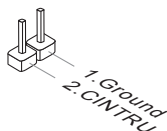
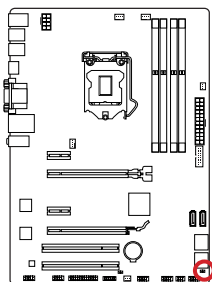


Important

- Note that the VCC and GND pins must be connected correctly to avoid possible damage.
- To use a USB 3.0 device, you must connect the device to a USB 3.0 port through an optional USB 3.0 compliant cable.

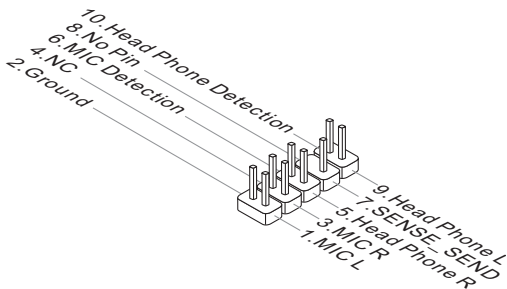
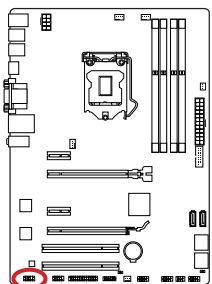
JCI1: Chassis Intrusion Connector

This connector connects to the chassis intrusion switch cable. If the computer case is opened, the chassis intrusion mechanism will be activated. The system will record this intrusion and a warning message will flash on screen. To clear the warning, you must enter the BIOS utility and clear the record.



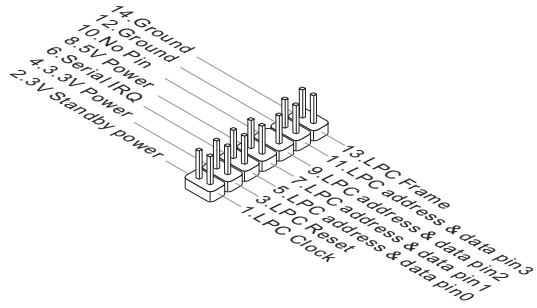
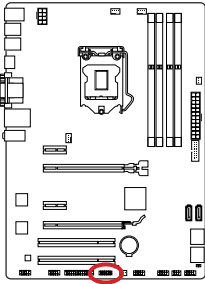
JAUD1: Front Panel Audio Connector

This connector allows you to connect the front audio panel located on your computer case. This connector is compliant with the Intel® Front Panel I/O Connectivity Design Guide.



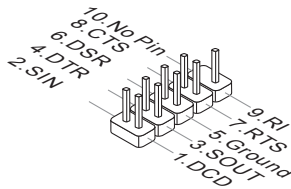
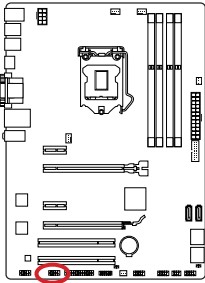
JTPM1: TPM Module Connector

This connector connects to a TPM (Trusted Platform Module). Please refer to the TPM security platform manual for more details and usages.



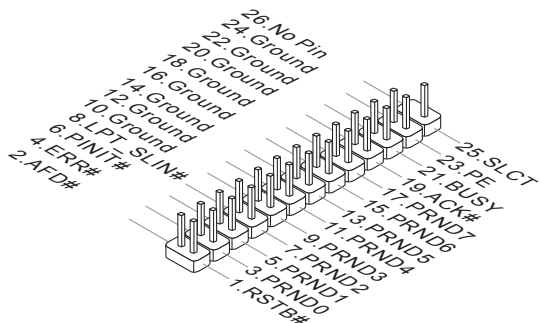
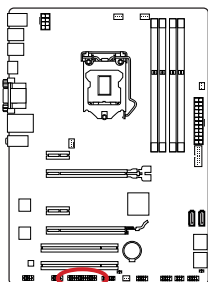
JCOM1: Serial Port Connector

This connector is a 16550A high speed communication port that sends/receives 16 bytes FIFOs. You can attach a serial device.



JLPT1: Parallel Port Connector

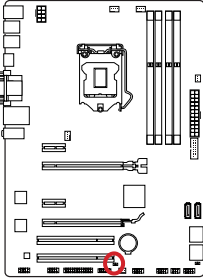
This connector is used to connect an optional parallel port bracket. The parallel port is a standard printer port that supports Enhanced Parallel Port (EPP) and Extended Capabilities Parallel Port (ECP) mode.



Jumpers

JBAT1: Clear CMOS Jumper

There is CMOS RAM onboard that is external powered from a battery located on the motherboard to save system configuration data. With the CMOS RAM, the system can automatically boot into the operating system (OS) every time it is turned on. If you want to clear the system configuration, set the jumpers to clear the CMOS RAM.



Important

You can clear the CMOS RAM by shorting this jumper while the system is off. Afterwards, open the jumper. Do not clear the CMOS RAM while the system is on because it will damage the motherboard.

Drivers and Utilities

After you install the operating system you will need to install drivers to maximize the performance of the new computer you just built. MSI motherboard comes with a Driver Disc. Drivers allow the computer to utilize your motherboard more efficiently and take advantage of any special features we provide.

You can protect your computer from viruses by installing the bundled security program. The bundle also includes a variety of powerful and creative utilities.

Total Installer

Total Installer is very easy to use and does a great job of finding necessary drivers. Please follow the steps below to install drivers and utilities for your new computer.

1. Insert MSI Driver Disc into the optical drive. The setup screen will automatically appear if autorun is enabled in OS.
2. Click Total Installer. A popup dialogue will appear listing all necessary drivers.



Click here

3. Select all checkbox on driver listing dialog.
4. Click **Install** button.
5. The software installation will then be in progress, after it has finished it will prompt you to restart.
6. Click **OK** button to finish.
7. Restart your computer.

You can also use the same method to install the utilities.

BIOS Setup

CLICK BIOS is developed by MSI that provides a graphical user interface for setting parameters of BIOS by using the mouse and the keyboard.

With the CLICK BIOS, users can change BIOS settings, monitor CPU temperature, select the boot device priority and view system information such as the CPU name, DRAM capacity, the OS version and the BIOS version. Users can import and export parameters data for backup or sharing with friends.

Entering BIOS Setup

Power on the computer and the system will start the Power On Self Test (POST) process. When the message below appears on the screen, please key to enter BIOS:

Press DEL key to enter Setup Menu, F11 to enter Boot Menu

If the message disappears before you respond and you still need to enter BIOS, restart the system by turning the computer OFF then back ON or pressing the RESET button. You may also restart the system by simultaneously pressing <Ctrl>, <Alt>, and <Delete> keys.

MSI additionally provides two methods to enter the BIOS setup. You can click the "GO2BIOS" tab on "MSI Fast Boot" utility screen or press the physical "GO2BIOS" button (optional) on the motherboard to enable the system going to BIOS setup directly at next boot.



Click "GO2BIOS" tab on "MSI Fast Boot" utility screen.

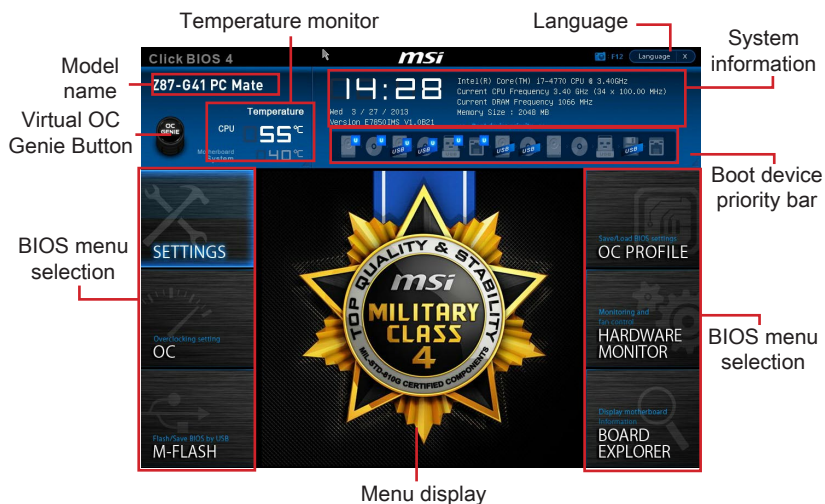


Important

- Please be sure to install the "MSI Fast Boot" utility before using it to enter the BIOS setup.
- The items under each BIOS category described in this chapter are under continuous update for better system performance. Therefore, the description may be slightly different from the latest BIOS and should be held for reference only.

Overview

After entering BIOS, the following screen is displayed.



► Temperature monitor

Shows the temperatures of the processor and the motherboard.

► Language

Allows you to select the language of the BIOS setup.

► System information

Shows the time, date, CPU name, CPU frequency, DRAM frequency, DRAM capacity and the BIOS version.

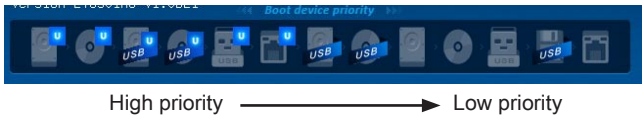
► BIOS menu selection

The following options are available:

- **SETTINGS** - Uses this menu to specify the parameters for chipset and boot devices.
- **OC** - This menu contains the frequency and voltage adjustments. Increasing the frequency can get better performance, however high frequency and heat can cause instability, we do not recommend general users to overclock.
- **M-FLASH** - This menu provides the way to update BIOS with a USB flash disk.
- **OC PROFILE** - This menu is used to set various overclocking profiles.
- **HARDWARE MONITOR** - This menu is used to set the speeds of fans and monitor voltages of system.
- **BOARD EXPLORER** - It will provide the information of the installed devices on the motherboard.

▶ Boot device priority bar

You can move the device icons to change the boot priority.



▶ Menu display

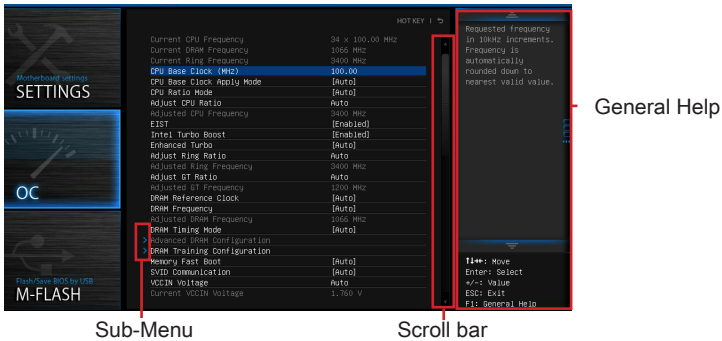
This area provides BIOS settings and information to be configured.

▶ Virtual OC Genie Button

Enables or disables the OC Genie function by clicking on this button. When enabled, this button will be light. Enabling OC Genie function can automatically overclock with MSI optimized overclocking profile.

▶ Model Name

Shows the model name of motherboard.



▶ Sub-menu

If you find a point symbol to the left of certain items, that means a sub-menu can be launched for additional options. You can use the arrow keys or mouse to highlight the item and press <Enter> or double-click the left mouse button to enter the sub-menu.

▶ Scroll bar




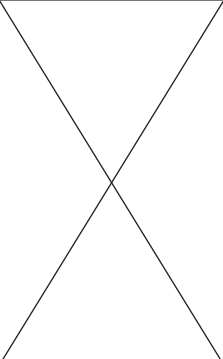
Slide the scroll bar or use the arrow keys to display the other items that are available on the "menu display" area.

▶ General Help

The General Help displays a brief description to assist you in grasping the selected item.

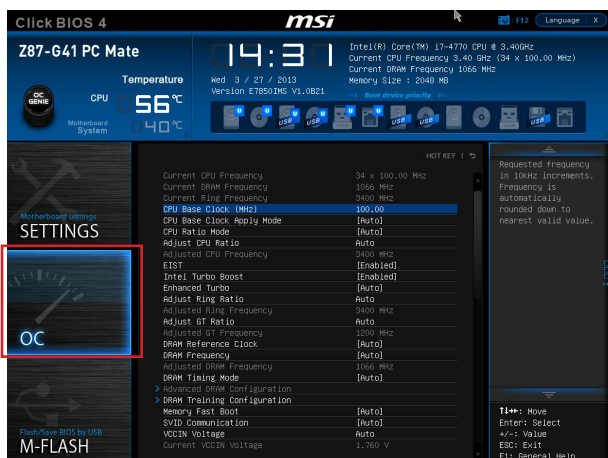
Operation

You can control BIOS settings with the mouse and the keyboard. The following table lists and describes the hot keys and the mouse operations.

Hot key	Mouse	Description
<↑↓→←>	 Move the cursor	Select Item
<Enter>	 Click/ Double-click the left button	Select Icon/ Field
<Esc>	 Click the right button	Jump to the Exit menu or return to the previous from a submenu
<+>		Increase the numeric value or make changes
<->		Decrease the numeric value or make changes
<F1>		General Help
<F4>		CPU Specifications
<F5>		Enter Memory-Z
<F6>		Load optimized defaults
<F8>		OC Profile Load From USB
<F9>		OC Profile Save to USB
<F10>		Save Change and Reset
<F12>		Save a screenshot to a FAT/FAT32 USB drive

OC Menu

This menu is for advanced users who want to overclock the mainboard.



Important

- *Overclocking your PC manually is only recommended for advanced users.*
- *Overclocking is not guaranteed, and if done improperly, can void your warranty or severely damage your hardware.*
- *If you are unfamiliar with overclocking, we advise you to use OC Genie for easy overclocking.*

► **Current CPU/ DRAM/ Ring Frequency**

These items show the current frequencies of installed CPU, Memory and Ring. Read-only.

► **CPU Base Clock (MHz) [Default]**

Sets the CPU Base clock. You may overclock the CPU by adjusting this value. Please note that overclocking behavior and stability is not guaranteed. This item appears when the installed processor supports this function.

► **Current CPU Base Clock Strap (for Z87-G41 PC Mate)**

Shows the current CPU Base Clock Strap. Read only. This item can only be changed if the processor supports this function.

► **Adjust CPU Base Clock Strap [Auto]**

Sets the CPU Base Clock Strap. You may overclock the CPU Base Clock by adjusting this value. Please note that overclocking behavior and stability is not guaranteed. This item can only be changed if the processor supports this function. If set to "Auto", BIOS will configure this setting automatically. [Options: Auto, 1.00, 1.25, 1.67]

► **CPU Base Clock Apply Mode [Auto]**

Sets the applying mode for adjusted CPU base clock.

[Auto] This setting will be configured automatically by BIOS.

[Next Boot] CPU will run the adjusted CPU base clock after reboot.

[Immediate] CPU runs the adjusted CPU base clock immediately.

▶ CPU Ratio Mode [Auto]

Selects the CPU Ratio operating mode.

[Auto] This setting will be configured automatically by BIOS.

[Fixed Mode] Fixes the CPU ratio.

[Dynamic Mode] CPU ratio will be changed dynamically according to the CPU loading.

▶ Adjust CPU Ratio [Auto]

Sets the CPU ratio that is used to determine CPU clock speed. This item can only be changed if the processor supports this function.

▶ Adjusted CPU Frequency

Shows the adjusted CPU frequency. Read-only.

▶ EIST [Enabled]

Enables or disables the Enhanced Intel® SpeedStep Technology.

▶ Intel Turbo Boost [Enabled]

Enables or disables the Intel® Turbo Boost. This item appears when the installed CPU supports this function.

[Enabled] Enables this function to boost CPU performance automatically above rated specifications when system request the highest performance state.

[Disabled] Disables this function.

▶ Enhanced Turbo [Auto]

Enables or disables Enhanced Turbo function for all CPU cores to boost CPU performance.

[Auto] This setting will be configured automatically by BIOS.

[Enabled] All CPU cores would be increased to maximum turbo ratio.

[Disabled] Disables this function.

▶ OC Genie Switch [Gear1]

Selects a kind of overclocking profiles for OC Genie Function. This item appears when "OC Genie Function Control" sets to [By BIOS Options].

[Gear1] Enables Gear1 overclocking profile for overclocking.

[Gear2] Enables Gear2 overclocking profile for extreme overclocking.

Important

- We recommend that you do not to make any modification in OC menu and do not to load defaults after enabling the OC Genie function.
- Updating BIOS or clearing CMOS is not allowed in OC Genie mode, and it may cause OC Genie function fail or other effect.

▶ Adjust Ring Ratio [Auto]

Sets the ring ratio. The valid value range depends on the installed CPU.

► **Adjusted Ring Frequency**

Shows the adjusted Ring frequency. Read-only.

► **Adjust GT Ratio [Auto]**

Sets the integrated graphics ratio. The valid value range depends on the installed CPU.

► **Adjusted GT Frequency**

Shows the adjusted integrated graphics frequency. Read-only.

► **DRAM Reference Clock [Auto]**

Sets the DRAM reference clock. The valid value range depends on the installed CPU. This item appears when a CPU that supports this adjustment is installed.

► **DRAM Frequency [Auto]**

Sets the DRAM frequency. Please note the overclocking behavior is not guaranteed.

► **Adjusted DRAM Frequency**

Shows the adjusted DRAM frequency. Read-only.

► **Extreme Memory Profile (X.M.P) [Disabled]**

X.M.P. (Extreme Memory Profile) is the overclocking technology by memory module. This item will be available when you install the memory modules that support X.M.P. technology.

[Disabled] Disables this function.

[Profile 1] Uses profile1 over-clocking settings of installed XMP memory module.

[Profile 2] Uses profile2 over-clocking settings of installed XMP memory module.

► **DRAM Timing Mode [Auto]**

Selects the memory timing mode.

[Auto] DRAM timings will be determined based on SPD (Serial Presence Detect) of installed memory modules.

[Link] Allows user to configure the DRAM timing manually for all memory channel.

[UnLink] Allows user to configure the DRAM timing manually for respective memory channel.

► **Advanced DRAM Configuration**

Press <Enter> to enter the sub-menu. This sub-menu will be activated after setting [Link] or [Unlink] in "DRAM Timing Mode". User can set the memory timing for each memory channel. The system may become unstable or unbootable after changing memory timing. If it occurs, please clear the CMOS data and restore the default settings. (Refer to the Clear CMOS jumper/ button section to clear the CMOS data, and enter the BIOS to load the default settings.)

► **DRAM Training Configuration**

Press <Enter> to enter the sub-menu. Enables or disables the various training ways of DRAM. The system may become unstable or unbootable after changing these items in this sub-menu. If it occurs, please clear the CMOS data and restore the default settings. (Refer to the Clear CMOS jumper/ button section to clear the CMOS data, and enter the BIOS to load the default settings.)

▶ Memory Fast Boot [Auto]

Enables or disables the initiation and training for memory every booting.

[Auto] This setting will be configured automatically by BIOS.

[Enabled] Memory will completely imitate the archive of first initiation and first training. After that, the memory will not be initialed and trained when booting to accelerate the system booting time.

[Disabled] The memory will be initialed and trained every booting.

▶ SVID Communication [Auto]

Enables or disables SVID (Serial Voltage Identification) support.

[Auto] This setting will be configured automatically by BIOS.

[Enabled] PWM phase will be changed dynamically according to the CPU SVID (Serial Voltage Identification).

[Disabled] Disables SVID (Serial Voltage Identification) support.

▶ VCCIN Voltage [Auto]

Sets the CPU input voltage. The CPU input voltage is the CPU power source that is shared with components of the CPU.

▶ Current VCCIN Voltage

Shows current CPU VCCIN voltage. Read-only.

▶ CPU Core Voltage Mode/ CPU Ring Voltage Mode/ CPU GT Voltage Mode [Auto]

Selects the control modes for these voltages.

[Auto] This setting will be configured automatically by BIOS.

[Adaptive Mode] Sets adaptive voltages automatically for optimizing the system performance.

[Override Mode] Allows you to set these voltages manually.

▶ CPU Core Voltage/ CPU Ring Voltage/ CPU GT Voltage [Auto]

Sets these voltages. If set to "Auto", BIOS will set these voltages automatically or you can set it manually.

▶ CPU Core Voltage Offset Mode/ CPU Ring Voltage Offset Mode/ CPU GT Voltage Offset Mode/ CPU SA Voltage Offset Mode/ CPU IO Analog Voltage Offset Mode/ CPU IO Digital Voltage Offset Mode [Auto]

Selects the voltage offset modes.

[Auto] This setting will be configured automatically by BIOS.

[+] Allows you to set the positive offset voltage.

[-] Allows you to set the negative offset voltage.

▶ CPU Core Voltage Offset/ CPU Ring Voltage Offset/ CPU GT Voltage Offset/ CPU SA Voltage Offset/ CPU IO Analog Voltage Offset/ CPU IO Digital Voltage Offset [Auto]

Set the offset values for these voltages.

▶ Current CPU Core Voltage/ Current CPU Ring Voltage/ Current CPU GT Voltage/ Current CPU SA Voltage/ Current CPU IO Digital Voltage

Show the current voltages. Read-only.

► Internal VR OVP OCP Protection [Auto]

Enables or disables the over-voltage protection and over-current protection for CPU internal VR (Voltage Regulator).

[Auto] This setting will be configured automatically by BIOS.

[Enabled] Sets the voltage limit on the CPU internal VR for over-voltage protection and over-current protection.

[Disabled] Disables this function for overclocking.

► Internal VR Efficiency Management [Auto]

Enables or disables the CPU internal VR efficiency management.

[Auto] This setting will be configured automatically by BIOS.

[Enabled] Enables the VR efficiency management for power-saving control.

[Disabled] Disables this function.

► DRAM Voltage [Auto]

Sets the memory voltage. If set to "Auto", BIOS will set memory voltage automatically or you can set it manually.

► Current DRAM Voltage

Shows current memory voltage. Read only.

► CPU Memory Changed Detect [Enabled]

Enables or disables the system to issue a warning message during boot when the CPU or memory has been replaced.

[Enabled] The system will issue a warning message during boot and then needs to load the default settings for new devices.

[Disabled] Disables this function and keeps the current BIOS settings.

► Spread Spectrum

This function reduces the EMI (Electromagnetic Interference) generated by modulating clock generator pulses.

[Enabled] Enables the spread spectrum function to reduce the EMI (Electromagnetic Interference) problem.

[Disabled] Enhances the overclocking ability of CPU Base clock.



Important

- *If you do not have any EMI problem, leave the setting at [Disabled] for optimal system stability and performance. But if you are plagued by EMI, select the value of Spread Spectrum for EMI reduction.*
- *The greater the Spread Spectrum value is, the greater the EMI is reduced, and the system will become less stable. For the most suitable Spread Spectrum value, please consult your local EMI regulation.*
- *Remember to disable Spread Spectrum if you are overclocking because even a slight jitter can introduce a temporary boost in clock speed which may just cause your overclocked processor to lock up.*

► CPU Specifications

Press <Enter> to enter the sub-menu. This sub-menu displays the information of installed CPU. You can also access this information menu at any time by pressing [F4]. Read only.

► CPU Technology Support

Press <Enter> to enter the sub-menu. The sub-menu shows what the key features does the installed CPU support. Read only.

► MEMORY-Z

Press <Enter> to enter the sub-menu. This sub-menu displays all the settings and timings of installed memory. You can also access this information menu at any time by pressing [F5].

► DIMM1~4 Memory SPD

Press <Enter> to enter the sub-menu. The sub-menu displays the information of installed memory. Read only.

► CPU Features

Press <Enter> to enter the sub-menu.

► Hyper-Threading Technology [Enabled]

The processor uses Hyper-Threading technology to increase transaction rates and reduces end-user response times. Intel Hyper-Threading technology treats the multi cores inside the processor as multi logical processors that can execute instructions simultaneously. In this way, the system performance is highly improved.

[Enable] Enables Intel Hyper-Threading technology.

[Disabled] Disables this item if the system does not support HT function.

► Active Processor Cores [All]

This item allows you to select the number of active processor cores.

► Limit CPUID Maximum [Disabled]

Enables or disables the extended CPUID value.

[Enabled] BIOS will limit the maximum CPUID input value to circumvent boot problems with older operating system that do not support the processor with extended CPUID value.

[Disabled] Use the actual maximum CPUID input value.

► Execute Disable Bit [Enabled]

Intel's Execute Disable Bit functionality can prevent certain classes of malicious "buffer overflow" attacks where worms attempt to execute code to damage the system. It is recommended that keeps this item enabled always.

[Enabled] Enables NO-Execution protection to prevent the malicious attacks and worms.

[Disabled] Disables this function.

► Intel Virtualization Tech [Enabled]

Enables or disables Intel Virtualization technology.

[Enabled] Enables Intel Virtualization technology and allows a platform to run multiple operating systems in independent partitions. The system can function as multiple systems virtually.

[Disabled] Disables this function.

► **Hardware Prefetcher [Enabled]**

Enables or disables the hardware prefetcher (MLC Streamer prefetcher).

[Enabled] Allows the hardware prefetcher to automatically pre-fetch data and instructions into L2 cache from memory for tuning the CPU performance.

[Disabled] Disables the hardware prefetcher.

► **Adjacent Cache Line Prefetch [Enabled]**

Enables or disables the CPU hardware prefetcher (MLC Spatial prefetcher).

[Enabled] Enables adjacent cache line prefetching for reducing the cache latency time and tuning the performance to the specific application.

[Disabled] Enables the requested cache line only.

► **CPU AES Instructions [Enabled]**

Enables or disables the CPU AES (Advanced Encryption Standard-New Instructions) support. This item appears when a CPU supports this function.

[Enabled] Enables Intel AES support.

[Disabled] Disables Intel AES support.

► **Intel Adaptive Thermal Monitor [Enabled]**

Enables or disables the Intel adaptive thermal monitor function to protect the CPU from overheating.

[Enabled] Throttles down the CPU core clock speed when the CPU is over the adaptive temperature.

[Disabled] Disables this function.

► **Intel C-State [Auto]**

C-state is a processor power management technology defined by ACPI.

[Auto] This setting will be configured automatically by BIOS.

[Enabled] Detects the idle state of system and reduce CPU power consumption accordingly.

[Disabled] Disable this function.

► **C1E Support [Disabled]**

Enables or disables the C1E function for power-saving in halt state. This item appears when "Intel C-State" is enabled.

[Enabled] Enables C1E function to reduce the CPU frequency and voltage for power-saving in halt state.

[Disabled] Disables this function.

► **Package C State limit [Auto]**

This item allows you to select a CPU C-state mode for power-saving when system is idle. This item appears when "Intel C-State" is enabled.

[Auto] This setting will be configured automatically by BIOS.

[C0~C7s] The power-saving level from high to low is C7s, C7, C6, C3, C2, then C0.

[No limit] No C-state limit for CPU.

► **LakeTiny Feature [Disabled]**

Enables or disables Intel Lake Tiny feature with iRST for SSD. This item appears when a installed CPU supports this function and "Intel C-State" is enabled.

[Enabled] Enhance the dynamic IO load adjusted performance for accelerating the SSD speed.

[Disabled] Disables this feature.

Note: The following items will appear when "Intel Turbo Boost " is enabled.

► **Long Duration Power Limit (W) [Auto]**

Sets the long duration TDP power limit for CPU in Turbo Boost mode.

► **Long Duration Maintained (s) [Auto]**

Sets the maintaining time for "Long duration power Limit(W)".

► **Short Duration Power Limit (W) [Auto]**

Sets the short duration TDP power limit for CPU in Turbo Boost mode.

► **CPU Current limit (A) [Auto]**

Sets maximum current limit of CPU package in Turbo Boost mode. When the current is over the specified limit value, the CPU will automatically reduce the core frequency for reducing the current.

► **1/2/3/4-Core Ratio Limit [Auto]**

These items only appear when a CPU that support this function is installed. These items allow you to set the CPU ratios for different number of active cores in turbo boost mode. These items appear when the installed processor supports this function.

한국어

Z87-G41 PC Mate/ H87-G41 PC Mate/ B85-G41 PC Mate 시리즈 (MS-7850 v1.X) ATX 메인보드를 선택해 주셔서 감사합니다. Z87-G41 PC Mate/ H87-G41 PC Mate/ B85-G41 PC Mate 시리즈 메인보드는 최적의 효율을 위해 Intel® Z87/ H87/ B85 칩셋에 기반을 둔 제품입니다. 고급 Intel® LGA1150 프로세서에 적합하게 디자인된 Z87-G41 PC Mate/ H87-G41 PC Mate/ B85-G41 PC Mate 시리즈는 고성능과 전문적인 데스크톱 플랫폼 솔루션을 제공합니다.

메인보드 사양

지원되는 CPU	<ul style="list-style-type: none"> ■ LGA 1150 소켓을 사용한 4세대 Intel® Core™ i7 / Core™ i5 / Core™ i3 / Pentium® / Celeron® 프로세서를 지원합니다.
칩셋	<ul style="list-style-type: none"> ■ Intel® Z87/ H87/ B85 Express 칩셋
지원되는 메모리	<ul style="list-style-type: none"> ■ DDR3 메모리 슬롯 4개, 최대 32GB 지원 ■ Z87-G41 PC Mate 시리즈는 DDR3 3000(OC)/ 2800(OC)/ 2666(OC)/ 2600(OC)/ 2400(OC)/ 2200(OC)/ 2133(OC)/ 2000(OC)/ 1866(OC)/ 1600/ 1333/ 1066 MHz 지원 ■ H87-G41 PC Mate와 B85-G41 PC Mate 시리즈는 DDR3 1600/ 1333/ 1066 MHz 지원 ■ 듀얼 채널 메모리 지원 ■ non-ECC, un-buffered 메모리 지원 ■ Intel® Extreme Memory Profile (XMP) 지원
확장 슬롯	<ul style="list-style-type: none"> ■ PCIe x16 슬롯 2개 <ul style="list-style-type: none"> - PCI_E2는 PCIe 3.0 지원 - PCI_E4는 PCIe 2.0 지원 - x16, x4/x4 모드 지원 ■ PCIe 2.0 x1 슬롯 2개 ■ PCI 슬롯 2개
온보드 그래픽	<ul style="list-style-type: none"> ■ VGA 포트 1개, 최대 1920x1200 @ 60Hz, 24bpp 해상도 지원 ■ DVI-D 포트 1개, 최대 1920x1200 @ 60Hz, 24bpp 해상도 지원 ■ HDMI 포트 1개, 최대 4096x2160@24Hz, 24bpp/ 2560x1600@60Hz, 24bpp/ 1920x1080@60Hz, 36bpp 해상도 지원
지원되는 멀티 GPU	<ul style="list-style-type: none"> ■ AMD CrossFire™ Technology 지원
스토리지	<ul style="list-style-type: none"> ■ Z87-G41 PC Mate/ H87-G41 PC Mate <ul style="list-style-type: none"> - Intel Z87/ H87 Express 칩셋 - SATA 6Gb/s 포트 6개 (SATA1~6) - RAID 0, RAID1, RAID 5 및 RAID 10 지원 - Intel Smart Response Technology, Intel Rapid Start Technology 및 Intel Smart Connect Technology 지원* ■ B85-G41 PC Mate <ul style="list-style-type: none"> - Intel B85 Express 칩셋 - SATA 6Gb/s 포트 4개 (SATA1, SATA2, SATA3, SATA4) - SATA 3Gb/s 포트 2개 (SATA5, SATA6) - Intel Smart Connect Technology 지원* <p>* Windows 7 및 Windows 8 운영 체제에서 인텔 코어 프로세서를 지원합니다.</p>
USB	<ul style="list-style-type: none"> ■ Intel Z87/ H87/ B85 Express 칩셋 <ul style="list-style-type: none"> - USB 3.0 포트 4개 (후면 패널에 2포트, 내부 USB 커넥터를 통해 2포트 사용) - USB 2.0 포트 8개 (후면 패널에 4포트, 내부 USB 커넥터를 통해 4포트 사용)
오디오	<ul style="list-style-type: none"> ■ Realtek® ALC887 코덱
LAN	<ul style="list-style-type: none"> ■ Realtek® RTL8111G Gigabit LAN 컨트롤러

후면 패널 커넥터	<ul style="list-style-type: none"> ■ PS/2 마우스 포트 1개 ■ PS/2 키보드 포트 1개 ■ USB 2.0 포트 4개 ■ USB 3.0 포트 2개 ■ HDMI 포트 1개 ■ VGA 포트 1개 ■ DVI-D 포트 1개 ■ LAN (RJ45) 포트 1개 ■ 오디오 잭 3개
내장 커넥터	<ul style="list-style-type: none"> ■ 24 핀 ATX 메인 전원 커넥터 1개 ■ 8 핀 ATX 12V 전원 커넥터 1개 ■ SATA 커넥터 6개 ■ USB 2.0 커넥터 2개 (의 USB 2.0 4포트 지원) ■ USB 3.0 커넥터 1개 (의 USB 3.0 2포트 지원) ■ 4 핀 CPU 팬 커넥터 2개 ■ 4 핀 시스템 팬 커넥터 1개 ■ 3 핀 시스템 팬 커넥터 2개 ■ CMOS 클리어 접퍼 1개 ■ 전면 패널 오디오 커넥터 1개 ■ 시스템 패널 커넥터 2개 ■ 샐시 침입 커넥터 1개 ■ TPM 모듈 커넥터 1개 ■ 시리얼 포트 커넥터 1개 ■ 페러렐 포트 커넥터 1개
I/O 컨트롤러	<ul style="list-style-type: none"> ■ NUVOTON NCT6779 컨트롤러 칩
하드웨어 모니터	<ul style="list-style-type: none"> ■ CPU/시스템 온도 감지 ■ CPU/시스템 팬 속도 감지 ■ CPU/시스템 팬 속도 제어
BIOS 기능	<ul style="list-style-type: none"> ■ 64 Mb 플래시 (Z87-G41 PC Mate용) ■ 128 Mb 플래시 (H87-G41 PC Mate/ B85-G41 PC Mate용) ■ UEFI AMI BIOS ■ ACPI 5.0, PnP 1.0a, SM BIOS 2.7, DMI 2.0 ■ 다국어
특별 기능	<ul style="list-style-type: none"> ■ Military Class 4 ■ OC Genie 4 ■ Click BIOS 4 ■ AMD CrossFire ■ 사운드 블래스터 시네마 (Z87-G41 PC Mate용) ■ Clear CMOS Button ■ Total Fan Control ■ Super RAID ■ Command Center

소프트웨어	<ul style="list-style-type: none"> ■ 드라이버 ■ MSI <ul style="list-style-type: none"> - Command Center - Super Charger - Super RAID - Live Update 5 - Fast Boot ■ 7-ZIP ■ Intel Extreme Tuning Utility ■ Norton Internet Security Solution ■ Trend Micro SafeSync ■ Sound Blaster Cinema (Z87-G41 PC Mate용) ■ Network genie ■ Small Business Advantage (H87-G41 PC Mate/ B85-G41 PC Mate용)
폼 팩터	<ul style="list-style-type: none"> ■ ATX 폼 팩터 ■ 12 in. x 8.7 in. (30.5 cm x 22 cm)

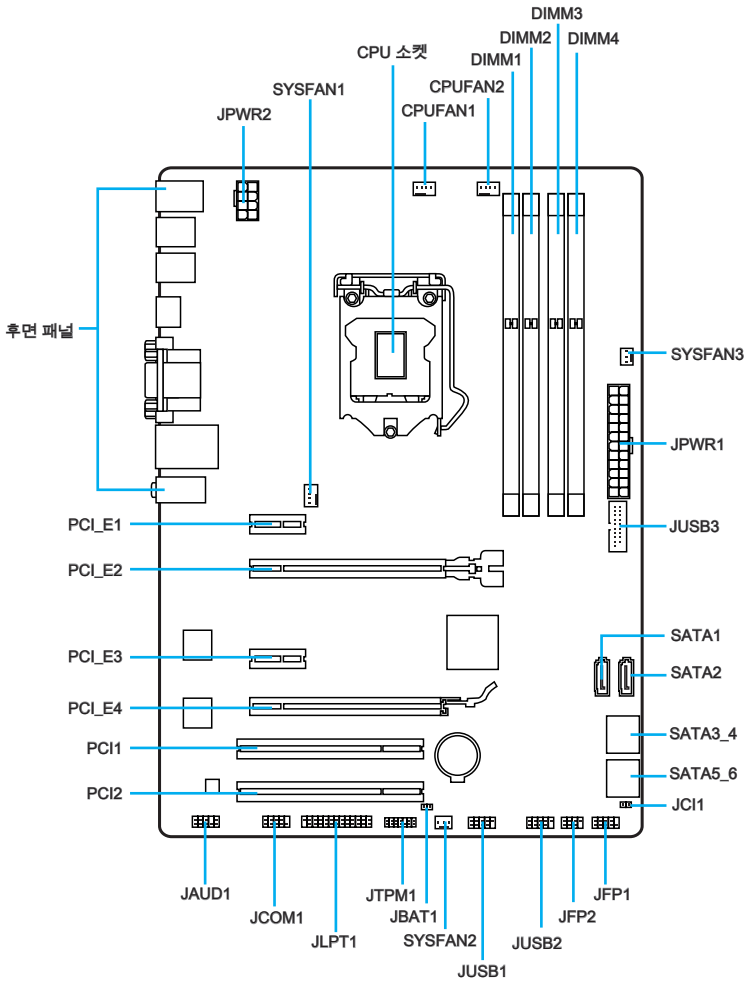


CPU에 대한 최신 정보는
<http://www.msi.com/service/cpu-support/>를 참조하세요.



호환 가능한 부품에 대한 자세한 정보는
<http://www.msi.com/service/test-report/>를 참조하세요.

커넥터 킷 가이드

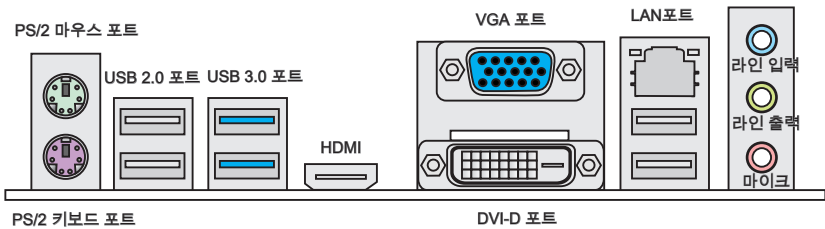


이 페이지

커넥터 참조 목록

포트 이름	포트 타입	페이지
후면 패널	CPU 및 히트싱크 설치	Kr-7
CPU	LGA1150 CPU 소켓	Kr-9
CPUFAN1~2, SYSFAN1~3	팬 전원 커넥터	Kr-19
DIMM1~4	DDR3 메모리 슬롯	Kr-13
JAUD1	전면 패널 오디오 커넥터	Kr-22
JBAT1	CMOS 클리어 접퍼	Kr-25
JCI1	새시 침입 커넥터	Kr-22
JCOM1	시리얼 포트 커넥터	Kr-23
JFP1, JFP2	시스템 패널 커넥터	Kr-20
JLPT1	페리렐 포트 커넥터	Kr-24
JPWR1~2	ATX 전원 커넥터	Kr-15
JTPM1	TPM 모듈 커넥터	Kr-23
JUSB1~2	USB 2.0 확장 커넥터	Kr-21
JUSB3	USB 3.0 확장 커넥터	Kr-21
PCI_E2,4	PCIe x16 확장 슬롯	Kr-16
PCI_E1,3	PCIe x1 확장 슬롯	Kr-16
SATA1~6	SATA 커넥터	Kr-18

후면 패널



▶ PS/2 키보드/마우스 포트

PS/2® 마우스/키보드 DIN 커넥터는 PS/2® 마우스/키보드용입니다.

▶ USB 2.0 포트

USB 2.0 포트는 키보드, 마우스 및 기타 USB 2.0 호환 가능한 장치와 같은 USB 2.0 장치를 연결하는데 사용됩니다.

▶ USB 3.0 포트

USB 3.0 포트는 USB 2.0 장치와 호환할 수 있습니다. 데이터 전송 속도 최대 5 Gbit/s 지원(superspeed)



중요사항

USB 3.0 장치는 USB 3.0 포트에 연결해야 합니다. USB 케이블이 USB 3.0 규격을 준수하는지 확인하시기 바랍니다.

▶ HDMI 포트 **HDMI**™ HIGH-DEFINITION MULTIMEDIA INTERFACE

HDMI는 압축되지 않은 영상을 전송할 수 있는 디지털 오디오-비디오 인터페이스입니다. HDMI는 단 하나의 케이블에서 표준, 고급 또는 고화질 비디오, 멀티 채널 디지털 오디오를 포함한 모든 TV 형식을 지원합니다.

▶ VGA 포트

DB15핀 피메일 커넥터가 모니터용으로 제공됩니다.

▶ DVI-D 포트

DVI-D (Digital Visual Interface- Digital) 커넥터는 어댑터를 사용하여 LCD 모니터 또는 CRT 모니터를 연결할 수 있습니다. 모니터를 연결하려면 모니터 설명서를 참조하세요.



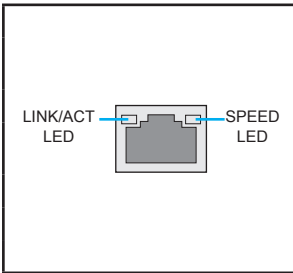
중요사항

이 플랫폼은 듀얼 디스플레이와 트리플 디스플레이 기능을 지원합니다.

	HDMI+VGA	HDMI+DVI	VGA+DVI	HDMI+VGA+DVI
확장 모드 (두번째, 세번째 모니터에 바탕 화면을 확장)	○	○	○	○
클론 모드 (모니터에 같은 화면이 나타남)	○	○	○	○

▶ LAN 포트

표준 RJ-45 LAN 잭은 LAN(Local Area Network) 연결용입니다.

	LED	LED 상태	설명
	Link/ Activity LED (링크/ 통신 LED)		꺼짐
노란색			LAN이 올바르게 연결되었습니다.
깜빡임			컴퓨터가 LAN으로 정상적인 통신 중입니다.
Speed LED (속도 LED)		꺼짐	10 Mbps 속도로 연결되었습니다.
		녹색	100 Mbps 속도로 연결되었습니다.
		오렌지색	1 Gbps 속도로 연결되었습니다.

▶ 오디오 포트

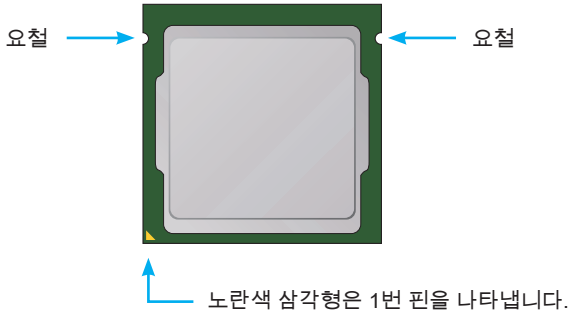
이 오디오 커넥터는 오디오 장치에 사용됩니다. 오디오 잭의 색상으로 커넥터의 기능을 쉽게 구별할 수 있습니다.

- 파란색-라인 입력: 외부 오디오 출력 장치를 연결하는데 사용됩니다.
- 녹색-라인 출력: 스피커 또는 헤드폰에 사용되는 커넥터입니다.
- 핑크색-마이크: 마이크에 사용되는 커넥터입니다.

CPU (중앙 처리 장치)

LGA 1150 CPU 소개

메인보드에 CPU를 정확하게 배치하기 위하여 LGA 1150 CPU 표면에 2개의 요철과 하나의 노란색 삼각형이 있습니다. 노란색 삼각형은 1번 핀을 나타냅니다.



중요사항

과열

과열은 CPU와 시스템을 심각하게 손상시킬 수 있으니 CPU가 과열되지 않도록 쿨러팬이 제대로 작동하고 있는지 항상 확인하세요. 열이 잘 발산되도록 CPU와 방열판 사이에 서멀 페이스트(또는 서멀 테이프)를 고르게 발라주세요.

CPU 교체

CPU 교체 시, CPU의 안전을 위해 항상 전원을 끄거나 전원 코드를 접지된 콘센트에서 뽑으세요.

오버클로킹

이 메인보드는 오버클로킹을 지원하도록 디자인되었습니다. 오버클러킹 전에 오버클로킹 기능을 실행하는 동안 여타 부품이 오버클러킹 설정을 사용할 수 있는지 확인하세요. 제품 스펙을 초과하는 범위에서는 작동하지 마세요. 당사는 올바른 작동이거나 제품 스펙을 초과하는 범위에서 작동하여 발생한 손상이나 위험은 보장하지 않습니다.

CPU 및 히트싱크 설치

CPU 설치 시, CPU 히트싱크를 반드시 설치하세요. CPU 히트싱크는 과열을 방지하고 시스템 성능을 유지하는데 꼭 필요합니다. 아래의 순서에 따라 CPU 및 히트싱크를 정확하게 설치하세요. 잘못 설치할 경우 CPU와 메인보드가 손상될 수 있습니다.



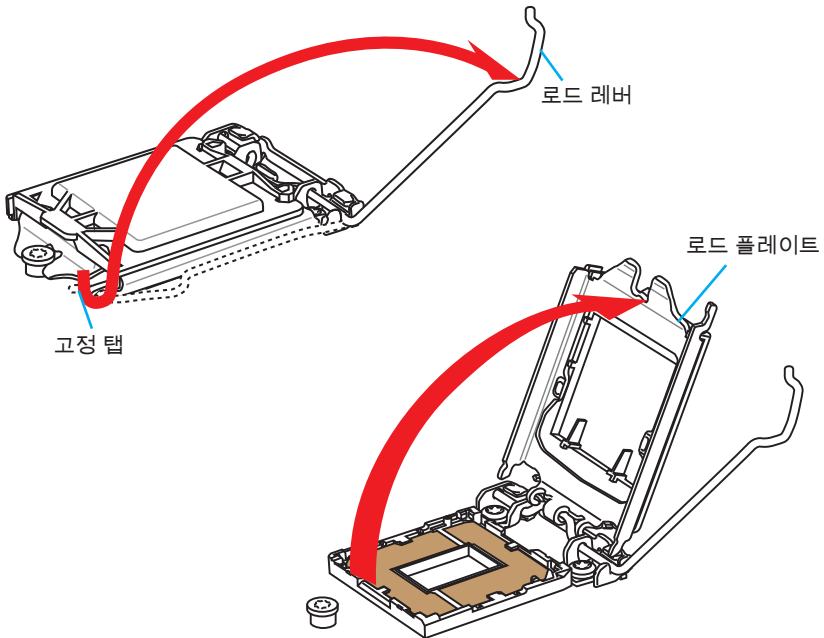
데모 동영상

CPU 및 히트싱크 설치에 대한 동영상을 참조하려면 아래의 웹사이트를 방문하세요.

<http://youtu.be/bf5La099url>



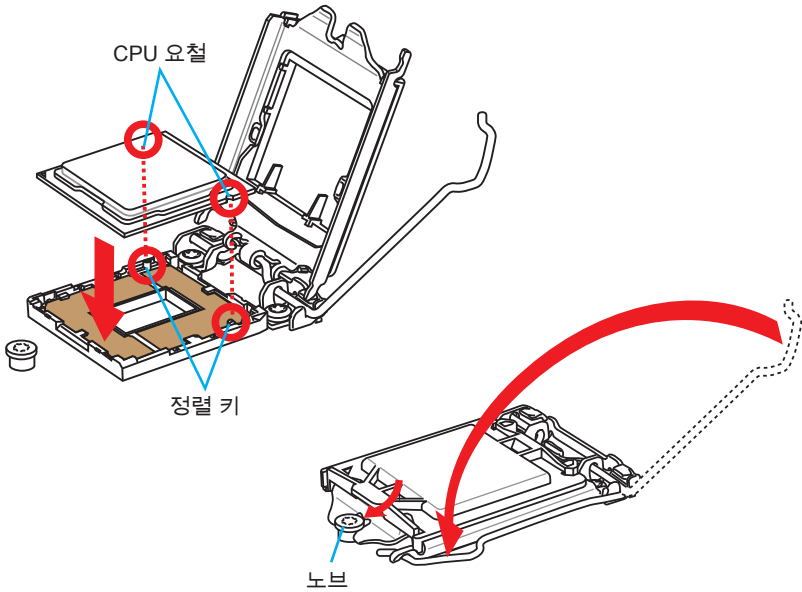
1. 로드 레버를 전부 위로 올려줍니다.
2. 로드 레버를 전부 위로 올리면 로드 플레이트가 자동으로 열려집니다.



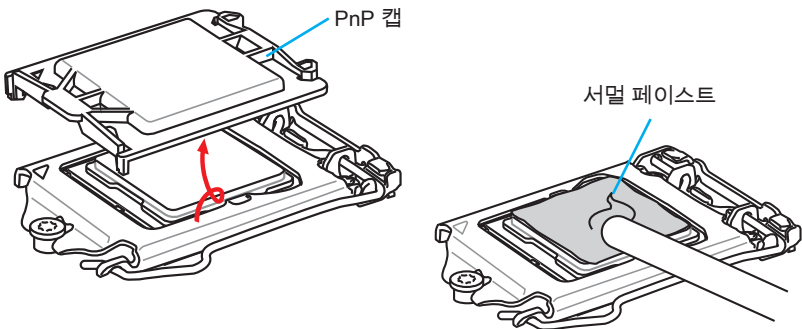
중요사항

소켓 또는 CPU 아래 부분의 손상에 주의하세요.

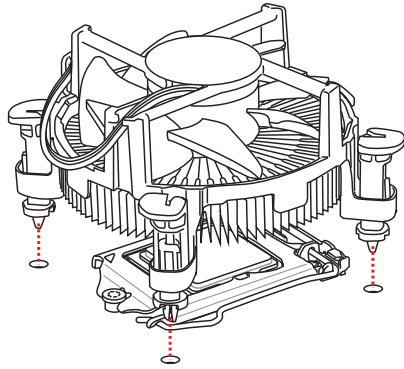
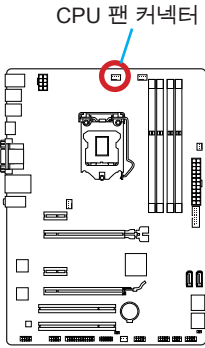
- 요철을 올바른 방향으로 소켓 정렬 키에 맞춘 후 CPU를 소켓에 내려놓습니다. CPU가 소켓에 제대로 장착되었는지 확인하세요.
- 로드 플레이트를 닫고 노브에 고정한 후 로드 레버를 아래로 눌러 고정탭에 고정합니다.



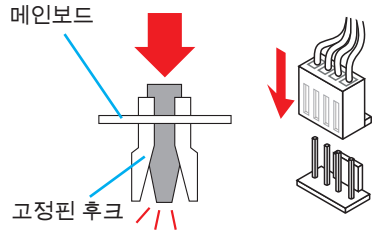
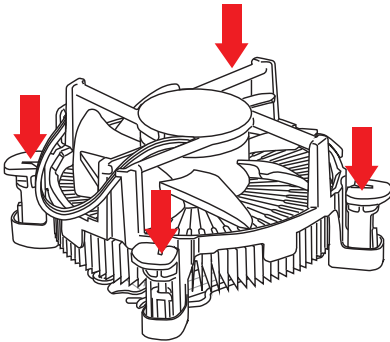
- 로드 레버를 아래로 누르면 PnP 캡이 CPU 소켓에서 자동으로 분리됩니다. PnP 캡을 버리지 마세요. CPU를 소켓에서 제거할시에 PnP 캡을 다시 장착하세요.
- CPU의 과열을 방지하고 열이 잘 발산되도록 CPU의 상단에 서멀 페이스트(또는 서멀 테이프)를 알맞게 발라줍니다.



- 메인보드에 CPU 팬 커넥터를 장착합니다.
- 팬의 선이 팬 커넥터 쪽을 향하고 고정핀이 메인보드의 홀에 꼭 맞게 히트싱크를 메인보드에 장착합니다.



- 4개의 고정핀이 메인보드의 홀에 완전히 박힐 때까지 히트싱크를 누릅니다. 4개의 고정핀을 눌러 히트싱크를 고정합니다. 고정핀이 올바른 위치에 고정되었다면 달하는 소리가 들립니다.
- 고정핀의 후크가 올바르게 고정되었는지 확인합니다.
- 마지막으로 CPU 팬 케이블을 메인보드의 CPU 팬 커넥터에 연결합니다.

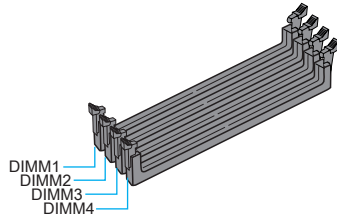
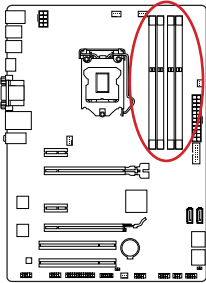


! 중요사항

- 시스템을 켜기 전에 CPU 쿨러가 단단히 설치되었는지 확인합니다.
- CPU가 설치되어 있지 않은 경우, 손상되지 않도록 항상 플라스틱 캡으로 CPU 소켓 핀을 보호하세요.
- CPU와 히트싱크/쿨러를 별도로 구입하였을 경우, 설치에 대한 자세한 내용은 히트싱크/쿨러 패키지에 있는 설명서를 참조하세요.

메모리

DIMM 슬롯은 메모리 모듈을 설치하는데 사용됩니다. 호환 가능한 부품에 대한 자세한 내용은 <http://www.msi.com/service/test-report/>를 참조하세요.



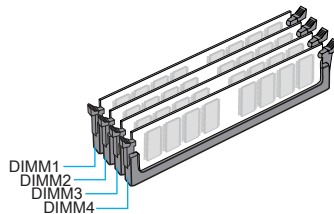
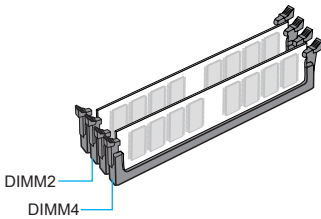
▶ 데모 동영상

메모리 설치에 대한 동영상을 참조하려면 아래의 웹사이트를 방문하세요.
<http://youtu.be/76yLtJaKICQ>



듀얼 채널 모드 배포 규칙

듀얼 채널 모드에서는 메모리 모듈이 2개의 데이터 버스 채널을 통해 데이터를 동시에 전송 및 수신할 수 있습니다. 듀얼 채널 모드를 활성화하면 시스템 성능이 향상됩니다. 다음 그림에서 듀얼 채널 모드의 배포 규칙을 참조하세요.



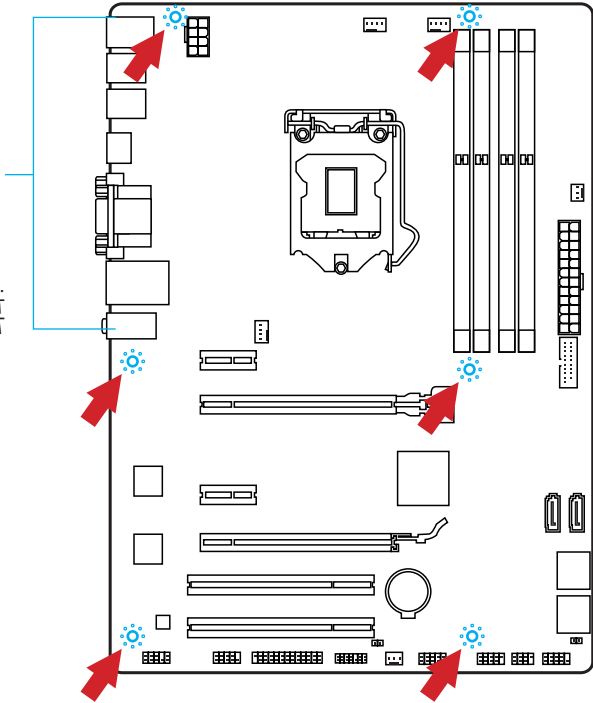
⚠ 중요사항

- DDR3 메모리 모듈은 DDR2와 서로 호환되지 않으며, 표준 DDR3는 하위호환이 되지 않습니다. 항상 DDR3 DIMM 슬롯에 DDR3 메모리 모듈을 설치해야 합니다.
- 시스템의 안정성을 확보하기 위하여 듀얼 채널 모드에서는 타입과 용량이 동일한 메모리 모듈을 사용해야 합니다.
- 칩셋 리소스 사용으로 각 DIMM 슬롯이 8GB 메모리 모듈로 설치된 경우 시스템이 최대 31+ GB(32 GB 이하 지원) 까지만 인식됩니다.

장착 스크류 홀

메인보드를 설치할 때, 먼저 컴퓨터 케이스의 베이스 플레이트에 메인보드 설치를 위한 지지대를 장착합니다. 컴퓨터 케이스와 함께 제공되는 I/O 실드(백 플레이트)가 있을 경우 메인보드 패키지와 함께 제공되는 I/O 실드(백 플레이트)로 교체하세요. I/O 실드(백 플레이트)는 스크류가 필요없이 컴퓨터 케이스에 쉽게 들어가야 합니다. 장착 플레이트의 장착 스탠드를 메인보드의 스크류 홀에 정렬하고 컴퓨터 케이스와 함께 제공되는 스크류로 메인보드를 고정합니다. 메인보드의 스크류 홀의 위치는 아래 그림과 같습니다. 자세한 내용은 컴퓨터 케이스와 함께 제공되는 메뉴얼을 참조하세요.

I/O 포트는 컴퓨터 케이스의 뒷쪽으로 향해야 하고 I/O 실드(백 플레이트)에 있는 홀에 한 줄로 세워져야 합니다.



중요사항

- 바닥에 불필요한 잔여물이 없는 평평한 곳 위에서 메인보드를 설치합니다.
- 메인보드에 대한 손상을 방지하기 위해 메인보드 회로와 컴퓨터 케이스의 접촉(장착 지지대 제외)을 금지합니다.
- 메인보드 단락을 피하기 위해 메인보드 또는 컴퓨터 케이스속에 느슨한 금속 부품이 없는지 확인하세요.

전원 공급 장치



데모 동영상

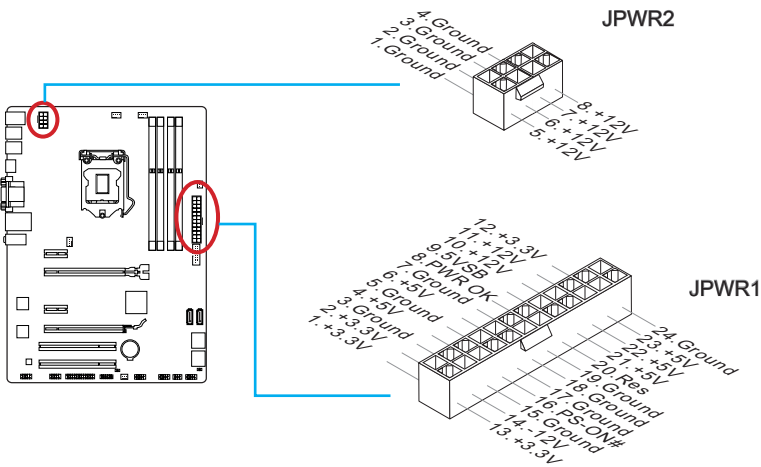
전원 공급 장치 커넥터 설치에 대한 동영상을 참조하려면 아래의 웹사이트를 방문하세요.

http://youtu.be/gkDYyR_8314



JPWR1~2: ATX 전원 커넥터

이 커넥터를 사용하여 ATX 전원 공급 장치를 연결할 수 있습니다. ATX 24핀 전원 공급 장치를 연결하려면 커넥터에 전원 공급 케이블을 정렬하고 케이블을 커넥터 안쪽으로 꼭 눌러줍니다. 만약 정확하게 장착하였다면 전원 케이블의 클립이 메인보드의 전원 커넥터에 꼭 맞게 걸리게 됩니다.



중요사항

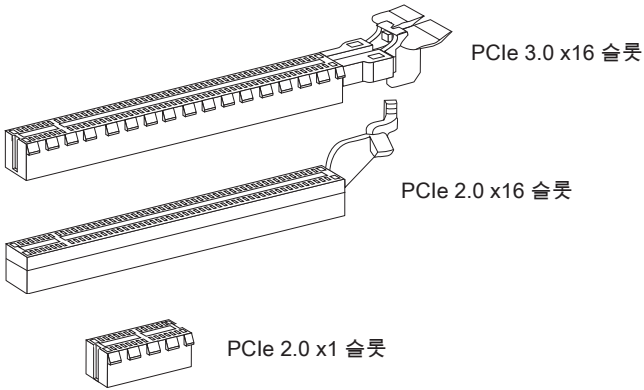
모든 전원 케이블이 ATX 전원 공급 장치에 올바르게 연결되어 메인보드가 안정적으로 작동하는지 확인하세요.

확장 슬롯

이 메인보드에는 별도의 그래픽, 오디오 카드등과 같은 확장 카드 사용을 위한 포트들이 다수 포함되어 있습니다.

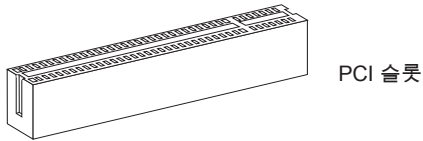
PCI_E1~4: PCIe 확장 슬롯

PCIe 슬롯은 PCIe 인터페이스 확장 카드를 지원합니다.



PCI1~2: PCI 확장 슬롯

PCI 슬롯은 PCI 인터페이스 확장 카드를 지원합니다.



중요사항

확장 카드를 추가하거나 제거할 때 먼저 전원을 끄거나 전원 코드를 콘센트에서 뽑으세요. 확장 카드에 대해 필요한 하드웨어나 소프트웨어 변경에 대하여 알려면 확장카드 설명서를 읽으세요.

비디오/ 그래픽 카드

가능한 경우, 메인보드는 CPU의 통합 그래픽 프로세서를 활용하지만 별도의 그래픽 카드도 메인보드의 확장 슬롯에 설치할 수 있습니다. 별도의 비디오 카드를 하나 또는 하나 이상 추가하면 시스템의 그래픽 성능을 크게 높일 수 있습니다. 최적의 호환성을 위해 MSI 그래픽 카드를 사용할 것을 권장합니다.

데모 동영상

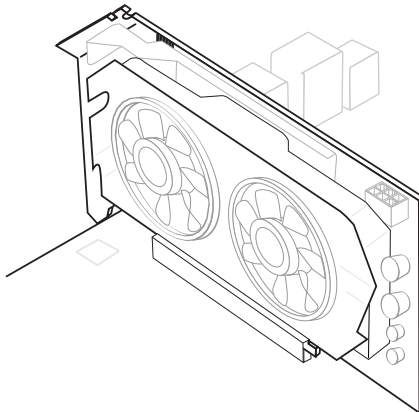
버터플라이 락(butterfly lock)으로 PCIe x16 슬롯에 그래픽 카드를 설치하는 방법을 알아보려면 아래의 웹사이트를 방문하세요.

http://youtu.be/mG0GZpr9w_A



싱글 비디오 카드 설치

1. 비디오 카드 설치에 필요한 확장 슬롯 타입을 결정합니다. 컴퓨터 케이스에서 확장 슬롯 보호 커버를 제거합니다.
2. 화면 출력 단자가 컴퓨터 케이스의 바깥 쪽으로 향하게 비디오 카드를 확장 슬롯의 상단에 세워줍니다. 싱글 비디오 카드 설치시, PCI_E2 슬롯을 사용할 것을 권장합니다.
3. 비디오 카드를 확장 슬롯 안쪽으로 밀어줍니다. 확장 슬롯의 클립이 비디오 카드를 정확한 위치에 고정시켜 줍니다.
4. 필요한 경우, 스크류로 그래픽 카드의 끝부분을 컴퓨터 케이스에 고정하세요. 일부 비디오 카드는 전원 공급 장치에 직접 연결된 전원 케이블이 필요할 수 있습니다.
5. 드라이버 설치 또는 기타 특별한 설정에 대한 자세한 설명은 비디오 카드 메뉴얼을 참조하세요.



내장 커넥터

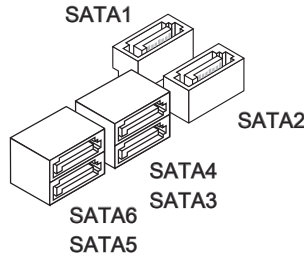
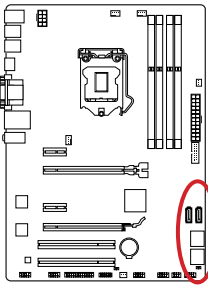
SATA1~6: SATA 커넥터

이 커넥터는 고속 SATA 인터페이스 포트에 사용됩니다. 각 커넥터는 하나의 SATA 장치에 연결할 수 있습니다. SATA 장치는 디스크 드라이브(HDD), 솔리드 스테이트 드라이브(SSD) 및 옵티컬 드라이브 (CD/ DVD/ 블루 레이)를 포함합니다.



SATA HDD 설치에 대한 동영상을 참조하려면 아래의 웹사이트를 방문하세요.

<http://youtu.be/RZsMpqxthc>



Z87-G41 PC Mate/ H87-G41 PC Mate용
- SATA1~6 (Intel® Z87/ H87로 6Gb/s 지원)

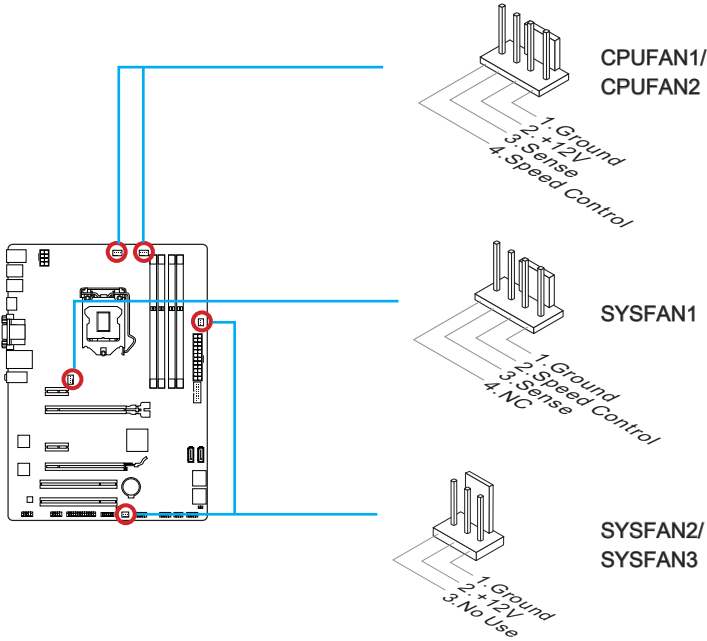
B85-G41 PC Mate용
- SATA1, SATA2, SATA3, SATA4 (Intel® B85로 6Gb/s 지원)
- SATA5, SATA6 (Intel® B85로 3Gb/s 지원)

중요사항

- 디스크 드라이브 (HDD), 솔리드 스테이트 드라이브 (SSD) 및 옵티컬 드라이브 (CD / DVD / 블루 레이) 와 같은 다수의 SATA 장치는 전원 공급 장치에 연결된 전원 케이블도 필요합니다. 자세한 내용은 해당 기기 메뉴얼을 참조하세요.
- 다수의 컴퓨터 케이스는 HDD, SSD, 옵티컬 드라이브와 같은 대형 SATA 장치가 케이스 안쪽 하단에 고정되어 있도록 요구합니다. 설치에 대한 자세한 설명은 컴퓨터 케이스나 SATA 장치와 함께 제공되는 메뉴얼을 참조하세요.
- SATA 케이블을 90도로 꺾지 마세요. 그럴 경우 전송 중 데이터가 손상될 수 있습니다.
- SATA 케이블의 양쪽 모두에 동일한 플러그가 있지만 공간 절약을 위해 플랫 커넥터를 메인보드에 연결할 것을 권장합니다.

CPUFAN1~2, SYSFAN1~3: 팬 전원 커넥터

팬 전원 커넥터는 +12V의 시스템 쿨링 팬을 지원합니다. 메인보드에 시스템 하드웨어 모니터 칩셋이 온보드 되어 있는 경우 CPU 팬 제어를 활용하기 위하여 속도 센서가 있는 특별히 디자인된 팬을 사용해야 합니다. 시스템 팬은 전부 연결하세요. 만일 시스템 팬을 메인보드에 전부 연결할 수 없을 경우 전원 공급기에 직접 연결하세요.



중요사항

- 프로세서 공식 웹사이트나 판매점에서 권장하는 히트싱크를 사용하세요.
- 이 커넥터는 라이너 모드에서 스마트 팬 제어를 지원합니다. CPU 및 시스템의 실제 온도에 따라 팬의 속도를 자동으로 제어하는 Command Center 유틸리티를 설치할 수 있습니다.
- 만일 시스템 팬을 메인보드의 포트에 전부 연결할 수 없을 경우, 어댑터를 사용하여 팬을 전원 공급기에 직접 연결하세요.
- 처음으로 부팅할 때, 케이블이 팬 블레이드를 방해하지 않도록 확인하세요.

JFP1, JFP2: 시스템 패널 커넥터

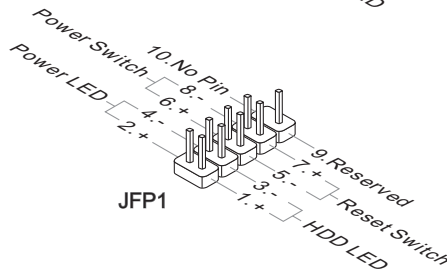
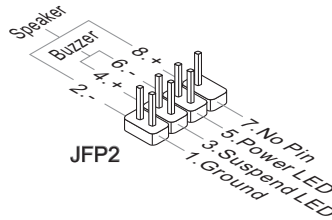
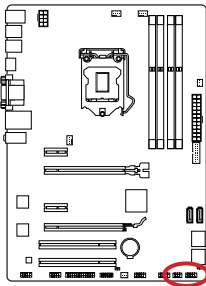
이 커넥터는 전면 패널 스위치 및 LED에 연결됩니다. JFP1 커넥터는 Intel® Front Panel I/O Connectivity Design Guide를 준수합니다. 전면 패널 커넥터 설치를 간편히 하기 위하여 옵션인 M-커넥터를 사용하세요. 컴퓨터 케이스로부터 모든 선을 M-커넥터에 연결한 다음 M-커넥터를 메인보드에 연결하세요.



데모 동영상

전면 패널 커넥터 설치에 대한 동영상을 참조하려면 아래의 웹사이트를 방문하세요.

<http://youtu.be/DPELIdVNZUI>

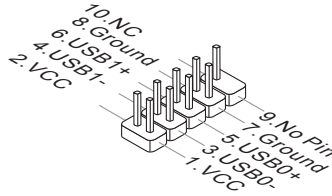
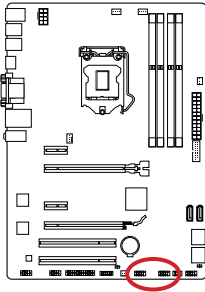


중요사항

- 케이스쪽 커넥터 위의 작은 삼각형 표기를 한 핀들은 양극(+)을 표시합니다. 위 그림과 같이 옵션인 M-커넥터에 제시된 표기에 따라 정확한 연결 방향과 위치를 확인하세요.
- 컴퓨터 케이스의 대다수 전면 패널 커넥터는 JFP1에 우선적으로 연결됩니다.

JUSB1~2: USB 2.0 확장 커넥터

이 커넥터는 USB HDD, 디지털 카메라, MP3 플레이어, 프린터, 모뎀 등과 같은 고속 USB 주변 장치를 연결하도록 디자인 되었습니다.

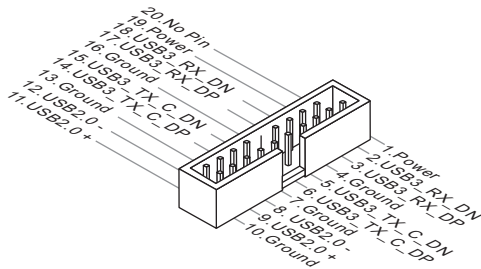
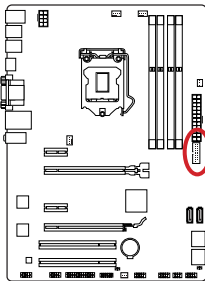


중요사항

VCC 및 GND의 핀을 정확히 연결하여야 손상을 방지할수 있습니다.

JUSB3: USB 3.0 확장 커넥터

USB 3.0 포트는 USB 2.0 장치와 호환할수 있습니다. 데이터 전송속도 최대 5Gbits/s (SuperSpeed)를 지원합니다.

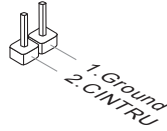
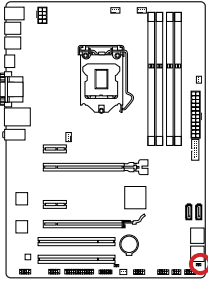


중요사항

- VCC 및 GND의 핀을 정확히 연결하여야 손상을 방지할수 있습니다.
- USB 3.0 장치를 사용하려면 옵션인 USB 3.0 케이블로 장치와 USB 3.0 포트를 연결해야 합니다.

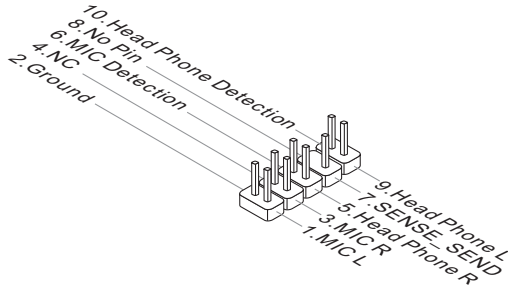
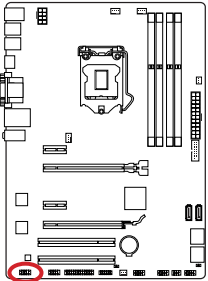
JCI1: 새시 침입 커넥터

이 커넥터는 새시 침입 스위치 케이블에 연결됩니다. 컴퓨터 케이스가 열리는 경우, 새시 침입 메커니즘이 활성화됩니다. 시스템이 이 상태를 기록하고 화면에 경고 메시지가 나타납니다. 경고를 지우려면, BIOS 유틸리티에서 레코드를 지워야 합니다.



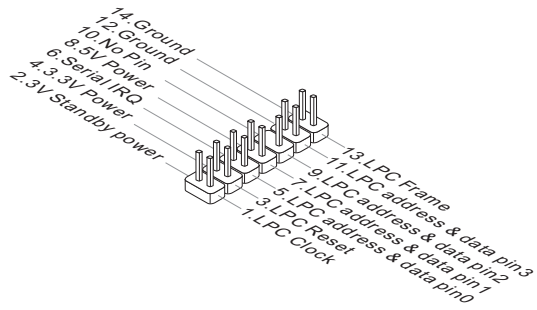
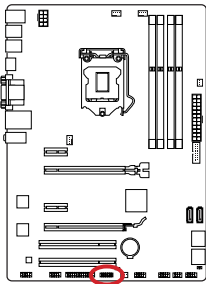
JAUD1: 전면 패널 오디오 커넥터

이 커넥터를 사용하여 컴퓨터 케이스에 있는 전면 오디오 패널을 연결할 수 있으며, 이 커넥터는 Intel® Front Panel I/O Connectivity Design Guide를 준수합니다.



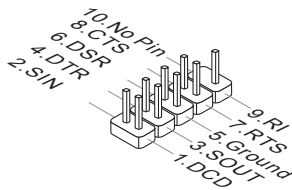
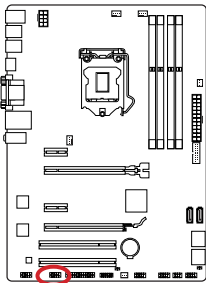
JTPM1: TPM 모듈 커넥터

이 커넥터는 TPM (Trusted Platform Module) 모듈에 연결됩니다. 자세한 내용과 사용법은 TPM 보안 플랫폼 설명서를 참조하세요.



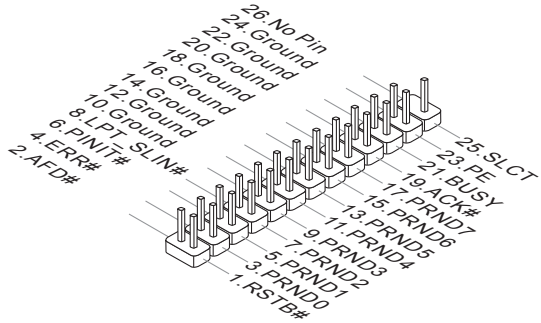
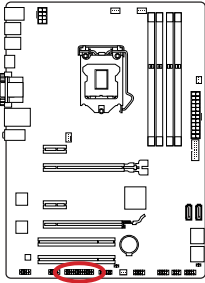
JCOM1: 시리얼 포트 커넥터

이 커넥터는 16550A 고속 통신 포트로서 16바이트의 FIFO를 송수신합니다. 시리얼 장치를 연결할 수 있습니다.



JLPT1: 페러렐 포트 커넥터

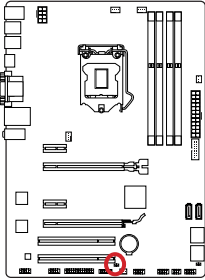
이 커넥터는 옵션인 페러렐 포트 브래킷을 연결하는데 사용됩니다. 이 페러렐 포트는 표준 프린터 포트로서, 확장 페러렐 포트(EPP) 및 확장 성능 페러렐 포트(ECP) 모드를 지원합니다



점퍼

JBAT1: CMOS 클리어 점퍼

보드에 시스템 구성 데이터를 유지하기 위해 외부 배터리로부터 전원을 공급 받는 CMOS RAM이 있습니다. CMOS RAM의 경우, 시스템을 켤 때마다 시스템이 OS를 자동으로 부팅할 수 있도록 합니다. 시스템 구성을 지우려면 점퍼를 아래와 같이 설정하여 CMOS RAM을 지우세요.



데이터 유지



데이터 지우기



중요사항

시스템이 꺼져 있을 때 점퍼를 단락시켜 CMOS RAM을 지울 수 있습니다. 그 다음, 점퍼를 분리합니다. 시스템이 켜져 있는 동안에는 CMOS RAM을 지우지 마세요. 메인보드가 손상될 수 있습니다.

드라이버 및 유틸리티

구입한 컴퓨터의 성능을 최대화하려면 운영 체제를 설치한 다음 드라이버도 설치해야 합니다. 드라이버 디스크는 MSI 메인보드와 함께 제공됩니다. 드라이버를 설치하여 메인보드를 보다 효율적으로 활용하고 모든 특별 기능을 사용할 수 있습니다.

번들 보안 프로그램을 설치하여 바이러스로부터 컴퓨터를 보호할 수 있습니다. 그 외에도 파워플하고 독창적인 유틸리티들이 다양하게 포함되어 있습니다.

Total Installer(토탈 설치)

Total Installer는 사용하기 쉬운뿐만아니라 필요한 드라이버를 빠르게 찾아낼수 있습니다. 다음 절차에 따라 새로 구입한 컴퓨터에 드라이버와 유틸리티를 설치하세요.

1. MSI 드라이버 디스크를 옵티컬 드라이브에 삽입합니다. OS에서 자동실행을 [사용]으로 설정했다면 설치 화면이 자동으로 나타납니다.
2. Total Installer를 클릭하면 다음과 같은 대화창이 나타나면서 필요한 모든 드라이버 목록이 표시됩니다.



여기를 클릭하세요.

3. 드라이버 목록 대화창에서 모든 확인란을 선택하세요.
4. 설치 버튼을 누르세요.
5. 소프트웨어 설치가 진행됩니다. 설치가 완료되면 재시작하라는 메시지가 나타납니다.
6. OK 버튼을 눌러 설치를 완성합니다.
7. 컴퓨터를 재시작합니다.

이와 같은 방법을 사용하여 유틸리티를 설치하세요.

BIOS 설정

CLICK BIOS는 MSI에서 개발한 그래픽 사용자 인터페이스로서 마우스와 키보드를 사용하여 BIOS를 설정할 수 있습니다.

CLICK BIOS를 사용하여 BIOS 설정을 변경하고 CPU 온도를 감시할 수 있으며 부팅 장치의 우선순위를 선택하고 CPU 이름, DRAM 용량, OS버전 및 BIOS 버전 등과 같은 시스템 정보를 볼 수 있습니다. 백업 또는 친구들과의 공유를 위해 매개 변수 데이터를 가져오고 내보낼 수 있습니다.

설정 들어가기

컴퓨터를 켜면 시스템이 POST (Power On Self Test) 프로세스를 시작합니다. 화면에 아래의 메시지가 표시되면, 키를 눌러 설정을 시작합니다.

Press DEL key to enter Setup Menu, F11 to enter Boot Menu

(DEL을 누르면 설정메뉴를, F11을 누르면 부팅 메뉴를 시작합니다.)

위 메시지를 보지 못했거나 BIOS로 들어가지 못했다면, 시스템을 껐다 다시 켜거나 RESET 버튼을 눌러 다시 시작합니다. 또한 <Ctrl>, <Alt> 및 <Delete> 키를 동시에 눌러 시스템을 다시 시작할 수도 있습니다.

MSI는 BIOS 설정 화면으로 이동하는 두가지 방법을 추가적으로 제공합니다. "MSI Fast Boot" 유틸리티 화면에서 "GO2BIOS" 탭을 클릭하거나 메인보드 위의 "GO2BIOS" (옵션) 버튼을 누르면 다음 부팅시 시스템이 BIOS 설정 화면으로 직접 이동합니다.



"MSI Fast Boot" 유틸리티 화면에서 "GO2BIOS" 탭을 클릭합니다.

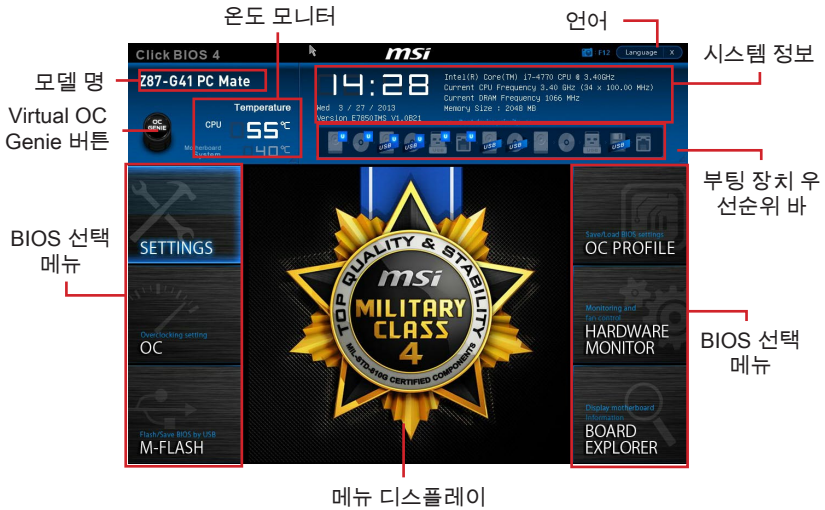


중요사항

- "MSI Fast Boot" 유틸리티를 사용하여 BIOS 설정 화면으로 이동하기 전에 이 유틸리티를 설치하였는지 확인하세요.
- 이 장에서 설명되는 각 BIOS 카테고리 아래의 항목은 시스템 성능을 향상하기 위해 지속적으로 업데이트됩니다. 따라서 설명이 최신 BIOS와 약간 다를 수 있으니 참조용으로 사용하시기 바랍니다.

개요

BIOS를 시작하면 아래의 화면이 표시됩니다.



▶ 온도 모니터

이 블록은 프로세서와 메인보드의 온도를 표시합니다.

▶ 언어

BIOS 설정시, 필요한 언어를 선택할 수 있습니다.

▶ 시스템 정보

이 블록은 시간, 날짜, CPU 이름, CPU 클럭, DRAM 클럭, DRAM 용량 및 BIOS 버전 등 정보를 표시합니다.

▶ BIOS 선택 메뉴

다음과 같은 옵션이 제공됩니다.

- **SETTINGS** - 이 메뉴를 사용하여 칩셋 및 부팅장치에 대한 설정을 지정할 수 있습니다.
- **OC** - 이 메뉴에는 클럭 및 전압 조정 항목이 포함됩니다. 클럭이 높아지면 성능이 좋아지지만 높은 클럭과 열은 시스템의 불안정성을 일으킬 수 있으므로 일반 사용자는 오버클럭 기능을 사용하지 말 것을 권장합니다.
- **M-FLASH** - 이 메뉴는 USB 플래시 디스크로 BIOS를 업데이트하는 방법을 제공합니다.
- **OC PROFILE** - 이 메뉴는 다양한 오버클로킹 프로파일을 설정하는데 사용됩니다.
- **HARDWARE MONITOR** - 이 메뉴는 팬 속도를 설정하고 시스템 전압을 모니터링하는데 사용됩니다.
- **BOARD EXPLORER** - 이 메뉴는 메인보드에 설치된 장치의 정보를 제공합니다.

▶ 부팅 장치 우선순위 바

장치 아이콘을 이동하여 부팅 순위를 변경합니다.



▶ 메뉴 디스플레이

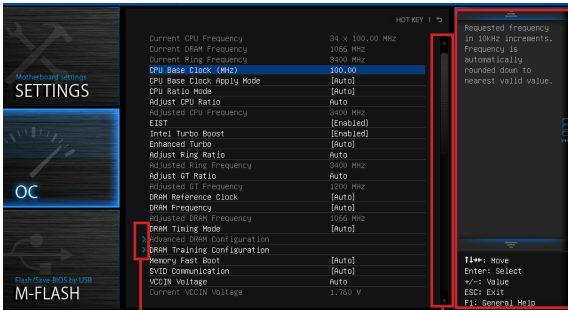
이 영역은 BIOS 설정 및 구성 정보를 제공합니다.

▶ Virtual OC Genie 버튼

이 버튼을 클릭하여 OC Genie 기능을 활성화 또는 비활성화합니다. 기능이 활성화 되면 이 버튼이 밝아지며 자동으로 MSI 최적의 오버클로킹 프로파일로 오버클럭할 수 있습니다.

▶ 모델명

메인보드의 모델명을 표시합니다.



도움말

서브 메뉴

스크롤 바

▶ 서브 메뉴

포인터 기호가 특정 필드의 왼쪽에 표시되면, 이 필드에서 추가 옵션을 포함한 서브메뉴를 불러올 수 있음을 의미합니다. 화살표 키나 마우스를 사용하여 필드를 선택하고 <Enter>를 누르거나 마우스 왼쪽 버튼을 두 번 클릭하여 서브 메뉴로 들어갑니다.

▶ 스크롤 바




스크롤 바를 아래위로 움직이거나 화살표 키를 사용하여 "메뉴 디스플레이" 영역에서 기타 사용 가능한 항목을 찾아 봅니다.

▶ 도움말

도움말 영역에는 선택한 항목에 대한 간단한 설명이 나타납니다.

컨트롤

마우스 또는 키보드를 사용하여 BIOS 설정을 제어할 수 있습니다. 아래 그림은 핫 키와 마우스 사용에 대한 설명입니다.

핫 키	마우스	설명
<↑↓→←>	 커서 이동	항목 선택
<Enter>	 클릭/ 왼쪽 버튼 더블 클릭	아이콘/ 필드 선택
<Esc>	 오른쪽 버튼 클릭	종료 메뉴로 가거나 이전 메뉴로 이동
<+>	X	수치를 증가하거나 변경
<->		수치를 감소하거나 변경
<F1>		도움말
<F4>		CPU 스펙
<F5>		Memory-Z 실행
<F6>		최적 기본값 불러오기
<F8>		USB 드라이브에서 OC Profile 로드하기
<F9>		USB 드라이브에 OC Profile 저장하기
<F10>		변경값 저장 및 리셋
<F12>		FAT/FAT32 USB 드라이브에 스크린샷 저장하기

OC 메뉴

이 메뉴는 메인보드를 오버클럭하려는 고급 사용자를 위한 메뉴입니다.



중요사항

- 이 항목은 고급 사용자만을 위한 항목입니다.
- 오버클로킹은 보증하지 않습니다. 부적절하게 작동하였을 경우 보증이 무효화되며 컴퓨터 하드웨어가 심각하게 손상될 수 있습니다.
- 오버클로킹에 익숙하지 않은 경우, OC Genie를 사용하여 보다 쉽게 오버클로킹 할 것을 권장합니다.

▶ Current CPU/ DRAM/ Ring Frequency

이 항목은 설치된 CPU, 메모리 및 링의 현재 주파수를 표시합니다. (읽기 전용)

▶ CPU Base Clock (MHz) [Default]

이 항목을 사용하여 CPU 베이스 클럭을 설정할 수 있습니다. 값을 조정하여 CPU를 오버클럭할 수 있지만 오버클로킹의 작동이나 안정성은 보증하지 않습니다. 이 항목은 설치된 프로세서가 이 기능을 지원하는 경우 나타납니다.

▶ Current CPU Base Clock Strap (for Z87-G41 PC Mate)

이 항목은 현재 CPU Base Clock Strap을 표시하며 읽기 전용입니다. 프로세서가 이 기능을 지원하는 경우에만 이 항목을 변경할 수 있습니다.

▶ Adjust CPU Base Clock Strap [Auto]

이 항목을 사용하여 CPU Base Clock Strap을 설정할 수 있습니다. 값을 조정하여 CPU 베이스 클럭을 오버클럭할 수 있지만 오버클로킹의 작동이나 안정성은 보증하지 않습니다. 프로세서가 이 기능을 지원하는 경우에만 이 항목을 변경할 수 있습니다. "Auto"로 설정하면 BIOS는 자동으로 값을 설정합니다. [옵션: Auto, 1.00, 1.25, 1.67]

▶ CPU Base Clock Apply Mode [Auto]

이 항목을 사용하여 조정된 CPU 베이스 클럭의 적용 모드를 설정합니다.

[Auto] 이 설정은 BIOS에서 자동으로 구성됩니다.

[Next Boot] 재부팅 후 조정된 CPU 베이스 클럭을 실행합니다.
 [Immediate] CPU는 즉시 조정된 CPU 베이스 클럭을 실행합니다.

▶ **CPU Ratio Mode [Auto]**

이 항목을 사용하여 CPU 비율의 작동 모드를 선택할 수 있습니다.

[Auto] 이 설정은 BIOS에서 자동으로 구성됩니다.

[Fixed Mode] CPU 비율을 수정.

[Dynamic Mode] CPU 비율은 CPU 로딩 상태에 따라 동적으로 변경됩니다.

▶ **Adjust CPU Ratio [Auto]**

이 항목을 사용하여 CPU의 클럭 속도를 결정하는 CPU 비율을 설정합니다. 이 항목은 프로세서가 이 기능을 지원하는 경우에만 변경됩니다.

▶ **Adjusted CPU Frequency**

이 항목은 조정된 CPU 주파수를 표시합니다. (읽기 전용)

▶ **EIST [Enabled]**

이 항목을 사용하여 Enhanced Intel® SpeedStep Technology를 활성화 또는 비활성화합니다.

▶ **Intel Turbo Boost [Enabled]**

이 항목을 사용하여 Intel® Turbo Boost 기능을 활성화 또는 비활성화합니다. 이 항목은 설치된 CPU가 이 기능을 지원하는 경우 나타납니다.

[Enabled] 시스템이 최고 상태의 성능을 요구하는 경우, 이 기능을 활성화하여 정격 스펙 이상의 성능으로 CPU 클럭을 올립니다.

[Disabled] 이 기능을 비활성화합니다.

▶ **Enhanced Turbo [Auto]**

모든 CPU 코어에 대한 Enhanced Turbo 기능을 활성화 또는 비활성화하여 CPU 성능을 향상시켜 줍니다.

[Auto] 이 설정은 BIOS에서 자동으로 구성됩니다.

[Enabled] 모든 CPU 코어가 최대 터보 비율로 증가됩니다.

[Disabled] 이 기능을 비활성화합니다.

▶ **OC Genie Switch [Gear1]**

이 항목을 사용하여 OC Genie 기능 사용에 필요한 오버클로킹 프로파일을 선택합니다. 이 항목은 "OC Genie Function Control"이 [By BIOS Options]으로 설정된 경우 나타납니다.

[Gear1] Gear1 오버클로킹 프로파일로 오버클럭합니다.

[Gear2] Gear2 오버클로킹 프로파일로익스트림 오버클로킹을 진행합니다.



중요사항

- OC Genie 기능을 활성화 한후 OC Genie 메뉴에서 설정을 변경하거나 기본 값을 로드하지 말것을 권장합니다.
- OC Genie 모드에서 BIOS를 업데이트하거나 CMOS 데이터를 삭제하지 마세요. OC Genie 기능이 실패하거나 기타 문제가 생길 수 있습니다.

▶ **Adjust Ring Ratio [Auto]**

이 항목을 사용하여 링 비율을 설정합니다. 유효한 값 범위는 설치된 CPU에 따라 달라집니다.

▶ **Adjusted Ring Frequency**

이 항목은 조정된 링 주파수를 표시합니다.(읽기 전용)

▶ **Adjust GT Ratio [Auto]**

이 항목을 사용하여 통합 그래픽 클럭의 배수를 설정합니다. 유효한 값 범위는 설치된 CPU에 따라 달라집니다.

▶ **Adjusted GT Frequency**

이 항목은 조정된 통합 그래픽 클럭을 표시합니다.(읽기 전용)

▶ **DRAM Reference Clock [Auto]**

이 항목을 사용하여 DRAM 참조 클럭을 설정할 수 있습니다. 유효한 값 범위는 설치된 CPU에 따라 달라지며 본 항목은 이 조정을 지원하는 CPU가 설치된 경우에만 나타납니다.

▶ **DRAM Frequency [Auto]**

이 항목을 사용하여 DRAM 클럭을 조정할 수 있습니다. 단, 오버클로킹 정상 동작은 보증하지 않습니다.

▶ **Adjusted DRAM Frequency**

이 항목은 조정된 DRAM 클럭을 표시합니다.(읽기 전용)

▶ **Extreme Memory Profile (X.M.P) [Disabled]**

X.M.P. (Extreme Memory Profile)은 메모리 모듈을 사용하는 오버클로킹 기술입니다. 이 항목은 X.M.P. 기술을 지원하는 메모리 모듈이 설치된 경우 사용할 수 있습니다.

[Disabled] 이 기능을 비활성화합니다.

[Profile 1] XMP 메모리 모듈에 저장된 프로파일 1 오버클로킹 설정을 사용합니다.

[Profile 2] XMP 메모리 모듈에 저장된 프로파일 2 오버클로킹 설정을 사용합니다.

▶ **DRAM Timing Mode [Auto]**

이 항목을 사용하여 메모리 타이밍 모드를 선택합니다.

[Auto] DRAM 타이밍은 설치된 메모리 모듈의 SPD (Serial Presence Detect)에 의해 결정됩니다.

[Link] 모든 메모리 채널의 DRAM 타이밍을 수동으로 설정할 수 있습니다.

[UnLink] 각 메모리 채널의 DRAM 타이밍을 수동으로 설정할 수 있습니다.

▶ **Advanced DRAM Configuration**

<Enter>를 눌러 서브 메뉴를 시작합니다. 이 서브 메뉴는 “DRAM 타이밍 모드”를 [Link] 또는 [Unlink]로 설정한 후에 활성화 또는 비활성화됩니다. 사용자는 메모리의 각 채널에 대해 메모리 타이밍을 설정할 수 있습니다. 메모리 타이밍 설정을 변경한 후 시스템이 불안정하거나 부팅되지 않을 수도 있으니 그럴 경우, CMOS 데이터를 삭제하고 기본 설정을 복원하세요. (CMOS 클리어 접퍼/ 버튼 부분의 내용을 참조하여 CMOS 데이터를 삭제하고 BIOS 에서 기본 설정을 로드하세요.)

▶ **DRAM Training Configuration**

<Enter>를 눌러 서브 메뉴를 시작합니다. DRAM의 다양한 트레이닝 방법을 활성화 또는 비활성화합니다. 메모리 타이밍 설정을 변경한 후 시스템이 불안정하거나 부팅되지 않을 수도 있으니 그럴 경우, CMOS 데이터를 삭제하고 기본 설정을 복원하세요. (CMOS 클리어 접퍼/ 버튼 부분의 내용을 참조하여 CMOS 데이터를 삭제하고 BIOS 에서 기본 설정을 로드하세요.)

▶ **Memory Fast Boot [Auto]**

매번 부팅할 때 메모리의 트레이닝 개시를 활성화 또는 비활성화합니다.

[Auto] 이 설정은 BIOS에서 자동으로 구성됩니다.

[Enabled] 메모리는 첫번째 시작과 첫 트레이닝을 완전히 모방합니다. 이후에 시스템 부팅 시간을 가속화하면서 부팅 할 경우, 메모리는 트레이닝되지 않습니다.

[Disabled] 메모리가 매번 부팅시 시작되거나 트레이닝됩니다.

▶ **SVID Communication [Auto]**

이 항목을 사용하여 SVID (Serial Voltage Identification) 지원을 활성화 또는 비활성화할 수 있습니다.

[Auto] 이 설정은 BIOS에서 자동으로 구성됩니다.

[Enabled] PWM 페이즈는 CPU SVID (Serial Voltage Identification)의 설정에 따라 동적으로 변경됩니다.

[Disabled] SVID (Serial Voltage Identification) 지원을 비활성화합니다.

▶ **VCCIN Voltage [Auto]**

이 항목을 사용하여 CPU 입력 전압을 설정할 수 있습니다. CPU 입력 전압은 CPU 전원 소스로서 CPU 부품과 공유합니다.

▶ **Current VCCIN Voltage**

이 항목은 현재 CPU VCCIN 전압을 표시합니다. (읽기 전용)

▶ **CPU Core Voltage Mode/ CPU Ring Voltage Mode/ CPU GT Voltage Mode [Auto]**

이 항목을 사용하여 위의 전압에 대한 제어 모드를 선택할 수 있습니다.

[Auto] 이 설정은 BIOS에서 자동으로 구성됩니다.

[Adaptive Mode] 적응 전압을 자동으로 설정하여 시스템 성능을 최적화합니다.

[Override Mode] 위의 전압을 수동으로 설정합니다.

▶ **CPU Core Voltage/ CPU Ring Voltage/ CPU GT Voltage [Auto]**

이 항목을 사용하여 위의 전압을 설정할 수 있습니다. "Auto"로 설정하여 BIOS에서 이 전압을 자동으로 설정하거나 또는 수동으로 설정할 수 있습니다.

▶ **CPU Core Voltage Offset Mode/ CPU Ring Voltage Offset Mode/ CPU GT Voltage Offset Mode/ CPU SA Voltage Offset Mode/ CPU IO Analog Voltage Offset Mode/ CPU IO Digital Voltage Offset Mode [Auto]**

이 항목을 사용하여 전압 오프셋 모드를 선택할 수 있습니다.

[Auto] 이 설정은 BIOS에서 자동으로 구성됩니다.

[+] positive 오프셋 전압을 설정합니다.

[-] negative 오프셋 전압을 설정합니다.

▶ **CPU Core Voltage Offset/ CPU Ring Voltage Offset/ CPU GT Voltage Offset/ CPU SA Voltage Offset/ CPU IO Analog Voltage Offset/ CPU IO Digital Voltage Offset [Auto]**

이 항목을 사용하여 전압 오프셋 값을 설정할 수 있습니다.

▶ **Current CPU Core Voltage/ Current CPU Ring Voltage/ Current CPU GT Voltage/ Current CPU SA Voltage/ Current CPU IO Digital Voltage**

이 항목은 현재 전압을 표시합니다. (읽기 전용)

▶ **Internal VR OVP OCP Protection [Auto]**

이 항목을 사용하여 CPU 내부 VR (Voltage Regulator)의 과전압 및 과전류 보호 기능을 활성화 또는 비활성화할 수 있습니다.

[Auto] 이 설정은 BIOS에서 자동으로 구성됩니다.

[Enabled] CPU 내부 VR의 과전압 및 과전류 보호 제한 값을 설정합니다.

[Disabled] 이 기능을 비활성화합니다.

▶ **Internal VR Efficiency Management [Auto]**

이 기능을 활성화 또는 비활성화합니다.

[Auto] 이 설정은 BIOS에서 자동으로 구성됩니다.

[Enabled] 이 기능을 활성화하여 전력 소비를 감소합니다.

[Disabled] 이 기능을 비활성화합니다.

▶ **DRAM Voltage [Auto]**

이 항목을 사용하여 메모리 전압을 설정할 수 있습니다. "Auto"로 설정하여 BIOS에서 메모리 전압을 자동으로 설정하거나 또는 수동으로 설정할 수 있습니다.

▶ **Current DRAM Voltage**

이 항목은 현재 메모리 전압을 표시합니다.(읽기 전용)

▶ **CPU Memory Changed Detect [Enabled]**

이 기능을 활성화 또는 비활성화하여 CPU 또는 메모리가 교체되었을 경우, 시스템 부팅 시 경고 메시지가 나타날지를 결정합니다.

[Enabled] 부팅시 경고 메시지가 나타나며 새 장치에 필요한 기본 값을 로드해야 합니다.

[Disabled] 이 기능을 비활성화 하고 현재 BIOS 설정을 유지합니다.

▶ **Spread Spectrum**

이 기능은 펄스 조절로 생성된 EMI (Electromagnetic Interference)를 줄여줍니다.

[Enabled] 이 기능을 활성화하여 EMI (Electromagnetic Interference)를 줄여줍니다.

[Disabled] CPU 베이스 클럭의 오버클로킹 능력을 향상시킵니다.



중요사항

- EMI 문제가 발생하지 않을 경우 최적의 시스템 안정성 및 성능을 위해 [사용 안함]으로 설정합니다. 그러나 EMI 로 인해 문제가 발생할 경우 EMI 감소를 위해 대역 확산 값을 선택하세요.
- 대역 확산 값이 클수록 EMI는 감소되지만 시스템의 안정성은 저하됩니다. 가장 적합한 대역 확산 값은 해당 지역의 EMI 규정을 참조하세요.
- 사소한 지터조차도 클럭 속도를 일시적으로 상승시키면 오버클로킹한 프로세서를 고정시키는 원인이 될수 있으므로 오버클로킹을 진행하는 동안 대역 확산을 반드시 [사용 안함]으로 설정해야 합니다.

▶ CPU Specifications

<Enter>를 눌러 서버 메뉴를 시작합니다. 이 서버 메뉴는 설치된 CPU의 정보를 표시합니다. 사용자는 언제든지 [F4]키를 눌러 정보 메뉴에 액세스할 수 있습니다. (읽기 전용)

▶ CPU Technology Support

<Enter>를 눌러 서버 메뉴를 시작합니다. 이 서버 메뉴는 설치된 CPU가 지원하는 주요 기능을 표시합니다. (읽기 전용)

▶ MEMORY-Z

<Enter>를 눌러 서버 메뉴를 시작합니다. 이 서버 메뉴는 설치된 메모리의 모든 설정과 타이밍을 표시합니다. 사용자는 언제든지 [F5]키를 눌러 정보 메뉴에 액세스할 수 있습니다.

▶ DIMM1~4 Memory SPD

<Enter>를 눌러 서버 메뉴를 시작합니다. 이 서버 메뉴는 설치된 메모리의 정보를 표시합니다. (읽기 전용)

▶ CPU Features

<Enter>를 눌러 서버 메뉴를 시작합니다.

▶ Hyper-Threading Technology [Enabled]

프로세서가 Hyper-Threading 기술을 지원하면, 사용자의 응답 시간을 최소화 할 수 있도록 연산 기능을 분배할 수 있습니다. 이 기술은 프로세서 안의 물리적인 멀티 코어에 여러개의 논리적인 프로세서를 두어 실시간으로 가상적인 연산을 분배할 수 있습니다. 이 방법을 활용하면, 시스템의 연산 능력을 극대화할 수 있습니다.

[Enable] Intel Hyper-Threading 기술을 활성화 함.

[Disabled] 운영 체제가 HT 기능을 지원하지 않으면 비활성화 함.

▶ Active Processor Cores [All]

이 항목을 사용하여 액티브 프로세서 코어 수를 선택할 수 있습니다.

▶ Limit CPUID Maximum [Disabled]

이 항목을 사용하여 확장 CPUID 값을 활성화 또는 비활성화할 수 있습니다.

[Enabled] BIOS 는 최대 CPUID 입력 값을 제한하여 확장 CPUID 값으로 프로세서를 지원하지 않는 이전 운영체제의 부팅 문제를 해결할 수 있습니다.

[Disabled] 실제 최대 CPUID 입력 값을 사용합니다.

▶ Execute Disable Bit [Enabled]

이 항목을 사용하여 Intel Virtualization technology(인텔 가상화 기술)을 활성화 또는 비활성화할 수 있습니다.

[Enabled] 이 기술을 활성화하면 플랫폼이 독립적인 파티션에서 여러 운영체제를 실행할 수 있고 시스템은 여러개의 가상화 시스템으로 작동합니다.

[Disabled] 이 기능을 비활성화합니다.

▶ Intel Virtualization Tech [Enabled]

이 항목을 사용하여 Intel Virtualization technology(인텔 가상화 기술)을 활성화 또는 비활성화할 수 있습니다.

[Enabled] 이 기술을 활성화하면 플랫폼이 독립적인 파티션에서 여러 운영체제를 실행할 수 있고 시스템은 여러개의 가상화 시스템으로 작동합니다.

[Disabled] 이 기능을 비활성화합니다.

▶ **Hardware Prefetcher [Enabled]**

하드웨어 프리페처(MLC Streamer prefetcher) 기능을 활성화 또는 비활성화합니다.

[Enabled] 하드웨어 프리페처가 자동으로 데이터와 명령을 메모리에서 L2 캐시에 프리 페치하여 CPU 성능을 조정합니다

[Disabled] 이 기능을 비활성화합니다.

▶ **Adjacent Cache Line Prefetch [Enabled]**

CPU 하드웨어 프리페처(MLC Spatial prefetcher)를 활성화 또는 비활성화합니다.

[Enabled] 이 기능을 활성화하여 캐시 지연 시간을 줄이고 특정 응용 프로그램의 성능을 조정할 수 있습니다.

[Disabled] 지정된 캐시 라인만을 활성화합니다.

▶ **CPU AES Instructions [Enabled]**

CPU AES (Advanced Encryption Standard-New Instructions) 지원을 활성화 또는 비활성화합니다. 이 항목은 CPU가 이 기능을 지원하는 경우 나타납니다.

[Enabled] Intel AES 지원을 활성화합니다.

[Disabled] Intel AES 지원을 비활성화합니다.

▶ **Intel Adaptive Thermal Monitor [Enabled]**

이 기능을 활성화 또는 비활성화하여 CPU의 과열을 방지할 수 있습니다.

[Enabled] CPU의 온도가 적응 온도보다 높을 경우, CPU 코어의 클럭 속도를 낮춥니다.

[Disabled] 이 기능을 비활성화합니다.

▶ **Intel C-State [Auto]**

C-state는 ACPI에 의해 정의된 프로세서 전원 관리 기술입니다.

[Auto] 이 설정은 BIOS에서 자동으로 구성됩니다.

[Enabled] 시스템의 유휴 상태를 감지하고 그에 따라 CPU의 전력 소모를 줄여줍니다.

[Disabled] 이 기능을 비활성화합니다.

▶ **C1E Support [Disabled]**

C1E 기능을 활성화 또는 비활성화하여 시스템 유휴 상태에서 전력을 절약할 수 있습니다. 이 항목은 "Intel C-State" 기능이 활성화된 경우 나타납니다.

[Enabled] 이 기능을 활성화하여 CPU 주파수 및 전압을 줄이고 시스템 유휴 상태에서 전력을 절약할 수 있습니다.

[Disabled] 이 기능을 비활성화합니다.

▶ **Package C State limit [Auto]**

시스템 유휴 상태에서 전력 절약을 위한 CPU C-state 모드를 선택할 수 있습니다. 이 항목은 "Intel C-State" 기능이 활성화된 경우 나타납니다.

[Auto] 이 설정은 BIOS에서 자동으로 구성됩니다.

[C0~C7s] 절전 레벨을 낮아지는 순서로 배열하면 다음과 같습니다. C7s, C7, C6, C3, C2, C0.

[No limit] C-state 제한이 없습니다.

▶ **LakeTiny Feature [Disabled]**

iRST로 SSD에 대한 Intel Lake Tiny 기능을 활성화 또는 비활성화합니다. 이 항목은 설치된 CPU가 이 기능을 지원하고 "Intel C-State" 기능이 활성화된 경우 나타납니다.

[Enabled] 동적 IO 로드 성능을 향상시켜 SSD 속도를 가속화합니다.

[Disabled] 이 기능을 비활성화합니다.

참고: 다음 항목은 "Intel Turbo Boost " 기능이 활성화된 경우 나타납니다.

▶ **Long Duration Power Limit (W) [Auto]**

이 항목은 Turbo Boost 모드에서 CPU의 장 기간 TDP 전원 제한 값을 설정할 수 있습니다.

▶ **Long Duration Maintained (s) [Auto]**

이 항목은 "장 기간 전원 제한(W)"의 유지 시간을 설정할 수 있습니다.

▶ **Short Duration Power Limit (W) [Auto]**

이 항목은 Turbo Boost 모드에서 CPU의 단 기간 TDP 전원 제한 값을 설정할 수 있습니다.

▶ **CPU Current limit (A) [Auto]**

터보 부스트 모드에서 CPU 패키지의 최대 전류 제한 값을 설정합니다. 전류가 지정된 제한 값을 초과할 경우, CPU는 자동으로 코어 주파수를 낮춰 전류를 줄여줍니다.

▶ **1/2/3/4-Core Ratio Limit [Auto]**

이 항목은 설치된 CPU가 이 기능을 지원하는 경우에만 나타나며 터보 부스트 모드에서 다른 액티브 코어의 CPU 비율을 설정할 수 있습니다. 이 항목은 설치된 프로세서가 이 기능을 지원하는 경우 나타납니다.

日本語

この度はZ87-G41 PC Mate/ H87-G41 PC Mate/ B85-G41 PC Mate シリーズ (MS-7850 v1.X) ATXマザーボードをお買い上げいただき、誠にありがとうございます。最適のシステム性能のために、Z87-G41 PC Mate/ H87-G41 PC Mate/ B85-G41 PC Mateシリーズはインテル® Z87/ H87/ B85チップセットを搭載し、インテル® LGA1150プロセッサに対応したハイパフォーマンスデスクトップソリューションを構築することができます。

マザーボードの仕様

対応 CPU	<ul style="list-style-type: none"> ■ LGA 1150対応 第四世代Intel® Core™ i7 / Core™ i5 / Core™ i3 / Pentium® / Celeron® プロセッサ
チップセット	<ul style="list-style-type: none"> ■ インテル® Z87/ H87/ B85 Expressチップセット
対応メモリ	<ul style="list-style-type: none"> ■ DDR3スロット4本搭載、最大32GB搭載可能 ■ Z87-G41 PC MateはDDR3 3000(OC)/ 2800(OC)/ 2666(OC)/ 2600(OC)/ 2400(OC)/ 2200(OC)/ 2133(OC)/ 2000(OC)/ 1866(OC)/ 1600/ 1333/ 1066 MHzをサポート ■ H87-G41 PC MateおよびB85-G41 PC MateはDDR3 1600/ 1333/ 1066 MHzをサポート ■ デュアルチャンネルメモリアーキテクチャ ■ non-ECC、un-bufferedメモリをサポート ■ インテル® Extreme Memory Profile (XMP)をサポート
拡張スロット	<ul style="list-style-type: none"> ■ PCIe x16スロット x2 <ul style="list-style-type: none"> - PCI_E2はPCIe 2.0をサポート - x16, x4/x4モードをサポート ■ PCIe 2.0 x1スロット x2 ■ PCIスロット x2
オンボードグラフィックス	<ul style="list-style-type: none"> ■ VGAポート x1、最大解像度1920x1200 @ 60Hz, 24bppをサポート ■ DVI-Dポート x1、最大解像度1920x1200 @ 60Hz, 24bppをサポート ■ HDMIポート x1、最大解像度4096x2160@24Hz, 24bpp/ 2560x1600@60Hz, 24bpp/ 1920x1080@60Hz, 36bppをサポート
対応マルチGPU	<ul style="list-style-type: none"> ■ AMD CrossFire™テクノロジーをサポート
ストレージ	<ul style="list-style-type: none"> ■ Z87-G41 PC Mate/ H87-G41 PC Mate <ul style="list-style-type: none"> - インテルZ87/ H87 Expressチップセット - SATA 6Gb/sポート x6 (SATA1~6) - RAID 0, RAID1, RAID 5およびRAID 10をサポート - インテルスマートレスポンステクノロジー(Intel Smart Response Technology)、インテルラピッドスタートテクノロジー(Intel® Rapid Start Technology)とインテルスマートコネクテッドテクノロジー(Intel Smart Connect Technology)をサポート* ■ B85-G41 PC Mate <ul style="list-style-type: none"> - インテルB85 Expressチップセット - SATA 6Gb/sポート x4 (SATA1, SATA2, SATA3, SATA4) - SATA 3Gb/sポート x2 (SATA5, SATA6) - インテルスマートコネクテッドテクノロジー(Intel Smart Connect Technology)をサポート* <p>* Windows 7とWindows 8の環境でインテルCoreプロセッサをサポートします。</p>
USB	<ul style="list-style-type: none"> ■ インテルZ87/ H87/ B85 Expressチップセット <ul style="list-style-type: none"> - USB 3.0ポート x4 (2基のポートはI/Oパネルにであり、2基のポートは内部のUSBコネクタにより利用可能) - USB 2.0ポート x8 (4基のポートはI/Oパネルにであり、4基のポートは内部のUSBコネクタにより利用可能)
オーディオ	<ul style="list-style-type: none"> ■ Realtek® ALC887コーデック
LAN	<ul style="list-style-type: none"> ■ Realtek® RTL8111G Gigabit LANコントローラー

I/Oパネル コネクタ	<ul style="list-style-type: none"> ■ PS/2マウスポート x1 ■ PS/2キーボードポート x1 ■ USB 2.0ポート x4 ■ USB 3.0ポート x2 ■ HDMIポート x1 ■ VGAポート x1 ■ DVI-Dポート x1 ■ LAN (RJ45)ポート x1 ■ オーディオジャック x3
内部コネク ター	<ul style="list-style-type: none"> ■ 24ピンATXメイン電源コネクタ x1 ■ 8ピンATX 12V電源コネクタ x1 ■ SATAコネクタ x6 ■ USB 2.0コネクタ x2 (4基の追加USB 2.0ポートをサポート) ■ USB 3.0コネクタ x1 (2基の追加USB 3.0ポートをサポート) ■ 4ピンCPUファンコネクタ x2 ■ 4ピンシステムファンコネクタ x1 ■ 3ピンシステムファンコネクタ x2 ■ クリアCMOSジャンパ x1 ■ フロントパネルオーディオコネクタ x1 ■ システムパネルコネクタ x2 ■ ケース開放センサーコネクタ x1 ■ TPMモジュールコネクタ x1 ■ シリアルポートコネクタ x1 ■ パラレルポートコネクタ x1
I/O コント ローラー	<ul style="list-style-type: none"> ■ NUVOTON NCT6779コントローラーチップ
ハードウ ェアモニ ター	<ul style="list-style-type: none"> ■ CPU/システム温度の検知 ■ CPU/システムファン回転速度の検知 ■ CPU/システムファン回転速度のコントロール
BIOS 機能	<ul style="list-style-type: none"> ■ 64 Mbフラッシュ (for Z87-G41 PC Mate) ■ 128 Mbフラッシュ (H87-G41 PC Mate/ B85-G41 PC Mateに対応) ■ UEFI AMI BIOS ■ ACPI 5.0, PnP 1.0a, SM BIOS 2.7, DMI 2.0 ■ 多言語
特徴機能	<ul style="list-style-type: none"> ■ Military Class 4 ■ OC Genie 4 ■ Click BIOS 4 ■ AMD CrossFire ■ サウンドブラスターシネマ (Sound Blaster Cinema) (Z87-G41 PC Mateに対応) ■ クリアCMOSボタン ■ 完全なファンコントロール ■ スーパーRAID ■ Command Center

ソフトウェア	<ul style="list-style-type: none"> ■ ドライバー ■ MSI <ul style="list-style-type: none"> - Command Center - Super Charger - Super RAID - Live Update 5 - Fast Boot ■ 7-ZIP ■ Intel Extreme Tuningユーティリティ ■ Norton Internet Security Solution ■ Trend Micro SafeSync ■ Sound Blaster Cinema (Z87-G41 PC Mateに対応) ■ Network genie ■ Small Business Advantage (H87-G41 PC Mate/ B85-G41 PC Mateに対応)
寸法	<ul style="list-style-type: none"> ■ ATX 寸法 ■ 12 in. x 8.7 in. (30.5 cm x 22 cm)

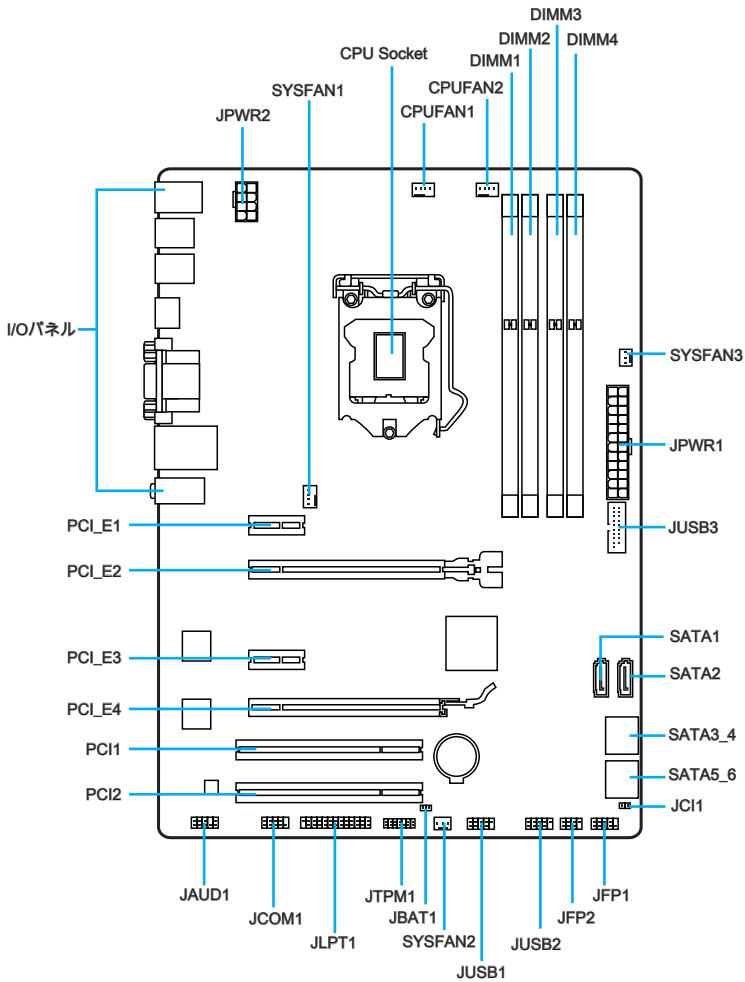


最新のCPU対応表は下記Webサイトをご参照ください。
<http://www.msi.com/service/cpu-support/>



最新のメモリモジュール対応状況については 下記Webサイトをご参照ください。
<http://www.msi.com/service/test-report/>

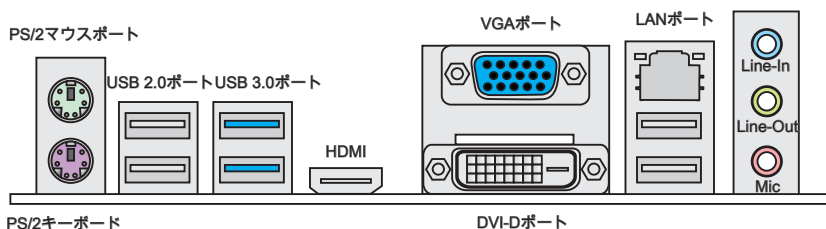
コネクタクイックガイド



コネクタ参照ガイド

ポート名前	ポートタイプ	ページ
I/Oパネル	CPUおよびヒートシンクの装着	Jp-7
CPU	LGA1150 CPUソケット	Jp-9
CPUFAN1~2,SYSFAN1~3	ファン電源コネクタ	Jp-19
DIMM1~4	DDR3メモリスロット	Jp-13
JAUD1	フロントパネルオーディオコネクタ	Jp-22
JBAT1	クリアCMOSジャンパ	Jp-25
JCI1	ケース開放センサーコネクタ	Jp-22
JCOM1	シリアルポートコネクタ	Jp-23
JFP1, JFP2	システムパネルコネクタ	Jp-20
JLPT1	パラレルポートコネクタ	Jp-24
JPWR1~2	ATX電源コネクタ	Jp-15
JTPM1	TPMモジュールコネクタ	Jp-23
JUSB1~2	USB 2.0拡張コネクタ	Jp-21
JUSB3	USB 3.0拡張コネクタ	Jp-21
PCI_E2,4	PCIe x16拡張スロット	Jp-16
PCI_E1,3	PCIe x1拡張スロット	Jp-16
SATA1~6	SATAコネクタ	Jp-18

I/Oパネルクイックガイド



PS/2キーボード
ポート

DVI-Dポート

▶PS/2マウス/ キーボードポート

マザーボードはPS/2®、マウス/キーボードを接続するための標準PS/2®、マウス/キーボードミニDINコネクタが各一個ずつ設けられています。

▶USB 2.0ポート

キーボードやマウスなどのUSB 2.0機器を本製品へ接続する場合に使用します。

▶USB 3.0ポート

USB 3.0ポートはUSB 2.0デバイスと併用できます。データ転送速度は最大5 Gbit/sまでをサポートします (超高速)。



USB 3.0デバイスを使用前に、必ずUSB 3.0ケーブルでデバイスをUSB 3.0ポートに接続します。

▶HDMIポート

HDMI™
HIGH-DEFINITION MULTIMEDIA INTERFACE

HDMI (High-Definition Multimedia Interface)は同一端内で映像信号と音声信号をデジタル出力することができます。信号の劣化が少なく、接続が簡単であることから、急速に普及が進んでいる規格です。

▶VGAポート

外部モニターに映像をアナログ出力する端子です。

▶DVI-Dポート

DVI-D (Digital Visual Interface-Digital)コネクタはアダプタでLCDモニターあるいはCRTモニターに接続されます。詳細についてはモニターマニュアルを参照して下さい。

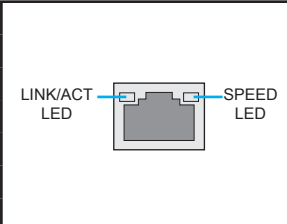


本製品はデュアル/トリプルディスプレイ機能をサポートします。

	HDMI+VGA	HDMI+DVI	VGA+DVI	HDMI+VGA+DVI
拡張モード (デスクトップを2番/3番目のモニタに拡張する)	○	○	○	○
クローンモード (すべてモニタは同じ画面がある)	○	○	○	○

▶ LANポート

コンピューターをローカルエリアネットワーク (LAN) 環境へ接続する際に使用しません。

	LED	LED状態	解説
	Link/ Activity LED (リンク/ アクティビティ LED)	Off	
黄色			リンクしています。
点滅			データが通信中です。
Speed LED (スピード LED)	Off		10 Mbpsの通信速度
	緑色		100 Mbpsの通信速度
	オレンジ		1 Gbpsの通信速度

▶ オーディオポート

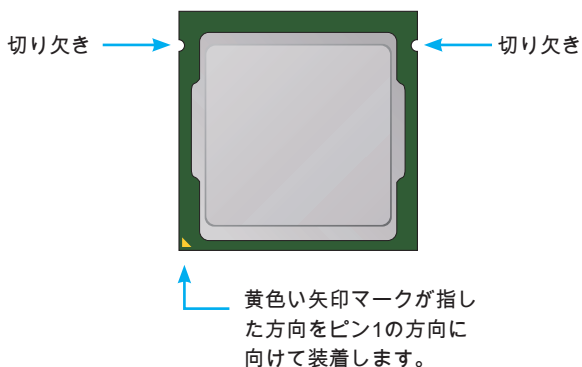
各チャンネルごとにコネクタ部の色を分類しており、ジャックの色と合わせることで簡単に接続が可能です。

- 青色- Line in: 外付けCDプレイヤー、オーディオプレイヤーなどの機器を接続します。
- 緑色- Line out: スピーカあるいはヘッドホンを接続します。
- ピンク- Mic: マイクを接続します。

CPUに関する注意事項

LGA 1150 CPUについて

マザーボードの置くことには、CPUを正しく並べるために、LGA1150 CPUのヒートスプレッダ側には位置決めのため2箇所、黄色い三角印一個があります。黄色い矢印マークが指した方向をピン1の方向に向けて装着します。



過熱

過熱が起これるとCPUやシステムに破損を与える恐れがあります。システム組み立て後初回起動時に必ずCPUファンが正常に動作していることを確認してください。CPUクーラーをマザーボードへ装着する際、必要に応じてCPUとの接触面に適切な量のシリコングリスを塗布してください。

CPUの交換

CPUを交換する場合は必ずコンセントからATX電源コードを抜いた後に行ってください。通電中のCPUの交換はCPUの破損を招くだけでなく、感電する危険性があります。

CPUおよびヒートシンクの装着

CPUを取り付ける場合には、オーバーヒートを防ぐ、それにシステムの安定性のためにヒートシンクがCPUに密着するように確実に取り付けてください。下記の手順に従って正しくCPUとCPUヒートシンクを装着してください。装着方法を誤ると最悪の場合CPUやマザーボードなどの破損を招きます。

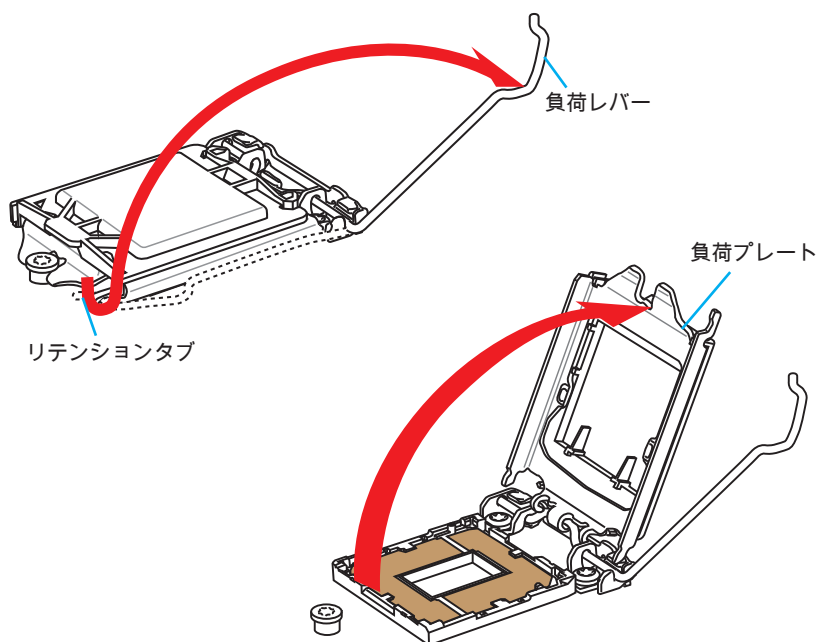
ビデオデモンストレーション

下記アドレスにてCPUとヒートシンクの取り付け方法をビデオで確認できます。

<http://youtu.be/bf5La099url>



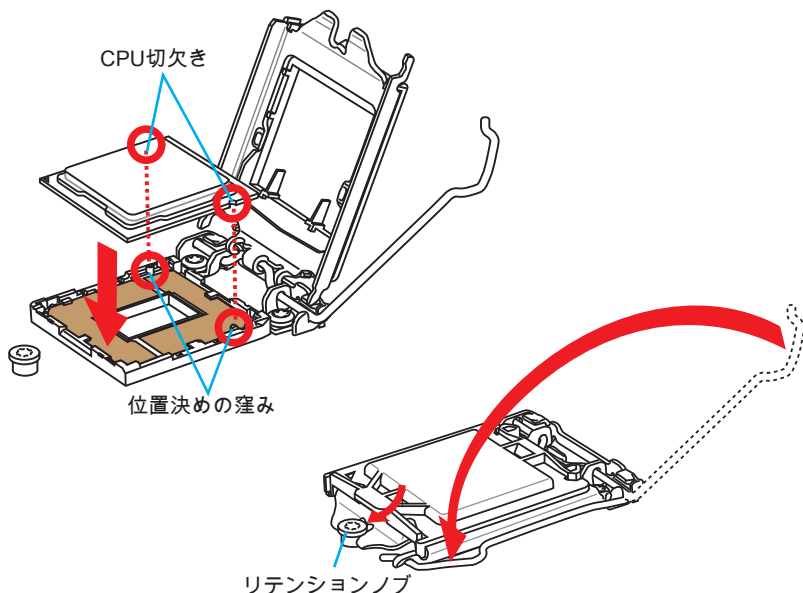
1. 最大開放位置まで ローディングレバーを外して起こします。
2. レバーが最大開放位置に引っ張られると、ローディングプレートが自動的に起こします。



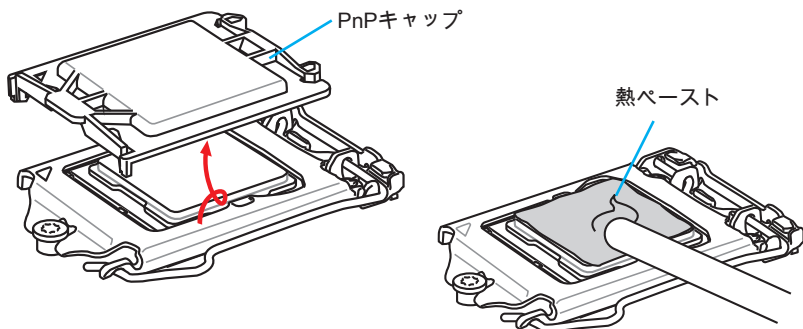
注意

ソケットの接点またはCPUの底を触れないでください。

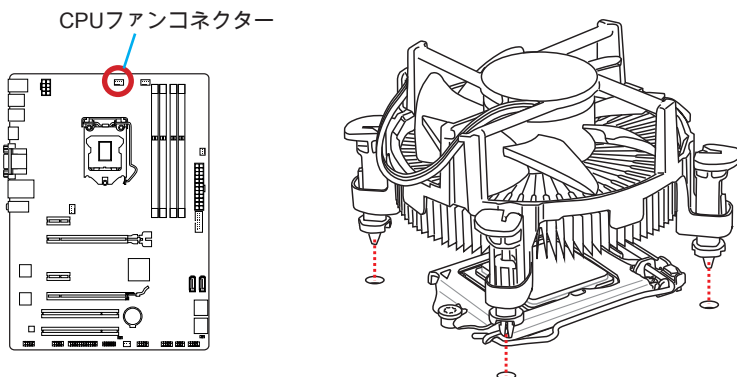
3. CPUの切欠きをソケットの窪みと合わせてください。傾けたり、CPUをソケットにすべり込ませることなく、まっすぐにCPUを下ろしてください。CPUが正しくソケットに収まっていることを確認してください。
4. 負荷プレートを閉めます。リテンションノブの下に滑り込ませ、負荷プレートを噛み合わせます。



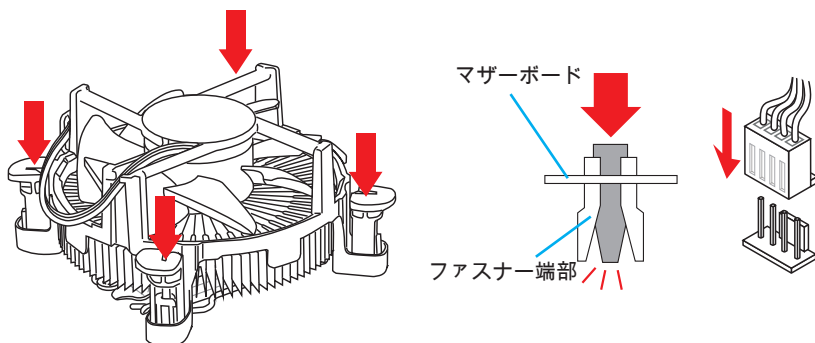
5. 負荷レバーを下ろすと、PnPキャップが自動的にCPUソケットから外れます。PnPキャップは絶対に捨てないでください。マザーボードからCPUを外して保管する場合は、必ずPnPキャップを元に戻してください。
6. 効果的な放熱とCPUの過熱の防止のために、CPUの上に薄い層の熱ペースト(または熱テープ)を均等に塗布してください。



7. マザーボードのCPUファンコネクターを探し出してください。
8. ファンのケーブルがファンコネクターに届く方向にCPUクーラーを向け、四つの留め具がマザーボードの固定穴に合うようCPUクーラーを置きます。



9. CPUクーラーの四つの留め具をマザーボードの固定穴に合わせ、クリック音が鳴るまでゆっくりと奥まで押し込みます。
10. 四つの留め具が正しく止められているかマザーボードを確認してください。
11. 最後に、CPUファンケーブルをマザーボードのコネクターに接続します。

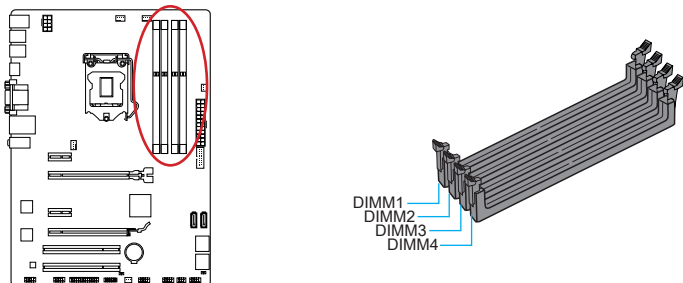


注意

- システムを起動する前に、必ずCPUヒートシンクがしっかり装着されたことを確認してください。
- ソケットに添付されるプラスチックカバーは捨てないでください。CPUを外して保管する場合は、このプラスチックカバーを装着し、ソケットのピンを保護してください。
- 単独のCPUとヒートシンク/クーラーを購入すると、装着については同梱の説明書をご参照ください。

メモリ

これらのDIMMスロットはメモリモジュールのインストール用です。最新のメモリモジュール対応表は下記のホームページを参照ください。 <http://www.msi.com/service/test-report/>



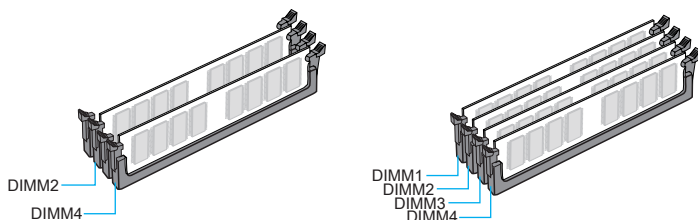
ビデオデモンストレーション

下記アドレスにてメモリの取り付け方法をビデオで確認できます。
<http://youtu.be/76yLtJaKICQ>



デュアルチャンネルモードソケットルール

デュアルチャンネルメモリアクセス方式は、二つのメモリデータバスチャンネルを同時に使用してデータの読み書きを行うことによりアクセススピードを向上させます。デュアルチャンネルを有効にするには、以下の組み合わせでメモリモジュールを装着します。

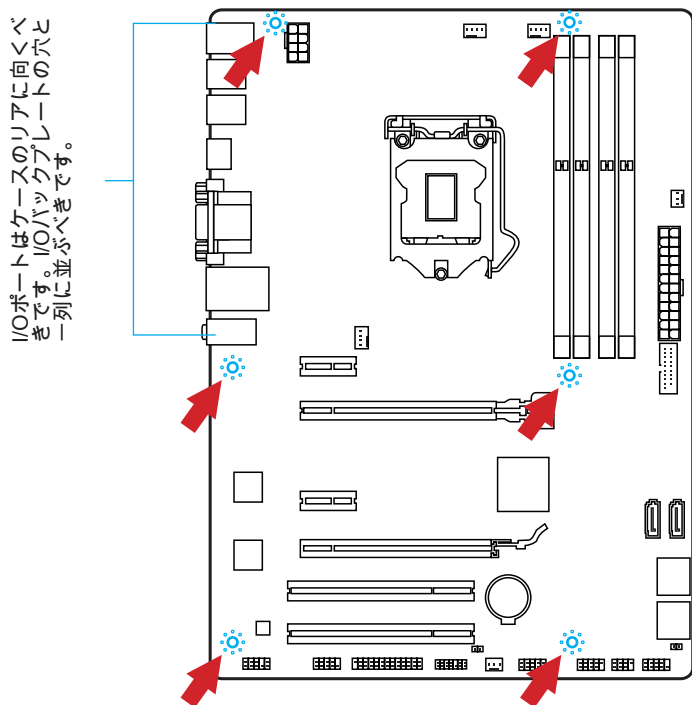


注意

- DDR3メモリモジュールとDDR2メモリモジュールは相互に物理的・電氣的規格の互換性がありません。本製品はDDR3メモリスロットを搭載しており、DDR3メモリモジュールを必ずご利用願います。本製品ではDDR2メモリモジュールはご利用頂けません。
- デュアルチャンネルアクセスを有効にする為には同一メーカーの同一メモリモジュールを装着してください。
- チップセットの仕様により、各DIMMスロットに8GBメモリモジュールを装着した場合正常に認識されません。(32GB未満での認識となります)

取付穴

マザーボードをインストールする時、最初にマザーボードに対して必要な取り付けスタンドをケース内の取付プレートにインストールしてください。ケース同梱のI/Oバックプレートをマザーボードの同梱物と共に提供されたI/Oバックプレートに取り替えます。I/Oバックプレートがねじを使用しないで、簡単にケースに嵌め込めるべきです。取付プレートのスタンドをマザーボードのねじ穴と整列させて、ケースと共に提供されたねじでマザーボードを固定します。ねじ穴の位置が以下のように表示されます。詳細についてはケース同梱のマニュアルを参照してください。



注意

- マザーボードを平面にインストールして、不要な破片の発生を防止します。
- マザーボードの損害を防止するために、マザーボードの回路とケースの間の接触あるいはケースに取り付けた不必要なスタンドオフが禁止されます。
- ショートを引き起こす恐れがあるために、マザーボード/ケースの内に金属のコンポーネントを取り付けないことを確認してください。

電源



ビデオデモンストレーション

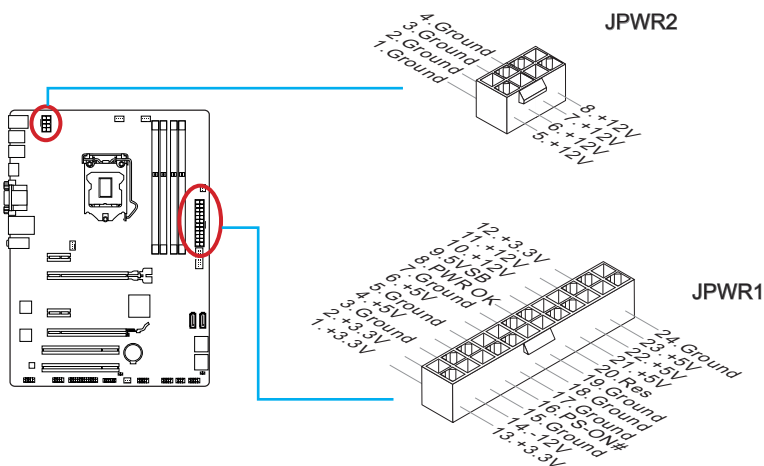
電源コネクターの取り付け方法はビデオで確認できます。

http://youtu.be/gkDYyR_8314



JPWR1~2: ATX電源コネクター

ATX電源を接続します。接続の際にはコネクターの向きに注意して奥までしっかり差し込んでください。通常はコネクターのフックの向きを合わせれば正しく接続されます。



注意

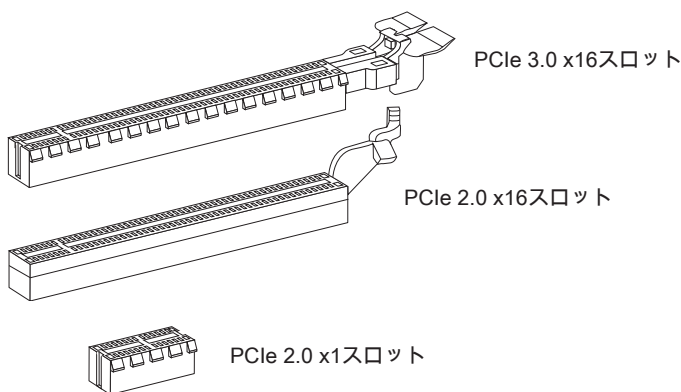
本製品を安定に動作させるには、すべての電源ケーブルを正しくATX電源コネクターに接続する必要があります。

拡張スロット

本製品は離散的なグラフィックスあるいはオーディオカードなどの拡張カードのために、多くのスロットを搭載しています。

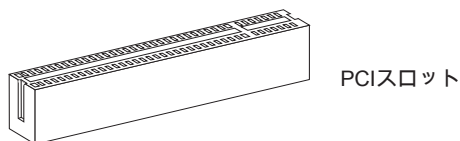
PCI_E1~4: PCIe拡張スロット

PCIeスロットはPCIeインターフェース拡張カードをサポートします。



PCI1~2: PCI拡張スロット

PCIスロットはPCIeインターフェース拡張カードをサポートします。



拡張カードの取り付け・取り外しの際はシステムの電源を落とし、必ず電源プラグを抜いてください。拡張カードのマニュアルを参照し、ジャンパ、スイッチ、BIOSなど必要なハードウェア設定、ソフトウェア設定を全て実行してください。

ビデオ/ グラフィックスカード

利用できれば、本製品はCPUの統合型グラフィックスプロセッサを利用しますが、離散的なビデオカードが拡張スロットを通じてインストールすることができます。離散的なビデオカードを1枚あるいは数枚追加すると、システムのグラフィックスの性能をはっきりと上げます。最適のために、MSIグラフィックスカードをお勧めします。

ビデオデモンストレーション

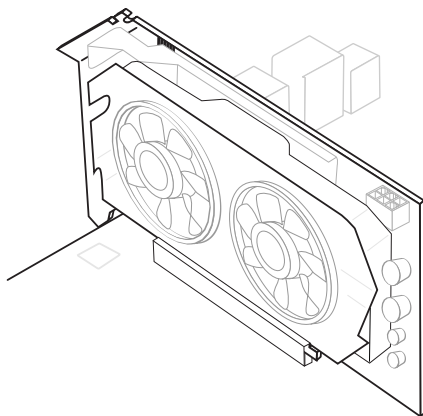
蝶形ロックでPCIe x16スロットにグラフィックスカードの取り付け方法をビデオで確認できます。

http://youtu.be/mG0GZpr9w_A



シングルビデオカードの装着

1. ビデオカードは使用する拡張スロットのタイプを決定します。マザーボードには拡張スロットを捜し出し、保護用のカバーを全部外します。
2. 拡張スロットにはのビデオカードをディスプレイポートと一列に並びます。シングルビデオカードの装着には、PCI_E2スロットを優先使用するのをお勧めします。
3. ビデオカードを拡張スロットに押しします。使用された拡張スロットによって、スロットにはクリップがあり、正しい位置にロックします。
4. 必要ならグラフィックスカードの縁をケースに固定します。いくつかのビデオカードが直接電源からの電源ケーブルを必要とするかもしれません。
5. ドライバーまたは他の特別の設定に関しての詳しい解説については、ビデオカードのマニュアルを参照してください。



内部コネクター

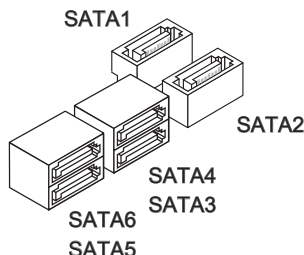
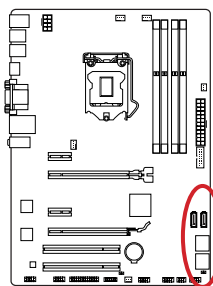
SATA1~6: SATAコネクター

このコネクターは高速SATAインターフェイスポートです。一つのコネクターにつき、一つのSATAデバイスを接続することができます。SATAデバイスはディスクドライブ (HDD)、フラッシュメモリドライブ (SSD)と光学ドライブ (CD/ DVD/ Blu-Ray)を含みます。

ビデオデモンストレーション

SATA HDDの取り付け方法をビデオで確認できません。

<http://youtu.be/RZsMpqqxythc>



Z87-G41 PC Mate/ H87-G41 PC Mateに対応

- SATA1~6 (6Gb/s、インテル® Z87/ H87による)

B85-G41 PC Mateに対応

- SATA1, SATA2, SATA3, SATA4 (6Gb/s、インテル® B85による)

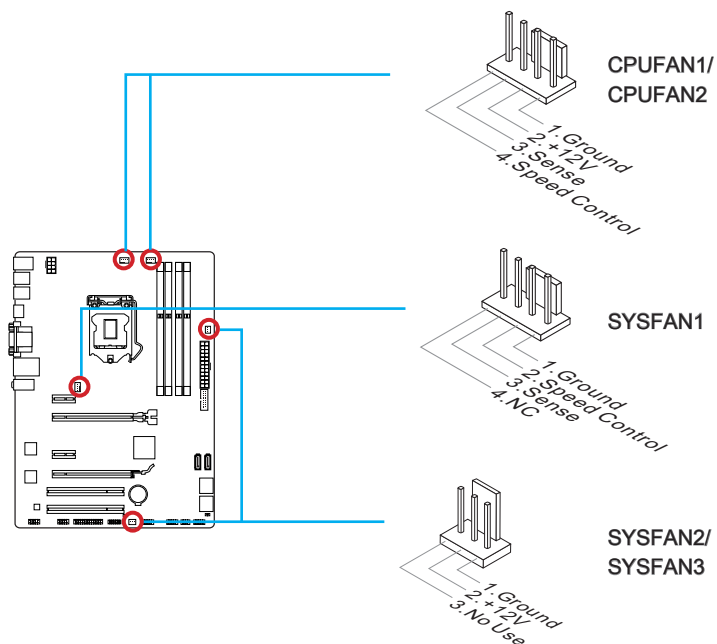
- SATA5, SATA6 (3Gb/s、インテル® B85による)

注意

- 多くのSATAデバイスも電源から電源ケーブルを必要とします。そんなデバイスはディスクドライブ (HDD)、フラッシュメモリドライブ (SSD)と光学ドライブ (CD/ DVD/ Blu-Ray)を含みます。詳細についてはデバイスのマニュアルをご参照ください。
- 多くのコンピューターケースは大きいSATAデバイスを必要とします。例えば、HDD、SSDと光学ドライブ、ケース内に固定されます。装着の詳細についてはケースまたはSATAデバイスの同梱のマニュアルをご参照ください。
- SATAケーブルは90度以上の角度に折り曲げないようにご注意ください。データ損失を起こす可能性があります。
- SATAケーブルの両端が同一です。然し、スペースの節約のために、平らなコネクターに接続することをお勧めします。

CPUFAN1~2, SYSFAN1~3: ファン電源コネクター

ファン電源コネクターは+12Vの冷却ファンをサポートします。本製品にはシステムハードウェアモニタチップセットを搭載すると、CPUファンコントロールを利用するために、スピードセンサー付けの、特に設計されたファンを使用しなければなりません。必ずすべてのファンを接続してください。一部のシステムファンがマザーボードに接続されなくて、その代わりに直ちに電源に接続されます。システムファンを何れかの利用可能なシステムファンコネクターに接続することができます。



注意

- CPUメーカーが推奨するファンを参照してください。
- これらのコネクターはスマートファンコントロールをサポートします。Command CenterユーティリティをインストールすることでCPUやシステムの温度から自動的にファンの回転数を制御することが出来ます。
- すべてのシステムファンの接続にはマザーボードのポートが足りない場合、アダプタが利用できて、ファンを直ちに電源に接続します。
- 最初の起動の前に、ケーブルがファンの葉身にぶつかるのを防止します。

JFP1, JFP2: システムパネルコネクター

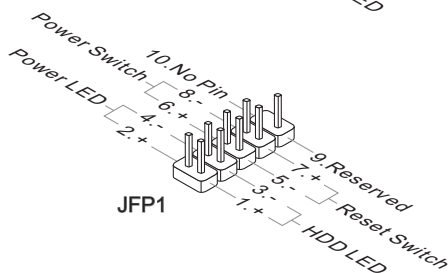
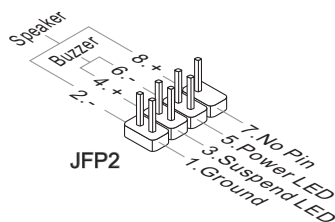
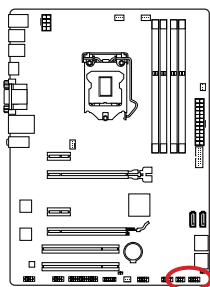
本製品にはケースのフロントパネルとの接続用にフロントパネルコネクターが用意されています。JFP1はインテル®のフロントパネル接続デザインガイドに準拠しています。オプションのM-Connectorを使用するとケーブルの取り付けが簡単になります。ケースからの配線をM-Connectorに差し込み、そのままJFP1へ接続します。



ビデオデモンストレーション

フロントパネルコネクターの取り付け方法はビデオで確認できます。

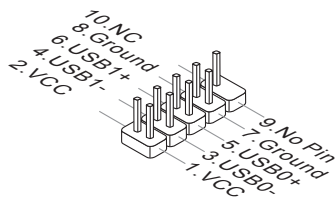
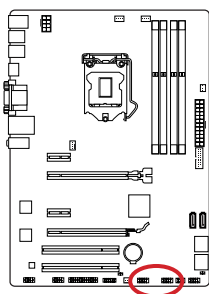
<http://youtu.be/DPELIdVNZUI>



- ケースからの配線で小さな三角形が記載されているピンは正極を示します。以下の図やM-Connector(オプション)を参照し、正しい位置に接続してください。
- コンピューターケースのフロントパネルコネクターの大部分は主としてJFP1に挿入されています。

JUSB1~2: USB 2.0拡張コネクター

このコネクターは高速USB周辺機器、例えば、外付けUSB HDDやデジタルカメラ、MP3プレイヤー、プリンタ、モデムなど様々な機器の接続に対応しています。

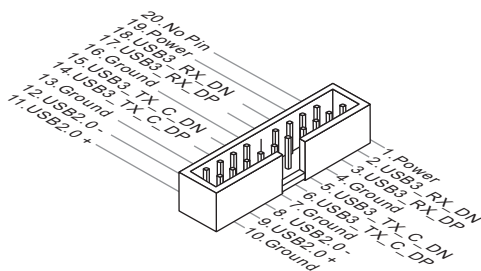
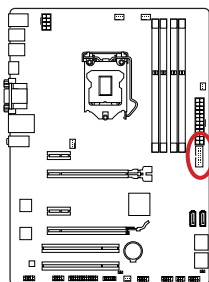


注意

VCCピンとGNDピンは必ず接続してください。接続しない場合、機器に重大な損傷を及ぼす恐れがあります。

JUSB3: USB 3.0拡張コネクター

USB 3.0ポートはUSB 2.0デバイスと併用できます。データ転送速度は最大5 Gbit/sまでをサポートします(超高速)。

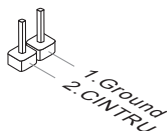
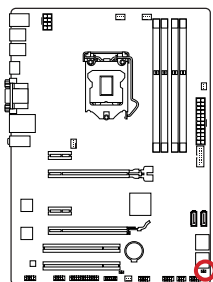


注意

- VCCピンとGNDピンは必ず接続してください。接続しない場合、機器に重大な損傷を及ぼす恐れがあります。
- USB 3.0デバイスを使用前に、必ずUSB 3.0ケーブルでデバイスをUSB 3.0ポートに接続します。

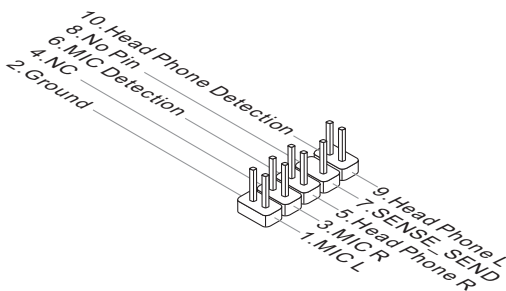
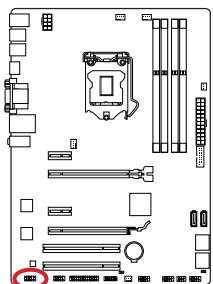
JCI1: ケース開放センサーコネクタ

このコネクタには2ピンのケーススイッチを接続します。ケースを開けると開放センサーがショートします。システムにはこの開放信号が記録され、警告メッセージが画面に表示されます。警告メッセージを消すには、BIOS画面を開いてメッセージを消去します。



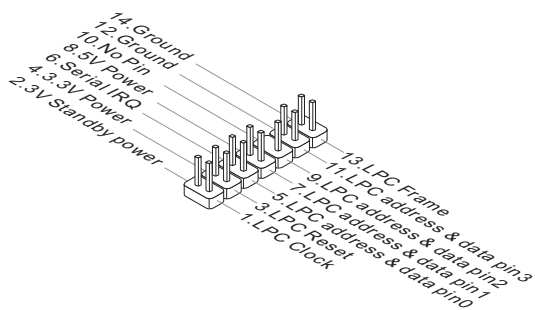
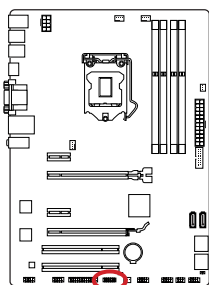
JAUD1: フロントパネルオーディオコネクタ

フロントパネルオーディオピンヘッダを使用するとケースのフロントパネルからのオーディオ出力が可能になります。ピン配列はインテル®のフロントパネル接続デザインガイドに準拠しています。



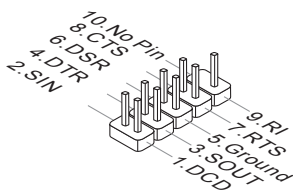
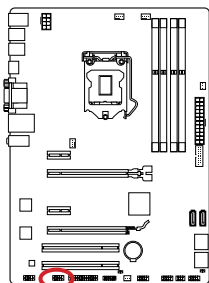
JTPM1: TPMモジュールコネクタ

このコネクタはTPM (Trusted Platform Module)を接続します。詳細についてはTPMセキュリティプラットフォームマニュアルを参照して下さい。



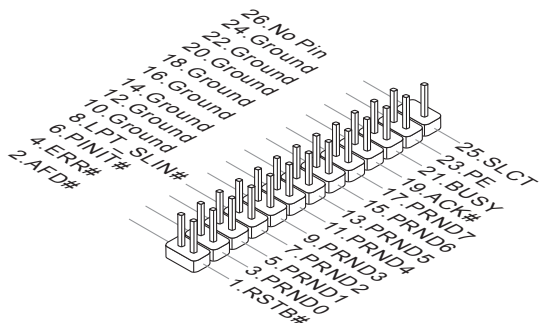
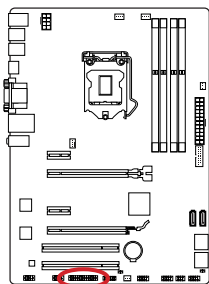
JCOM1: シリアルポートコネクタ

16550Aチップを採用した16バイトFIFOにてデータ転送を行います。このコネクタにシリアルマウスまたは他のシリアルデバイスを接続できます。



JLPT1: パラレルポートコネクタ

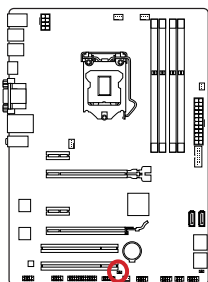
このコネクタはオプションの平行ポートブラケットを接続します。平行ポートは標準的なプリンターポートであり、EPP (Enhanced Parallel Port) と ECP(Extended Capabilities Parallel Port)モードをサポートします。



ジャンパ

JBAT1: クリアCMOSジャンパ

本製品にはBIOSの設定情報を保持するなどの目的でCMOSメモリを搭載しており、搭載するボタン電池から電力を供給することで情報を保持しています。このCMOSメモリに蓄えられたデバイス情報によって、OSを迅速に起動させることが可能になります。システム設定をクリアしたい場合はこのジャンパを押してください。



データを保存



データをクリア



注意

システムがオフの間に、このジャンパをショートすることでCMOS RAMをクリアします。それからジャンパを開きます。システム起動時のCMOSのクリアは絶対止めてください。マザーボードの破損や火災などに及ぶ危険があります。

ドライバーとユーティリティ

OSをインストールした後、パフォーマンスを最大化するために、ドライバーをインストールする必要があります。MSIのマザーボードはドライバーディスクを付いています。ドライバーはコンピューターがより効果的にマザーボードを利用して、提供の何れかの特別な機能を利用します。

ウイルスからコンピューターを保護するために、バンドルされたセキュリティプログラムをインストールすることができます。それに、他のさまざまなユーティリティを含みます。

Total Installer

Total Installerが使いやすく、必要なドライバーの発見には役立ちます。以下のステップに従ってドライバーとユーティリティをインストールします。

1. MSIドライバーディスクを光学ドライブに挿入します。OSにはautorunが有効になると、セットアップ画面が自動的に表示されます。
2. Total Installerをクリックします。ポップアップダイアログが表示され、必要なドライバーを全部リストされます。



クリックします。

3. ドライバー一覧表にはチェックボックスを選択します。
 4. Installボタンをクリックします。
 5. ソフトウェアのインストールが進行中です。完了すると、システムの再起動を促されます。
 6. OKをクリックして完了します。
 7. システムを再起動します。
- 同じ方法でユーティリティをインストールできます。

BIOSの設定

CLICK BIOSはMSIにより開発し、マウスとキーボードでBIOSのパラメーターを設定するために、パラメーターグラフィカルユーザーインターフェースを提供します。

CLICK BIOSで、ユーザーがBIOSの設定を変更し、CPUの温度を監視し、ブートデバイス優先順序を選択し、およびCPUの名前、DRAM容量、OSバージョンとBIOSバージョンなどのシステムの情報を見ることができます。バックアップ、または他人と共有するために、パラメーターデータをインポート/エクスポートすることもできます。

BIOSセットアップ画面の起動

電源を投入するとハードウェアの初期化が始まり、POST(Power On Self Test)画面が現れます。以下のメッセージが表示されている間に、キーを押してBIOSセットアップ画面を呼び出します。

**Press DEL key to enter Setup Menu, F11 to enter Boot Menu
(キーを押してセットアップ画面を呼び出して、F11キーを押してブート画面を呼び出す。)**

を押す前にこのメッセージが消えてしまった場合、電源をいったん切ってから再び投入するか、<RESET>を押すかして、システムを再起動してください。<Ctrl>、<Alt>と<Delete>を同時に押しても再起動できます。

MSIはさらにBIOSセットアップ画面を表示するための2つの方法を提供します。“MSI Fast Boot”ユーティリティ画面で“GO2BIOS”タブをクリックするか、マザーボード基板上の“GO2BIOS”ボタン(オプション)を押すことで、再起動後のPC起動時にBIOSセットアップ画面が表示されます。



“MSI Fast Boot”ユーティリティの“GO2BIOS”ボタンをクリックします。



注意

- BIOSセットアップ画面を表示するために、あらかじめ“MSI Fast Boot”ユーティリティをインストールしてください。
- BIOSはパフォーマンスの向上や問題改善のために、継続的に変更、修正が行われています。そのため、実際の製品と本書の内容に齟齬が発生してしまう場合があります。あらかじめご了承ください。

概要

BIOSに入った後、以下の画面が表示されます。



▶温度モニタ

このブロックはプロセッサとマザーボードの温度を表示します。

▶言語

BIOSの設定の言語を選択します。

▶システム情報

このブロックは時間、日付、CPUの名前、DRAM周波数、DRAM容量およびBIOSバージョンを表示します。

▶BIOSメニュー選択

これらのブロックはBIOSのメニューを選択します。以下のオプションが利用できません。

- SETTINGS - チップセットの機能とブートデバイスのための設定を指定します。
- OC - このメニューは周波数と電圧の調整の項目を含みます。周波数を増加すると、より優れた性能を実現できます。但し、高い周波数とヒートは不安定を引き起こす恐れがありますので、一般的なユーザーがオーバークロックを行うことをお薦めしません。
- M-FLASH - このメニューはUSBフラッシュディスクでBIOSをアップデートする方法を提供します。
- OC PROFILE - このメニューは様々なオーバークロックプロフィールを設定します。
- HARDWARE MONITOR - このメニューはファンの回転速度とシステムのモニタ電圧を設定します。
- BOARD EXPLORER - マザーボードのインストールされたデバイスの情報を表示します。

▶ブートデバイス優先順序バー

デバイスアイコンを移動して、ブート優先順序を変更します。



▶メニューディスプレイ

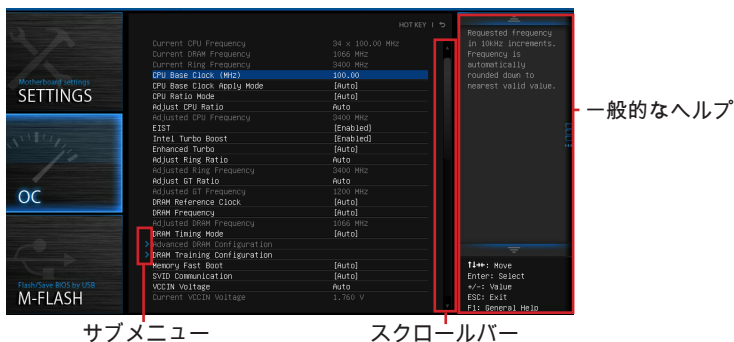
構成されたBIOS設定や情報を表示します。

▶Virtual OC Genieボタン

このボタンをクリックして、OC Genie機能を有効か無効にします。有効にすると、このボタンが点灯します。OC Genie機能を有効にするとMSIのオーバークロックプロファイルに応じて、自動的にオーバークロックが出来ます。

▶モデルの名前

マザーボードのモデルの名前を表示します。



▶サブメニュー

左手に点シymbolが表示されている項目は、サブメニューがあることを示します。サブメニューはフィールドのパラメーターのための追加のオプションを含みます。サブメニューに入るには、矢印キー(↑↓) /マウスで項目をハイライトして<Enter>キーを押します/マウスの左ボタンをダブルクリックします。

▶スクロールバー


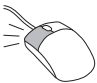
スクロールバーをスライドさせるか、矢印キーを使うことでメニュー画面のすべてのアイテムを表示させることが出来ます。

▶一般的なヘルプ

一般的なヘルプは簡潔な解説を表示し、選択したアイテムを理解の役に立ちます。

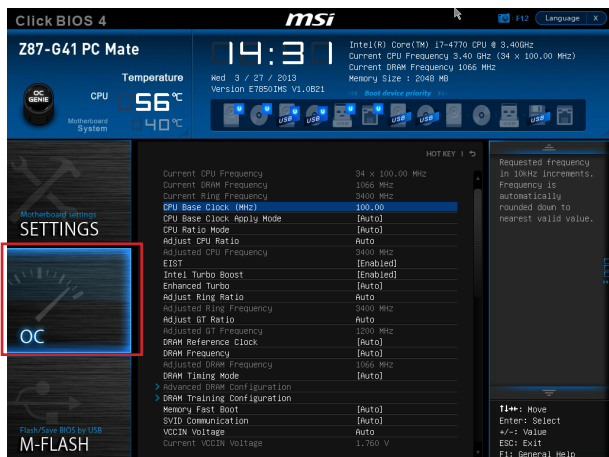
操作

マウスとキーボードでBIOS設定をコントロールすることを可能になります。下表はホットキーおよびマウス操作を列挙して解説します。

ホットキー	マウス	解説
<↑↓→←>	 カーソルを移動	項目を選択
<Enter>	 左ボタンをクリック/ ダブルクリック	アイコン/フィールドを選択
<Esc>	 右ボタンをクリック	サブメニューから終了メニューにジャンプし、または前のメニューに戻る
<+>	X	数値を上げるか、または変更を行う
<->		数値を下げるか、または変更を行う
<F1>		ヘルプを参照
<F4>		CPUの仕様
<F5>		Memory-Zの画面を呼び出す
<F6>		Optimized defaultsをロード
<F8>		USBからOCプロフィールをロード
<F9>		USBにOCプロフィールを保存
<F10>		設定変更を保存して元に戻す
<F12>		FAT/FAT32 USBドライブにスクリーンショットを保存

OCメニュー

このメニューで高級なユーザーがオーバークロックを行えます。



注意

- 高級なユーザー以外にPCを手動でオーバークロックすることをお勧めしません。
- オーバークロックによる故障は製品保証の対象外となりますのでご注意ください。不適当に操作すると、保証を無効にさせ、またはハードウェアを破損する危険性があります。
- ユーザーがオーバークロックに精通していない場合、OC Genieで簡単なオーバークロックを行うことをお勧めします。

▶ Current CPU/ DRAM/ Ring Frequency

CPUとメモリ、Ringの周波数を表示します。読み取り専用です。

▶ CPU Base Clock (MHz) [Default]

CPUベース周波数を設定します。設定値を変更するとCPUをオーバークロック出来ます。オーバークロック動作と、安定性については保証されないことに注意してください。CPUが本機能をサポートする場合のみこの項目は表示されます。

▶ Current CPU Base Clock Strap (Z87-G41 PC Mateに対応)

現在のCPUベースクロックストラップを表示します。読み取り専用です。CPUが本機能をサポートする場合にのみこの項目は表示されます。

▶ Adjust CPU Base Clock Strap [Auto]

CPUベースクロックストラップを設定します。設定値を変更すると、CPUベースクロックをオーバークロック出来ます。オーバークロック動作と、安定性については保証されないことに注意してください。CPUが本機能をサポートする場合のみこの項目は表示されます。"Auto"に設定すると、BIOSがこの設定を自動的に設定します。 [オプション: Auto, 1.00, 1.25, 1.67]

▶ CPU Base Clock Apply Mode [Auto]

変更したCPUベースクロックの適用モードを設定します。

- [Auto] BIOSにより自動的に設定を行います。
[Next Boot] 再起動のあと変更したCPUベースクロックで動作します。
[Immediate] 変更した設定が即座にCPUベースクロックに適用されます。

▶ CPU Ratio Mode [Auto]

CPU倍率の動作モードを選択します。

- [Auto] BIOSにより自動的に設定を行います。
[Fixed Mode] CPU倍率を固定します。
[Dynamic Mode] CPUの負荷によりcpu倍率が動的に変更されます。

▶ Adjust CPU Ratio [Auto]

CPU倍率を設定し、CPUクロックの速度を変更します。CPUがこの設定をサポートする場合にのみこの項目は表示されます。

▶ Adjusted CPU Frequency

現在のCPU周波数を表示します。読み取り専用です。

▶ EIST [Enabled]

Enhanced Intel® SpeedStepテクノロジーを有効か無効にします。

▶ Intel Turbo Boost [Enabled]

インテル®ターボブーストを有効か無効にします。CPUがこの設定をサポートする場合にのみこの項目は表示されます。

- [Enabled] システムがより高い性能を要求する場合、CPUの仕様範囲で自動的にCPUのクロックを上昇させます。
[Disabled] この機能を無効にします。

▶ Enhanced Turbo [Auto]

CPUの性能を上げるために、Enhanced Turbo機能を有効か無効にします。

- [Auto] BIOSにより自動的に設定を行います。
[Enabled] すべてのCPUコアが最大のターボ倍率に上げられます。
[Disabled] この機能を無効にします。

▶ OC Genie Switch [Gear1]

OC Genie機能のためにオーバークロックプロファイルの種類を選択します。"OC Genie Function Control"を[By BIOS Options]に設定すると、この項目が表示されます。

- [Gear1] オーバークロックのために、Gear1オーバークロックプロファイルを有効にします。
[Gear2] 極限のオーバークロックのために、Gear2オーバークロックプロファイルを有効にします。



- OC Genie機能を有効にした場合、OCメニューは手動で変更したり、デフォルト設定をロードしたりしないことをお勧めします。
- OC Genieモードを有効にしたままで、BIOSのアップデートやCMOSクリアーを行わないでください。BIOSのアップデートやOC Genieモードの失敗など、悪影響を与える可能性があります。

▶ Adjust Ring Ratio [Auto]

Ringの倍率を設定します。有効値の範囲は装着したCPUによって決定されます。

▶ Adjusted Ring Frequency

変更したRingの周波数を表示します。読み取り専用です。

▶ Adjust GT Ratio [Auto]

統合したグラフィックスの倍率を設定します。有効値の範囲は装着したCPUによって決定されます。

▶ Adjusted GT Frequency

変更した統合のグラフィックスの周波数を表示します。読み取り専用です。

▶ DRAM Reference Clock [Auto]

DRAM基準クロックを設定します。有効値の範囲は装着したCPUによって決定されます。CPUがこの設定をサポートする場合にのみこの項目は表示されます。

▶ DRAM Frequency [Auto]

DRAM周波数を設定します。オーバークロックによる動作は保証されませんのでご注意ください。

▶ Adjusted DRAM Frequency

変更したDRAM周波数を表示します。読み取り専用です。

▶ Extreme Memory Profile (X.M.P) [Disabled]

X.M.P. (Extreme Memory Profile)はメモリモジュールによるオーバークロックテクノロジーです。X.M.P.テクノロジーをサポートするメモリモジュールが装着された場合には、この項目が利用できます。

[Disabled] この機能を無効にします。

[Profile 1] 装着したXMPメモリモジュールのプロファイル1オーバークロック設定を使用します。

[Profile 2] 装着したXMPメモリモジュールのプロファイル2オーバークロック設定を使用します。

▶ DRAM Timing Mode [Auto]

メモリタイミングのモードを選択します。

[Auto] 装着したメモリモジュールのSPD (Serial Presence Detect)に合わせてDRAMタイミングが自動で設定されます。

[Link] すべてのメモリチャンネルのためにDRAMタイミングを手動で設定します。

[UnLink] それぞれのメモリチャンネルのためにDRAMタイミングを手動で設定します。

▶ Advanced DRAM Configuration

<Enter>キーを押すと、サブメニューが表示されます。“DRAM Timing Mode”には[Link]あるいは[Unlink]に設定すると、このサブメニューが有効になります。ユーザーがメモリの各チャンネルのためにメモリタイミングを設定することができます。メモリタイミングを変更した後、システムが不安定になるあるいは起動できない恐れがあります。その場合には、CMOSデータをクリアし、デフォルト設定に戻してください。(クリアCMOSジャンプボタンの節を参照し、クリア後BIOSの設定画面でデフォルト設定をロードしてください。)

▶ DRAM Training Configuration

<Enter>キーを押すと、サブメニューが表示されます。DRAMのそれぞれのトレーニング方法を有効か無効にします。メモリタイミングを変更した後、システムが不安定になるあるいは起動できない恐れがあります。その場合には、CMOSデータをクリアし、デフォルト設定に戻してください。(クリアCMOSジャンプボタンの節を参照し、それにBIOSの設定画面にデフォルト設定をロードしてください。)

▶ Memory Fast Boot [Auto]

起動時に実行されるメモリに対応したトレーニングプロセスについて有効が無効にします。

[Auto] BIOSにより自動的に設定を行います。

[Enabled] 初回起動時に実行したトレーニングのプロセスを記憶します。その後は毎回の起動時にトレーニングしなくなるため、システムの起動時間が早くなります。

[Disabled] 毎回の起動時にメモリトレーニングプロセスが開始されます。

▶ SVID Communication [Auto]

SVID (Serial Voltage Identification)サポートを有効が無効にします。

[Auto] BIOSにより自動的に設定を行います。

[Enabled] PWMフェーズがCPU SVID (Serial Voltage Identification)によって動的に変更します。

[Disabled] SVID (Serial Voltage Identification)サポートを無効にします。

▶ VCCIN Voltage [Auto]

CPU入力電圧を設定します。CPU入力電圧はCPUのコンポーネントと共有されているCPUの電源です。

▶ Current VCCIN Voltage

現在のCPU VCCIN電圧を表示します。読み取り専用です。

▶ CPU Core Voltage Mode/ CPU Ring Voltage Mode/ CPU GT Voltage Mode [Auto]

これらの電圧のためのコントロールモードを選択します。

[Auto] BIOSにより自動的に設定を行います。

[Adaptive Mode] システムの性能を最適化するために、自動的に適切な電圧を設定します。

[Override Mode] 手動で電圧を設定します。

▶ CPU Core Voltage/ CPU Ring Voltage/ CPU GT Voltage [Auto]

電圧を設定します。"Auto"に設定すると、BIOSが自動的に電圧を設定します。ユーザーが手動で設定することも出来ます。

▶ CPU Core Voltage Offset Mode/ CPU Ring Voltage Offset Mode/ CPU GT Voltage Offset Mode/ CPU SA Voltage Offset Mode/ CPU IO Analog Voltage Offset Mode/ CPU IO Digital Voltage Offset Mode [Auto]

電圧のオフセットモードを選択します。

[Auto] BIOSにより自動的に設定を行います。

[+] 正極のオフセット電圧を設定します。

[-] 負極のオフセット電圧を設定します。

▶ CPU Core Voltage Offset/ CPU Ring Voltage Offset/ CPU GT Voltage Offset/ CPU SA Voltage Offset/ CPU IO Analog Voltage Offset/ CPU IO Digital Voltage Offset [Auto]

各種の電圧のオフセット値を設定します。

▶ Current CPU Core Voltage/ Current CPU Ring Voltage/ Current CPU GT Voltage/ Current CPU SA Voltage/ Current CPU IO Digital Voltage

現在の電圧を表示します。読み取り専用です。

▶ **Internal VR OVP OCP Protection [Auto]**

CPU内部のVR（電圧レギュレータ）の過電圧保護と過電流保護を有効か無効にします。

[Auto] BIOSにより自動的に設定を行います。

[Enabled] 過電圧保護と過電流保護のため、CPU内部のVRに電圧限度を設定します。

[Disabled] オークロックにはこの機能を無効にします。

▶ **Internal VR Efficiency Management [Auto]**

CPU内部のVR効率管理を有効か無効にします。

[Auto] BIOSにより自動的に設定を行います。

[Enabled] 省電力制御のためのVR効率管理を有効にします。

[Disabled] この機能を無効にします。

▶ **DRAM Voltage [Auto]**

メモリ電圧を設定します。"Auto"に設定すると、BIOSが自動的にメモリ電圧を設定します。ユーザーが手動で設定することも出来ます。

▶ **Current DRAM Voltage**

現在のメモリ電圧を表示します。読み取り専用です。

▶ **CPU Memory Changed Detect [Enabled]**

CPUまたはメモリを交換した場合、ブート中に警告メッセージを出力するシステムを有効か無効にします。

[Enabled] システムがブート中に警告メッセージを発生し、新しいデバイス対応のデフォルト設定をロードします。

[Disabled] この機能を無効にし、現在のBIOS設定を保持します。

▶ **Spread Spectrum**

本機能はクロック変換器パルスを変調することで、電磁妨害を軽減する効果があります。

[Enabled] Spread spectrum機能を有効にし、電磁妨害を軽減します。

[Disabled] CPUベースクロックのオーバークロック性能を高めます。



- 特に電波障害などの問題が無い場合は、システムの安定性と性能を確保するために[Disabled]に設定して下さい。また、電波障害などが発生した場合は、必ず[Enabled]に設定して障害の軽減に努めて下さい。
- Spread Spectrumの値は大きければ大きいほどノイズ除去効果が高まりますが、システムの安定度は低下します。
- オークロック動作実験をする場合は、必ず[Disabled]に設定して下さい。

▶ CPU Specifications

<Enter>キーを押すと、サブメニューが表示されます。サブメニューには装着したCPUの設定を全部表示します。[F4]を押すと、いつでもこの情報メニューをアクセスできます。読み取り専用です。

▶ CPU Technology Support

<Enter>キーを押すと、サブメニューが表示されます。装着されたCPUのサポートするテクノロジーを示します。読み取り専用です。

▶ MEMORY-Z

<Enter>キーを押すと、サブメニューが表示されます。サブメニューには装着したメモリの設定やタイミングを全部表示します。[F5]を押すと、いつでもこの情報メニューをアクセスできます。

▶ DIMM1~4 Memory SPD

<Enter>キーを押すと、サブメニューが表示されます。装着されたメモリの情報を示します。読み取り専用です。

▶ CPU Features

<Enter>キーを押すと、サブメニューが表示されます。

▶ Hyper-Threading Technology [Enabled]

ハイパースレッディング機能に対応したCPUをお使いの場合、1つのCPUコアを2つの論理的なCPUコアとして認識させ、並列処理性能を高めることができます。ほとんどの場合、ハイパースレッディング機能を有効にすることでシステムの処理性能を向上できます。

[Enable] ハイパースレッディングテクノロジーを有効にします。

[Disabled] システムがHT機能をサポートしない場合、このアイテムを無効にします。

▶ Active Processor Cores [All]

アクティブプロセッサコアの数を選択します。

▶ Limit CPUID Maximum [Disabled]

拡張CPUID値を有効または無効にします。

[Enabled] 拡張のCPUID値でこのプロセッサをサポートしない以前のOSにはブートの問題を回避するために、BIOSがCPUID入力値を最大化します。

[Disabled] 実際の最大のCPUID入力値を使用します。

▶ Execute Disable Bit [Enabled]

本機能を有効にすることで、「バッファオーバーフロー攻撃」と呼ばれる悪意を持った行為からシステムを保護することができます。いつでもこの機能を有効に保持をお勧めします。

[Enabled] NO-Execution保護を有効にして、悪意の攻撃とワームを防ぎます。

[Disabled] この機能を無効にします。

▶ Intel Virtualization Tech [Enabled]

インテル仮想化テクノロジーの有効が無効にします。

[Enabled] 仮想化テクノロジーを有効にして、プラットフォームが独立の分割区分にマルチのOSを動作します。このシステムはほとんどマルチのシステムとして機能します。

[Disabled] この機能を無効にします。

▶ Hardware Prefetcher [Enabled]

ハードウェアプリフェッチャー (MLCストリーマ) を有効が無効にします。

[Enabled] CPU性能を最高の状態に調整するために、ハードウェアプリフェッチャーがメモリからL2 キャッシュに自動的にデータと解説を先取りします。

[Disabled] ハードウェアプリフェッチャーを無効にします。

▶ Adjacent Cache Line Prefetch [Enabled]

CPUハードウェアプリフェッチャー (MLC Spatial prefetcher)を有効が無効にします。

[Enabled] キャッシュの遅延時間を減少し、特定のアプリケーションの性能を最高の状態に調整するために、隣接キャッシュラインのプリフェッチを有効にします。

[Disabled] 要求したキャッシュラインのみ有効にします。

▶ CPU AES Instructions [Enabled]

CPU AES (Advanced Encryption Standard-New Instructions)サポートを有効が無効にします。CPUが本機能をサポートの場合には、この項目が表示されます。

[Enabled] インテルAESサポートを有効にします。

[Disabled] インテルAESサポートを無効にします。

▶ Intel Adaptive Thermal Monitor [Enabled]

CPUの過熱を防止するために、インテル適応型温度モニター機能を有効が無効にします。

[Enabled] CPUが適応型温度以上の場合には、CPUコアクロック速度を落とします。

[Disabled] この機能を無効にします。

▶ Intel C-State [Auto]

C-stateはACPIにより定義されたプロセッサ電力管理テクノロジーです。

[Auto] BIOSにより自動的に設定を行います。

[Enabled] システムのアイドル状態を検知し、状況に応じてCPUの電力消費を低減します。

[Disabled] この機能を無効にします。

▶ C1E Support [Disabled]

Halt状態に省電力のためにC1E機能を有効が無効にします。"Intel C-State"が有効な場合、この項目が表示されます。

[Enabled] Halt状態に省電力のためにC1E機能を有効にして、CPUの周波数と電圧を下げます。

[Disabled] この機能を無効にします。

▶ Package C State limit [Auto]

システムがアイドルには省電力のために、CPU C-stateモードを選択します。"Intel C-State"が有効な場合、この項目が表示されます。

[Auto] BIOSにより自動的に設定を行います。

[C0~C7s] 各ステートは消費電力の低い順に、C7s, C7, C6, C3, C2, C0となります。

[No limit] CPUにC-state制限がありません。

▶ **Lake Tiny Feature [Disabled]**

iRSTでSSDのパフォーマンスや電力を最適化するために、Intel Lake Tinyテクノロジーを有効か無効にします。CPUがこの設定をサポートする場合、それに“Intel C-State”が有効の場合に、この項目が表示されます。

[Enabled] ダイナミックIO負荷調節後のパフォーマンスを向上させ、SSDの速度を加速します。

[Disabled] この機能を無効にします。

注意: "Intel Turbo Boost "が有効になると、下記の項目は表示されます。

▶ **Long Duration Power Limit (W) [Auto]**

ターボブーストモードには長時間稼働時のTDP電力制限を調整します。

▶ **Long Duration Maintained (s) [Auto]**

"Long duration power Limit(W)"のために、電力制限維持時間を調整します。

▶ **Short Duration Power Limit (W) [Auto]**

ターボブーストモードにはCPUのために短時間のTDP電力制限を調整します。

▶ **CPU Current limit (A) [Auto]**

ターボブーストモードでの CPUの最大の電流制限を設定します。電流が指定の制限値を超えると、CPUが自動的にコア周波数を下げて電流を低減します。

▶ **1/2/3/4-Core Ratio Limit [Auto]**

本機能をサポートのCPUが装着された場合には、これらの項目が表示されます。ターボブーストモード時にアクティブとなっているコア数ごとのCPU倍率を設定できます。本機能をサポートのプロセッサが装着された場合には、これらのアイテムが表示されます。

繁體中文

期提供系統最佳化效能。搭配新

感謝您選購 Z87-G41 PC Mate/ H87-G41 PC Mate/ B85-G41 PC Mate 系列 (MS-7850 v1.X) ATX。本系列主機板係採用 Intel® Z87/ H87/ B85 晶片組，以期提供系統最佳化效能。搭配新一代的 Intel® LGA1150 架構處理器，呈現給您高效能及專業的桌上型電腦平台解決方案。

主機板規格

支援處理器	<ul style="list-style-type: none"> ■ 支援 LGA 1150 架構的第四代 Intel® Core™ i7 / Core™ i5 / Core™ i3 / Pentium® / Celeron® 處理器
晶片組	<ul style="list-style-type: none"> ■ Intel® Z87/ H87/ B85 Express 晶片組
支援記憶體	<ul style="list-style-type: none"> ■ 4 條 DDR3 插槽，支援總合最高 32GB ■ Z87-G41 PC Mate 支援 DDR3 3000(OC)/ 2800(OC)/ 2666(OC)/ 2600(OC)/ 2400(OC)/ 2200(OC)/ 2133(OC)/ 2000(OC)/ 1866(OC)/ 1600/ 1333/ 1066 MHz ■ H87-G41 PC Mate 及 B85-G41 PC Mate 支援 DDR3 1600/ 1333/ 1066 MHz ■ 雙通道記憶體架構 ■ 支援 non-ECC、un-buffered 記憶體 ■ 支援 Intel® Extreme Memory Profile (XMP)
擴充插槽	<ul style="list-style-type: none"> ■ 2 個 PCIe x16 插槽 <ul style="list-style-type: none"> - PCI_E2 支援 PCIe 3.0 - PCI_E4 支援 PCIe 2.0 - 支援 x16, x4/x4 運作模式 ■ 2 個 PCIe 2.0 x1 插槽 ■ 2 個 PCIe 插槽
內建顯示卡	<ul style="list-style-type: none"> ■ 1 個 VGA 連接埠，支援解析度最高可達 1920x1200 @ 60Hz, 24bpp ■ 1 個 DVI-D 連接埠，支援解析度最高可達 1920x1200 @ 60Hz, 24bpp ■ 1 個 HDMI 連接埠，支援解析度最高可達 4096x2160@24Hz, 24bpp/ 2560x1600@60Hz, 24bpp/ 1920x1080@60Hz, 36bpp
Multi-GPU 支援	<ul style="list-style-type: none"> ■ 支援 3-Way AMD® CrossFire™ 技術*
儲存	<ul style="list-style-type: none"> ■ Z87-G41 PC Mate/ H87-G41 PC Mate <ul style="list-style-type: none"> - Intel Z87/ H87 Express 晶片組 - 6 個 SATA 6Gb/s 連接埠 (SATA1~6) - 支援 RAID 0, RAID1, RAID 5 以及 RAID 10 - 支援 Intel® 智慧反應技術 (Intel Smart Response Technology)、Intel® 快速啟動技術 (Intel® Rapid Start Technology)、Intel® 智慧連線技術 (Intel Smart Connect Technology)* ■ B85-G41 PC Mate <ul style="list-style-type: none"> - Intel B85 Express 晶片組 - 4 個 SATA 6Gb/s 連接埠 (SATA1, SATA2, SATA3, SATA4) - 2 個 SATA 3Gb/s 連接埠 (SATA5, SATA6) - Intel® 智慧連線技術* <p>* 系統需求為 Windows 7 或 Windows 8 作業系統以及 Intel Core 系列處理器。</p>
USB 連接埠	<ul style="list-style-type: none"> ■ Intel Z87/ H87/ B85 Express 晶片組 <ul style="list-style-type: none"> - 4 個 USB 3.0 連接埠 (2 個位於背板, 2 個為內建) - 8 個 USB 2.0 連接埠 (4 個位於背板, 4 個為內建)
音效	<ul style="list-style-type: none"> ■ Realtek® ALC887 Codec
網路	<ul style="list-style-type: none"> ■ Realtek® RTL8111G Gigabit LAN 控制器

背板接頭	<ul style="list-style-type: none"> ■ 1 個 PS/2 鍵盤連接埠 ■ 1 個 PS/2 滑鼠連接埠 ■ 4 個 USB 2.0 連接埠 ■ 2 個 USB 3.0 連接埠 ■ 1 個 HDMI 連接埠 ■ 1 個 VGA 連接埠 ■ 1 個 DVI-D 連接埠 ■ 1 個 LAN (RJ45) 連接埠 ■ 3 個音效接頭
內連接頭	<ul style="list-style-type: none"> ■ 1 個 24-pin ATX 主電源接頭 ■ 1 個 8-pin ATX 12V 電源接頭 ■ 6 個 SATA 接頭 ■ 2 個 USB 2.0 接頭 (可另延伸 4 個 USB 2.0 連接埠) ■ 1 個 USB 3.0 接頭 (可另延伸 2 個 USB 3.0 連接埠) ■ 2 個 4-pin CPU 風扇接頭 ■ 1 個 4-pin 系統風扇接頭 ■ 2 個 3-pin 系統風扇接頭 ■ 1 個清除 CMOS 跳線 ■ 1 個音效接頭 ■ 2 個系統面板接頭 ■ 1 個機殼開啟接頭 ■ 1 個 TPM 模組接頭 ■ 1 個序列埠接頭 ■ 1 個平行埠接頭
I/O 控制器	<ul style="list-style-type: none"> ■ NUVOTON NCT6779 控制器晶片
硬體監控	<ul style="list-style-type: none"> ■ CPU/ 系統溫度偵測 ■ CPU/ 系統風扇速度偵測 ■ CPU/ 系統風扇速度控制
BIOS 功能	<ul style="list-style-type: none"> ■ 64 Mb flash (Z87-G41 PC Mate) ■ 128 Mb flash (H87-G41 PC Mate/ B85-G41 PC Mate) ■ UEFI AMI BIOS ■ ACPI 5.0、PnP 1.0a、SM BIOS 2.7、DMI 2.0 ■ 支援多國語
特色	<ul style="list-style-type: none"> ■ Military Class 4 ■ OC Genie 4 ■ Click BIOS 4 ■ AMD CrossFire ■ Sound Blaster Cinema (Z87-G41 PC Mate) ■ 清除 CMOS 按鈕 ■ Total Fan Control ■ Super RAID ■ Command Center

軟體	<ul style="list-style-type: none"> ■ 驅動程式 ■ MSI <ul style="list-style-type: none"> - Command Center - Super Charger - Super RAID - Live Update 5 - Fast Boot ■ 7-ZIP ■ Intel Extreme Tuning 程式 ■ Norton Internet Security Solution ■ Trend Micro SafeSync ■ Sound Blaster Cinema (Z87-G41 PC Mate) ■ Network genie ■ Small Business Advantage (H87-G41 PC Mate/ B85-G41 PC Mate)
尺寸	<ul style="list-style-type: none"> ■ ATX ■ 12 x 8.7 英寸 (30.5 x 22 公分)

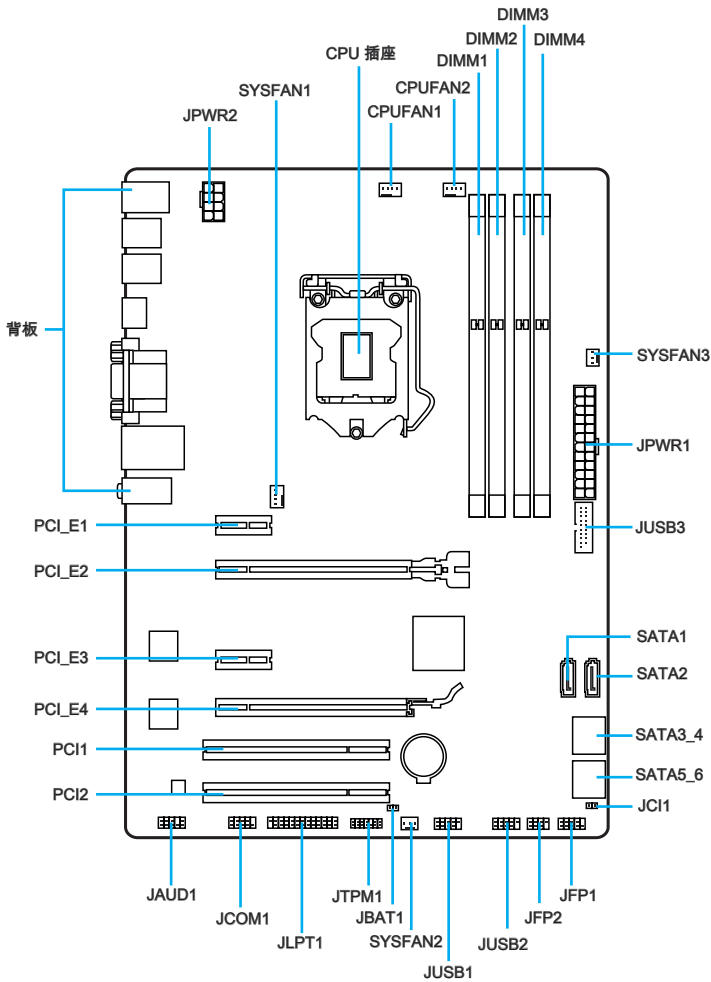


欲知更多 CPU 相關訊息，請造訪微星科技網站
<http://www.msi.com/service/cpu-support/>



欲知更多相容元件的相關訊息，請造訪微星科技網站
<http://www.msi.com/service/test-report/>

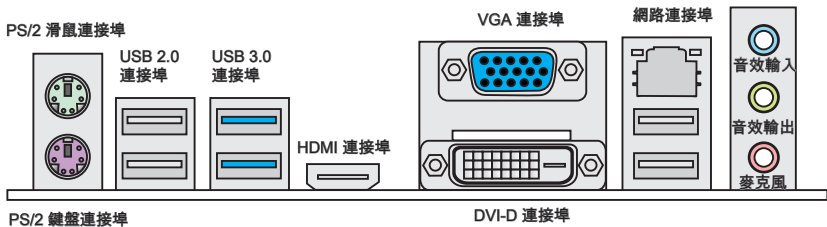
接頭快速指南



接頭對照說明

連接埠名稱	類型	頁碼
背板		Tc-7
CPU	LGA1150 架構 CPU 插座	Tc-9
CPUFAN1~2,SYSFAN1~3	風扇電源接頭	Tc-19
DIMM1~4	DDR3 記憶體插槽	Tc-13
JAUD1	音效接頭	Tc-22
JBAT1	清除 CMOS 跳線	Tc-25
JCI1	機殼開啟接頭	Tc-22
JCOM1	序列埠接頭	Tc-23
JFP1, JFP2	系統面板接頭	Tc-20
JLPT1	平行埠接頭	Tc-24
JPWR1~2	ATX 電源接頭	Tc-15
JTPM1	TPM 模組接頭	Tc-23
JUSB1~2	USB 2.0 擴充接頭	Tc-21
JUSB3	USB 3.0 擴充接頭	Tc-21
PCI_E2,4	PCIe x16 擴充插槽	Tc-16
PCI_E1,3	PCIe x1擴充插槽	Tc-16
SATA1~6	SATA 接頭	Tc-18

背板快速指南



▶ PS/2 滑鼠連接埠

PS/2[®] 滑鼠/鍵盤的 DIN 接頭，可接 PS/2[®] 滑鼠/鍵盤。

▶ USB 2.0 連接埠

USB (通用串列匯流排) 連接埠是用來連接鍵盤、滑鼠或其它與 USB 相容的裝置。

▶ USB 3.0 連接埠

USB 3.0 連接埠向下相容 USB 2.0 裝置，最高支援每秒 5 Gbit 的傳輸速率 (SuperSpeed)。



注意事項

要使用 USB 3.0 裝置，務必接到電腦的 USB 3.0 連接埠。請使用符合 USB 3.0 規格的 USB 連接線。

▶ HDMI 連接埠 **HDMI**[™] HIGH-DEFINITION MULTIMEDIA INTERFACE

高畫質多媒體介面 (HDMI)，是一種全數位化影像/聲音傳輸介面，可以傳送無壓縮的音效訊號及視訊信號。HDMI 支援任何電視格式，包括標準、加強或高畫質視訊畫面，以及單一排線上的多聲道數位音效。

▶ VGA 連接埠

本 DB15-pin 的母接頭為接顯示器使用。

▶ DVI-D 連接埠

DVI-D (數位影像介面) 連接埠，可接到 LCD 螢幕，或透過轉接器接到 CRT 螢幕。詳情請參閱螢幕使用手冊。

注意事項

本平台支援雙顯示及三重顯示功能。

	HDMI+VGA	HDMI+DVI	VGA+DVI	HDMI+VGA+DVI
延伸模式 (延伸桌面畫面到第 2 台甚至到第 3 台螢幕)	○	○	○	○
仿製模式 (螢幕均輸出相同的畫面)	○	○	○	○

▶ 網路連接埠

標準 RJ-45 插座，可連上區域網路。

	LED	LED 狀態	說明
	Link/ Activity LED (連線/工作燈號)	Off	未連線
黃燈		已連線	
閃爍中		Data activity	
Speed LED (速度燈號)	Off	傳輸速率 10 Mbps	
	綠	傳輸速率 100 Mbps	
	橘	傳輸速率 1 Gbps	

▶ 音效埠

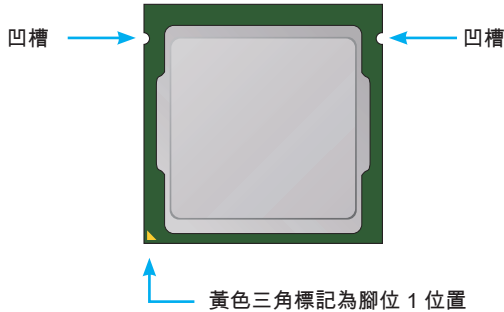
以下接頭供音效裝置使用，可由接頭顏色來區分不同音效功能。

- 藍 - 音效輸入：用以外接音效輸出裝置。
- 綠 - 音效輸出：作為喇叭或耳機接頭。
- 粉紅 - 麥克風：作為是接麥克風接頭。

CPU (中央處理器)

LGA 1150 CPU 架構簡介

LGA 1150 CPU 表面有 2 處凹槽及 1 處黃色三角標記，協助您在整個主機板配置中能正確擺放 CPU。黃色三角標記為腳位 1 位置。



注意事項

溫度過高

溫度過高會嚴重損壞 CPU 以及主機板。務必確認散熱風扇正常運作，以免 CPU 過熱。並於 CPU 與散熱器間均勻塗抹散熱膏 (或貼上散熱膠帶) 加強散熱。

更換 CPU

更換 CPU 時，為保險起見，應先關機後再拔掉電源線，以免損壞 CPU。

超頻

本主機板設計為可超頻運作。在將其調整為超頻運作時，請確認各系統零組件均可承受超頻設定。我們不建議使用者嘗試任何超出產品規格的操作，而且也不保證其所造成的損壞及操作時的風險。

安裝中央處理器與散熱風扇

在安裝 CPU 時，記得要裝上 CPU 散熱風扇，避免過熱以維持系統穩定。請依下列步驟，正確安裝 CPU 與 CPU 散熱風扇。不當的安裝可能會使 CPU 與主機板受損。

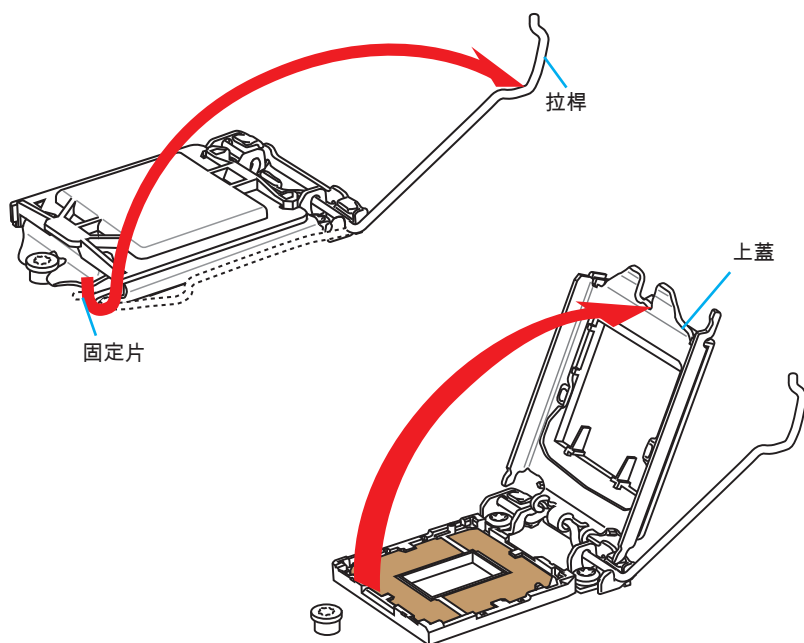


請進入以下連結，觀賞正確安裝 CPU & 風扇的方法。

<http://youtu.be/bf5La099url>



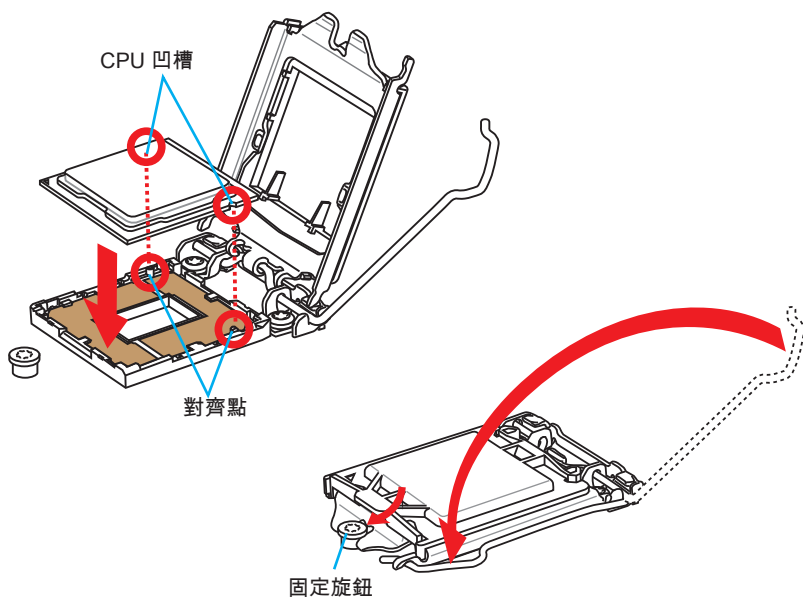
1. 鬆開拉桿到全開的位置。
2. 鬆開拉桿的同時，上蓋會順勢往上全開。



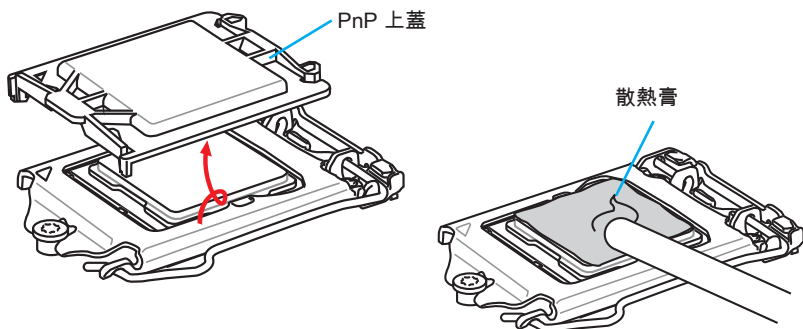
注意事項

請勿觸摸 CPU 插座針腳或 CPU 底部。

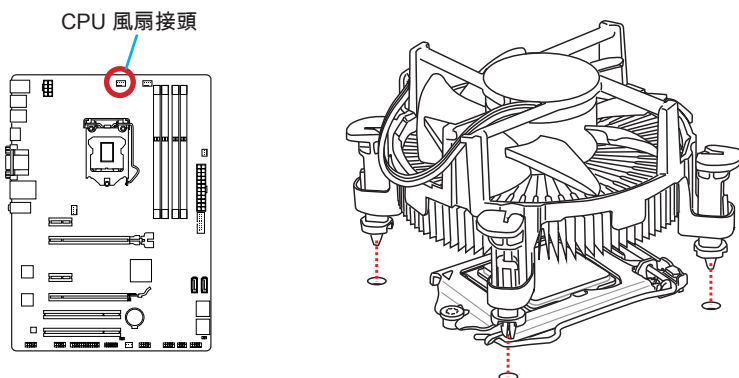
3. 將凹槽對準插座對齊點，將 CPU 往下平放，檢查 CPU 是否已安裝好在插座上。
4. 將拉桿下壓扣住。



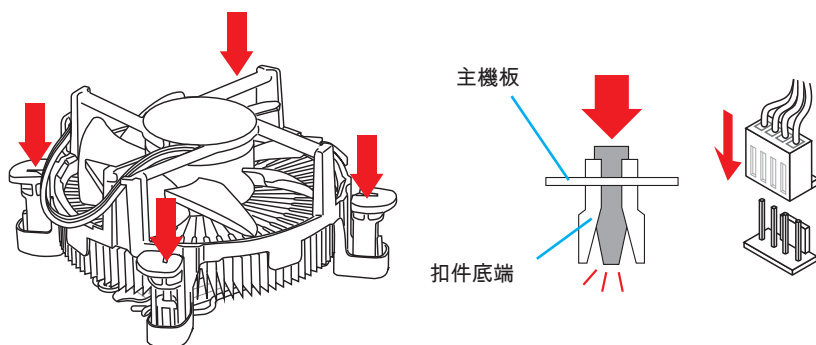
5. 壓下拉桿，PnP 上蓋會自動從 CPU 插座鬆開，請勿丟棄 PnP 上蓋，若插座未放置 CPU，請務必用 PnP 上蓋保護插座針腳。
6. 在 CPU 上方均勻塗抹一層厚的散熱膏 (或貼上散熱膠帶) 有助 CPU 散熱。



7. 找到主機板上的 CPU 風扇接頭。
8. 將散熱風扇放上主機板，將風扇排線往風扇接頭方向放，扣件對準主機板上的孔位。



9. 將散熱風扇向下壓穩，再將 4 個扣件往下壓固定散熱風扇。固定好會聽到喀噠聲。
10. 檢查主機板確認扣件均已固定好。
11. 最後將 CPU 風扇排線接到主機板上的 CPU 風扇接頭後即告完成。

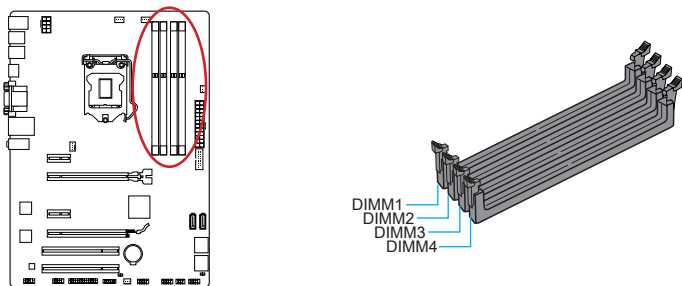


注意事項

- 確認 CPU 散熱風扇已與 CPU 黏緊後再開機。
- 未安裝 CPU 時，請用塑膠蓋保護 CPU 插座以免受損。
- 若另行購買 CPU 散熱風扇，請參閱該包裝內安裝細節。

記憶體

DIMM 插槽，是用來裝記憶體模組。有關更多記憶體的最新訊息，請至微星科技網站：
<http://www.msi.com/service/test-report/>



示範影片

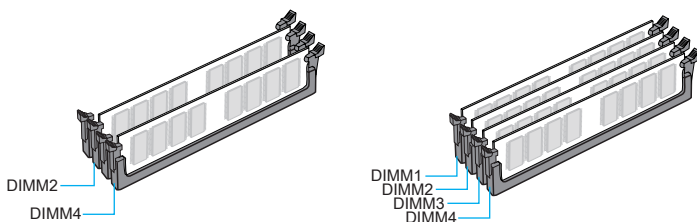
請進入以下連結，觀賞正確安裝記憶體模組的方法。

<http://youtu.be/76yLtJaKICQ>



雙通道模式安裝規則

雙通道模式下，記憶體模組可用 2 條匯流排同時傳送及接收資料。開啟雙通道模式可加強系統效能。以下圖示表示雙通道模式的安裝規則。

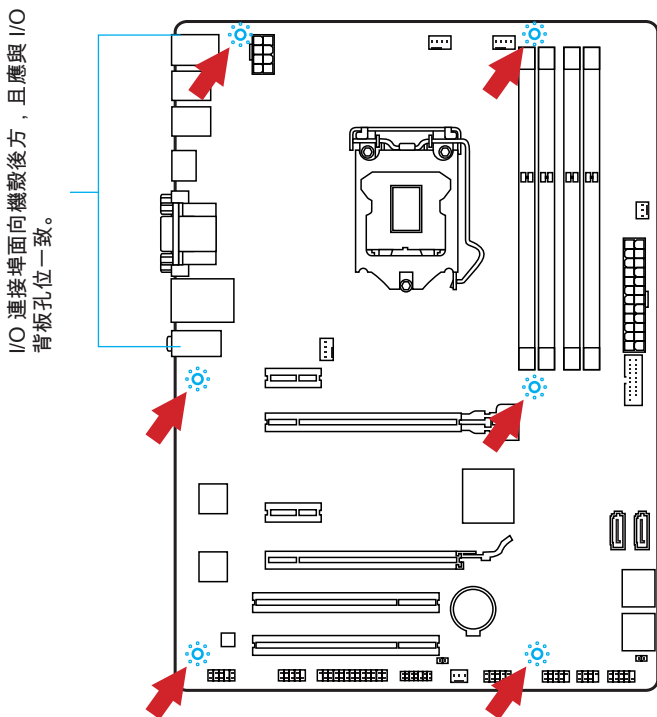


注意事項

- DDR3 記憶體模組無法向下相容，且無法與 DDR2 記憶體模組相互替換。請在 DDR3 記憶體插槽內插入 DDR3 記憶體模組。
- 為確保系統穩定，在雙通道模式下，請務必安裝相同規格且相同容量的記憶體模組。
- 因晶片資源的分配使用，在每個 DIMM 模組安裝 8GB 記憶體模組時，系統僅能偵測到 31+ GB 的容量 (而非 32GB 整)。

裝機孔

安裝主機板時，請先鎖上將主機板固定在機殼的支撐固定板。若機殼附有背板，請以主機板包裝隨附的背板取代機殼那片。背板不需螺絲即可卡進機殼。將六角螺絲柱對準主機板上的裝機孔，並以機殼所附的螺絲固定。主機板上的裝機孔如下圖所示。欲知更多詳情，請參閱機殼的使用手冊。



注意事項

- 請將主機板放在平坦的桌面安裝。
- 主機板電路及機殼間嚴禁任何碰觸，禁止鎖上非必要的六角螺絲柱，以免主機板受損。
- 為免主機板短路，請確認主機板上或機殼內均無鬆脫的金屬零件。

電源供應器



示範影片

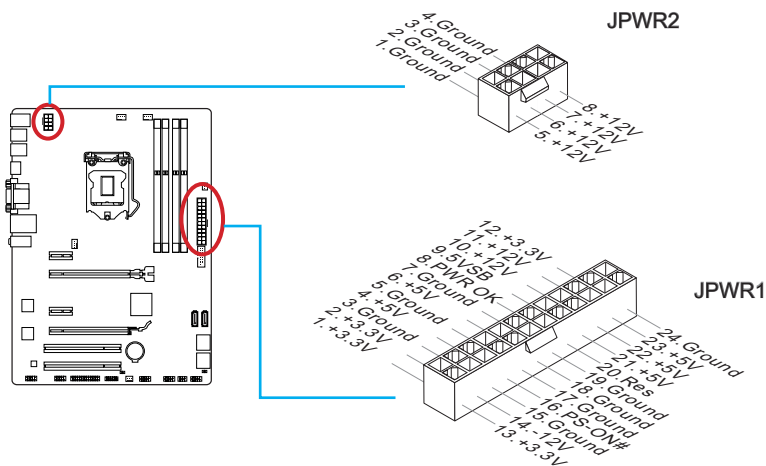
請進入以下連結，觀賞正確安裝電源接頭的方法。

http://youtu.be/gkDYyR_83I4



JPWR1~2 : ATX 電源接頭

這些接頭用來接 ATX 24-pin 電源供應器。連接電源供應器時，將電源線對齊接頭壓下。若壓入方向正確的話，電源線會扣住主機板的電源接頭。



注意事項

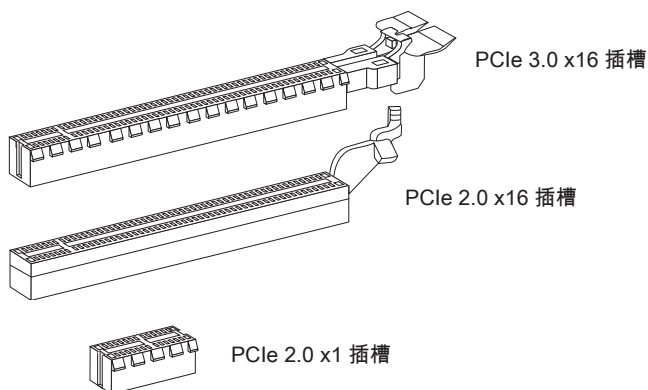
確認所有接頭全都穩固接到所屬的 ATX 電源供應器，以確保主機板穩定運作。

擴充插槽

本主機板搭載數個獨立顯示卡、音效卡等擴充卡的擴充插槽。

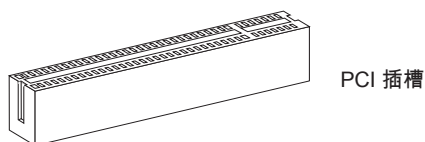
PCI_E1~4 : PCIe 擴充插槽

PCIe 插槽支援 PCIe 介面的擴充卡。



PCI1~2 : PCI 擴充插槽

PCI 插槽支援 PCI 介面的擴充卡。



注意事項

新增或移除擴充卡時，請確認已關機並拔除電源線。請詳讀擴充卡使用手冊，檢查使用擴充卡所需變更的軟硬體設定。

顯示卡

若主機板有支援顯示器接頭，並搭載內附顯示晶片的 CPU 處理器時，您就可以使用主機板內建圖形處理器。但利用主機板的擴充插槽來安裝獨立顯示卡也是另一種選擇。插入一張以上的獨立顯示卡會大幅提高系統的繪圖效能。建議使用 MSI 顯示卡以達最佳相容性。



示範影片

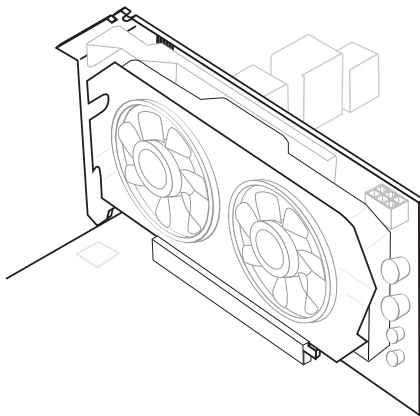
請進入以下連結，觀賞在 PCIe x16 插槽正確安裝顯示卡的方法。

http://youtu.be/mG0GZpr9w_A



安裝單張顯示卡

1. 確認顯示卡應安裝的擴充插槽類型後，在主機板上找到該插槽。移除機殼內擴充插槽上的保護蓋。
2. 將顯示卡以顯示埠朝機殼外的方向，對準擴充插槽上方。若只要安裝一張顯示卡，建議使用 PCI_E2 插槽。
3. 將顯示卡插入對應的擴充插槽。依使用的擴充插槽而定，應有卡榫固定。
4. 必要時，將顯示卡邊緣以螺絲固定於機殼。
5. 請參閱顯示卡使用手冊相關驅動程式或其它特殊設定。部份顯示卡可能需要獨立電源。



內建接頭

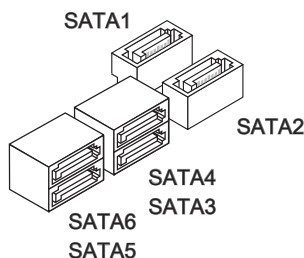
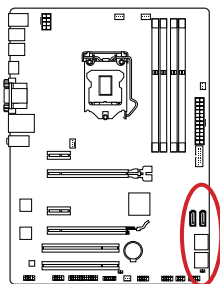
SATA1~6 : SATA 接頭

本接頭為高速 SATA 介面，可各接一台 SATA 裝置。SATA 裝置包括硬碟 (HDD)、固態硬碟 (SSD) 以及光碟機 (CD/ DVD/ Blu-Ray)。



請進入以下連結，觀賞正確安裝 SATA 硬碟的方法。

<http://youtu.be/RZsMpqxythc>



Z87-G41 PC Mate/ H87-G41 PC Mate

SATA1~6 (6Gb/s, 由 Intel® Z87 / H87 支援)

B85-G41 PC Mate

- SATA1, SATA2, SATA3, SATA4 (6Gb/s, 由 Intel® B85 支援)

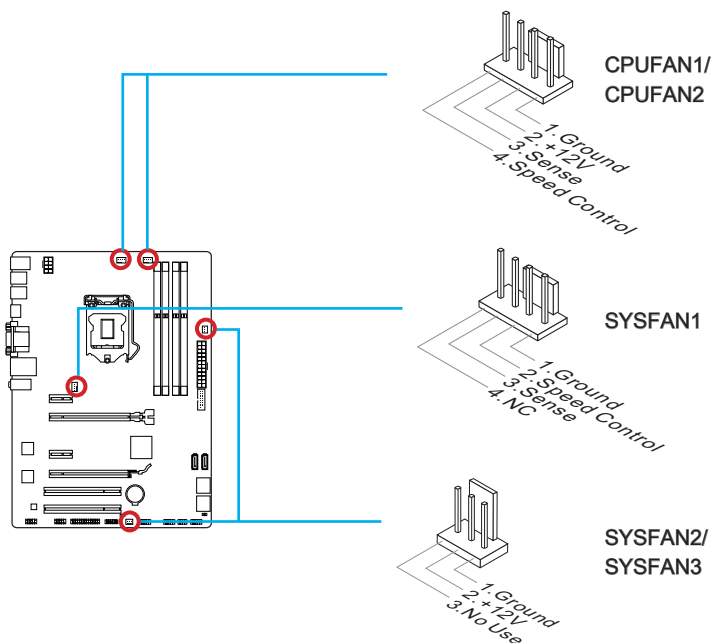
- SATA5, SATA6 (3Gb/s, 由 Intel® B85 支援)



- 多數 SATA 裝置需要獨立電源。例如硬碟、固態硬碟以及光碟機 (CD/ DVD/ Blu-Ray)。請參閱各裝置的使用手冊。
- 多數電腦機殼要求硬碟、固態硬碟及光碟機等 SATA 裝置以螺絲固定。請參閱機殼或 SATA 裝置使用手冊的安裝說明。
- 請勿摺疊 SATA 排線超過 90 度，以免傳輸資料時產生錯誤。
- SATA 排線兩端接頭外觀相似，建議將平頭端接到主機板以節省空間。

CPUFAN1~2, SYSFAN1~3：風扇電源接頭

風扇電源接頭支援 +12V 散熱風扇。若主機板內建有系統硬體監控器晶片組，就必須使用速度感應器設計之風扇，才能使用 CPU 風扇控制功能。請務必將所有風扇電源接頭都接上。部份無法接到主機板的系統風扇，請直接接到電源供應器。系統風扇可接至任一系統風扇接頭。



注意事項

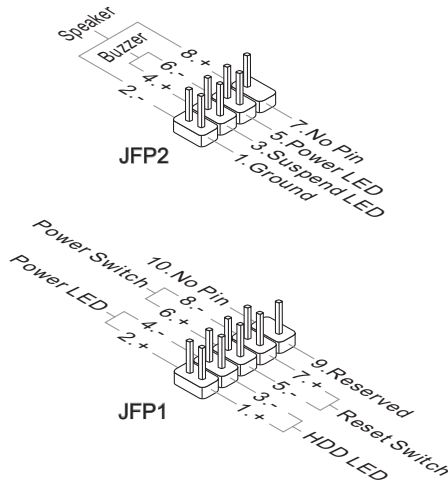
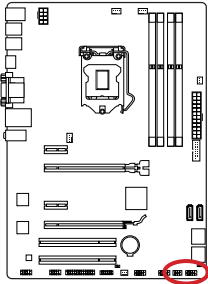
- 請造訪處理器之官方網站參考建議之 CPU 風扇，或洽詢經銷商選擇適合的 CPU 散熱風扇。
- 支援線性轉速的智慧型風扇。請安裝 Command Center 程式，依 CPU 及系統的實際溫度來控制各散熱風扇的速度。
- 如主機板上的風扇電源接頭數量不足，而無法接所有系統風扇時，請以轉接線將風扇連接到電源供應器。
- 第一次開機前，請先確認所有排線已避開風扇，且風扇葉片有足夠空間運轉。

JFP1, JFP2：系統面板接頭

這些接頭用於連接面板開關及 LED 指示燈。JFP1 的規格符合 Intel® 面板輸入/輸出連接設計規範。可使用另行選配的 M-Connector 轉接頭簡化安裝。將機殼面板的排線接上 M-Connector 轉接頭，再將 M-Connector 轉接頭插到主機板上即可。



請進入以下連結，觀賞正確安裝系統面板接頭的方法。
<http://youtu.be/DPELldVNZUI>

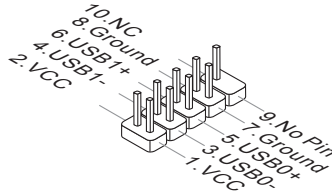
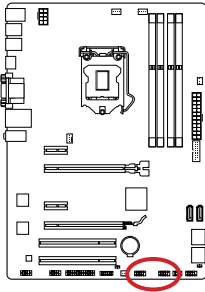


注意事項

- 機殼接頭中，腳位有標示小三角型的為正極排線。請依上圖指示及 M-Connector 轉接頭上的標示辨別接頭的插入方向及配置。
- 多數機殼的面板接頭會以 JFP1 為優先安裝。

JUSB1~2 : USB 2.0 擴充接頭

本接頭用以連接高速 USB 介面，如 USB 硬碟、數位相機、MP3 播放器、印表機、數據機等相關週邊裝置。

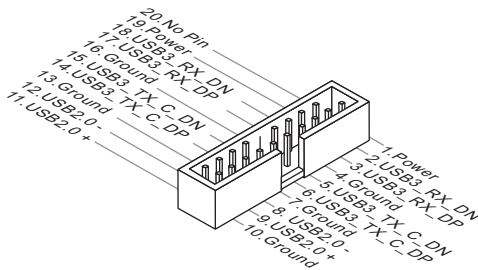
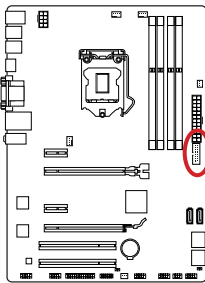


注意事項

請注意 VCC 及 GND 的針腳位置須正確連接以免造成損壞。

JUSB3 : USB 3.0 擴充接頭

USB 3.0 連接埠向下相容 USB 2.0 裝置，最高支援每秒 5 Gbit 的傳輸速率 (SuperSpeed)。

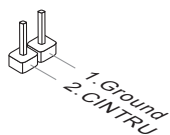
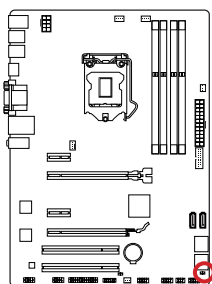


注意事項

- 請務必正確連接 VCC 及 GND 的針腳，以免造成損壞。
- 請以另行選配的 USB 3.0 排線連接 USB 3.0 裝置和 USB 3.0 連接埠。

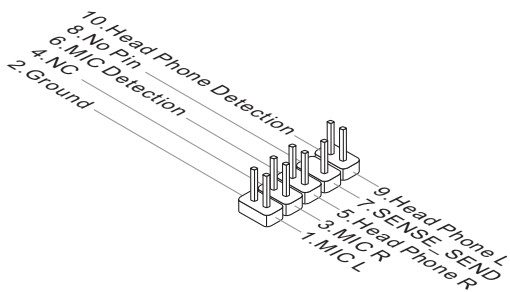
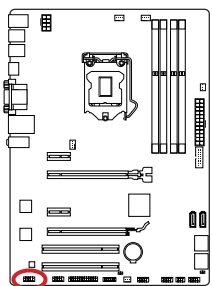
JCI1：機殼開啟接頭

本接頭接到機殼開啟開關排線。在機殼被打開時，會啟動機殼開啟機制，系統會記錄該狀態，並於螢幕上顯示警告訊息。請進入 BIOS 設定程式中清除此紀錄訊息。



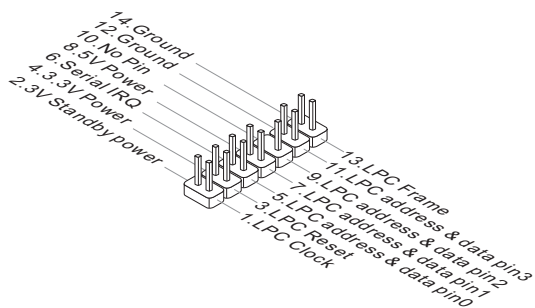
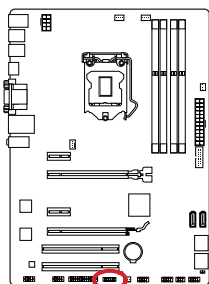
JAUD1：音效接頭

本接頭接到機殼上的音效接頭，規格符合 Intel® 面板輸入/輸出連接設計規範。



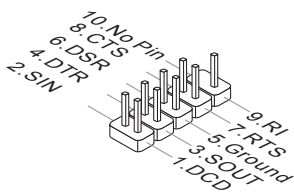
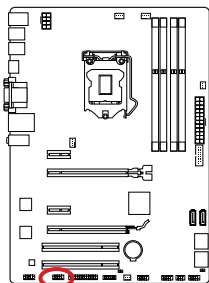
JTPM1 : TPM 模組接頭

本接頭接到選配的可信任安全模組。更多詳情請參閱 TPM 安全平台使用手冊。



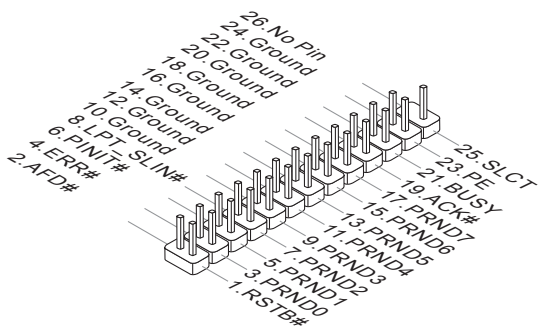
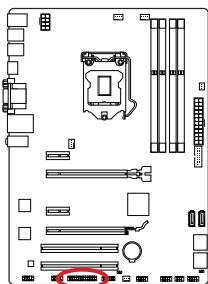
JCOM1 : 序列埠接頭

本接頭是傳送或接收 16 位元組 FIFO 的 16550A 高速通信埠。您可直接接上序列裝置。



JLPT1：平行埠接頭

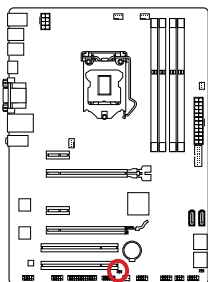
本接頭用來連接另行選配的平行埠擋板。平行埠是標準印表機埠，支援增強型平行埠 (EPP) 及延伸功能埠 (ECP) 模式。



跳線

JBAT1：清除 CMOS 跳線

主機板內建一個 CMOS RAM，是利用主機板上的外接電池來保留系統設定。CMOS RAM 可讓系統在每次開機時，自動啟動作業系統。若要清除系統設定，請將跳線設為清除 CMOS RAM。



保留資料



清除資料



注意事項

在系統關機狀態下，將此跳線短路後即可清除 CMOS RAM。跳線短路之後請移除跳線。注意：不可在系統開機的狀態下清除 CMOS RAM，以免主機板受損。

驅動程式及工具

安裝好作業系統後，您需要安裝驅動程式來讓新組裝的電腦發揮效能。微星主機板隨附驅動程式光碟，讓您使用更上手，盡享微星獨家研發的各類豐富功能。

您還可安裝光碟內的防毒軟體包，內容亦包括多樣實用的工具程式。

Total Installer

Total Installer 主要用於搜尋必需安裝的驅動程式，相當易於使用。請依以下步驟，安裝所需程式工具。

1. 將 MSI 驅動程式光碟放入光碟機。若在作業系統下放置，設定畫面會自動跳出。
2. 點選 Total Installer。會跳出對話視窗顯示所需驅動程式。
3. 在程式列表對話窗，勾選所有方塊。



點選

4. 點選 Install (安裝) 鈕。
5. 接著將進行軟體安裝，完成後將提示您重開機。
6. 按 OK (確定) 按鈕結束。
7. 重開機。

請依相同方式安裝工具。

BIOS 設定

CLICK BIOS 是由 MSI 團隊所研發的圖形使用者介面，支援以滑鼠及鍵盤來設定 BIOS 參數。

透過功能強大的 CLICK BIOS，可調整 BIOS 設定、檢視 CPU 名稱、記憶體容量及 BIOS 版本等系統訊息，或是監控 CPU 溫度、選取開機裝置順序等。您還可將參數輸入及輸出、製作備份或與友人分享設定數值。且在連上網路後，就能瀏覽網頁、收發信並即時更新系統。

進入 BIOS 設定

開機後，系統就會開始 POST (開機自我測試) 程序。當下列訊息出現在螢幕上時，請按 鍵，進入設定程式。

Press DEL key to enter Setup Menu, F11 to enter Boot Menu
(按 DEL 鍵進入設定選單，按 F11 進入開機選單)

若您來不及在此訊息消失之前按壓 DEL 鍵，而仍想要進入 BIOS 設定選單，請先將系統關閉，再重新啟動，或直接按 RESET 鍵啟動。也可以同時按下 <Ctrl>、<Alt> 及 <Delete> 鍵來重新開機。

微星另提供二種方法進入 BIOS 設定。其一是在“MSI Fast Boot”程式按下“GO2BIOS” (如下圖)，或是按主機板上實體的“GO2BIOS”按鈕 (選配搭載)，下次開機可直接進 BIOS 設定。



在“MSI Fast Boot”程式
按下“GO2BIOS”

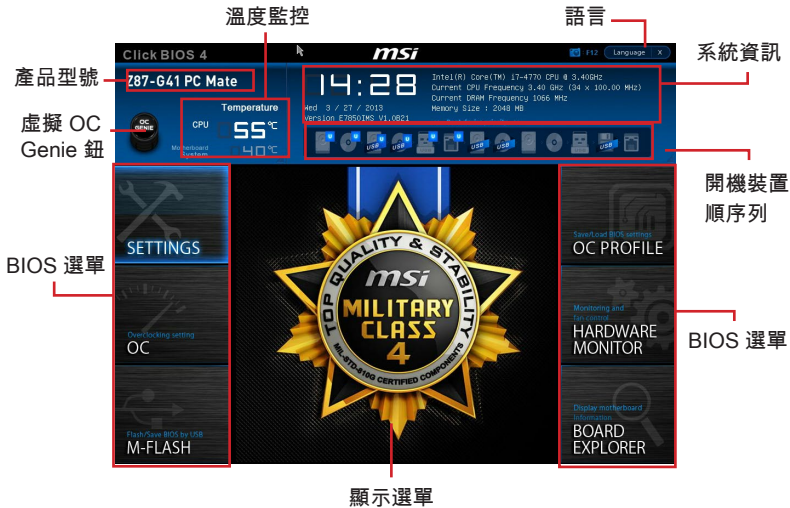


注意事項

- 請先安裝“MSI Fast Boot”程式，再以該程式進入 BIOS 設定。
- 本章節各個 BIOS 目錄下的欄位仍在持續更新中，說明內文可能會與最新 BIOS 內容有所出入；本節所述選項內容僅供參考。

概觀

進入BIOS 設定後，主畫面如下圖所示：



▶ 溫度監控

本區塊顯示處理器及主機板溫度。

▶ 語言

本選項可選擇 BIOS 設定呈現的語言。

▶ 系統資訊

本區塊顯示時間、日期、CPU 名稱、CPU 頻率、記憶體頻率、記憶體容量及 BIOS 版本。

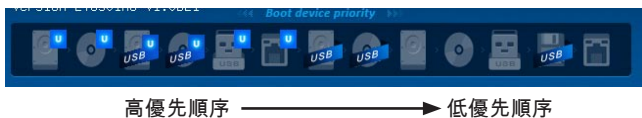
▶ BIOS 選單

以下區塊用以選擇 BIOS 選單：

- **SETTINGS** - 本選單指定晶片組功能及開機裝置設定。
- **OC** - 本選單涵蓋頻率及電壓調整欄位。增加頻率可提升效能，但隨之而來的高頻率及高溫有可能會造成系統不穩，因此我們不建議一般使用者超頻。
- **M-FLASH** - 本項提供以 USB 隨身碟來更新 BIOS。
- **OC PROFILE** - 本選單用以設定各種超頻設定值。
- **HARDWARE MONITOR** - 本選單用以設定系統風扇速度以及監控系統電壓。
- **BOARD EXPLORER** - 本項提供已安裝在主機板上各類裝置的相關訊息。

▶ 開機裝置順序列

按住圖示後左右拖曳設定裝置開機順序。



▶ 顯示選單

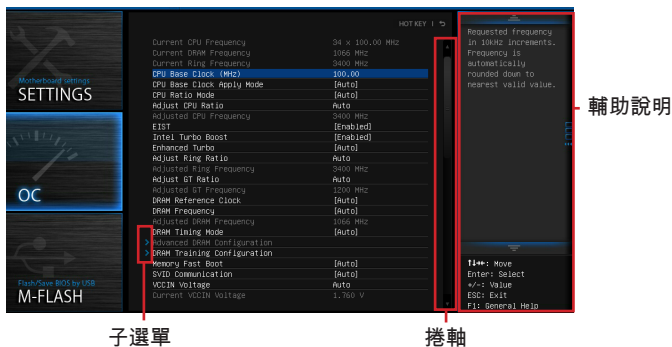
本區塊提供變更參數的 BIOS 設定。

▶ 虛擬 OC Genie 鈕

按本鈕開啟或關閉 OC Genie 功能。該功能開啟時，本鈕會發亮，並以微星最佳超頻設定來自動超頻。

▶ 產品型號

本項顯示主機板產品型號。



▶ 子選單

有箭頭符號在文字欄位左方出現，表示其下有子選單可供選擇。請使用方向鍵或滑鼠將選取的欄位反白後，再按 <Enter> 或按二下滑鼠左鍵進入子選單。

▶ 捲軸


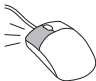

滑動捲軸或使用箭頭鍵，以顯示在「顯示選單」區塊中的其它選項。

▶ 輔助說明

輔助說明視窗列出該選項的簡略敘述。

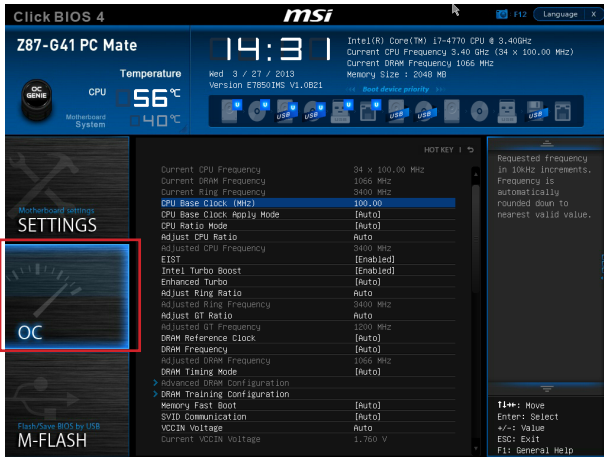
操作選項

您可以滑鼠和鍵盤來設定 BIOS 選項。下表列出以快捷鍵及滑鼠的操作方式。

快捷鍵	滑鼠	說明
<↑↓←→>	 移動游標	選擇項目
<Enter>	 按一下或二下滑鼠左鍵	選擇圖示或欄位
<Esc>	 按一下滑鼠右鍵	跳至 Exit 選單，或由子選單回到上層選單
<+>	X	增加數值或變更數值
<->		減少數值或變更數值
<F1>		輔助說明
<F4>		CPU 規格
<F5>		進入 Memory-Z 設定
<F6>		載入最佳預設值
<F8>		由 USB 隨身碟載入已儲存的超頻設定
<F9>		將超頻設定存到 USB 隨身碟
<F10>		儲存變更後重設
<F12>		將螢幕抓圖儲存到 FAT/FAT32 USB 隨身碟

超頻選單

本選單提供給想超頻主機板的進階使用者。



注意事項

- 手動超頻功能僅建議由進階使用者進行操作。
- 恕無法保證超頻動作的成功與否，且如超頻失敗可能會使保固失效或嚴重損壞硬體。
- 若您不熟悉超頻，建議使用 OC Genie 功能來輕鬆超頻。

► Current CPU/ DRAM/ Ring Frequency

這些選項顯示目前 CPU、記憶體、Ring 的頻率。唯讀。

► CPU Base Clock (MHz) [Default]

本項設定 CPU 基頻，您可調整本數值超頻 CPU。請注意我們無法保證超頻動作及其穩定性。本項需 CPU 支援本功能才會顯示。

► Current CPU Base Clock Strap (Z87-G41 PC Mate)

本項顯示目前 CPU 基頻 Strap。唯讀。本項需 CPU 支援本功能才能變更。

► Adjust CPU Base Clock Strap [Auto]

本項設定 CPU 基頻 strap，您可調整本數值超頻 CPU。請注意我們無法保證超頻動作及其穩定性。本項需 CPU 支援本功能才能變更。設為自動 (Auto)，BIOS 會自動設定。[選項：Auto, 1.00, 1.25, 1.67]

► CPU Base Clock Apply Mode [Auto]

本項設定調整 CPU 基頻後的套用模式。

[Auto] 本項由 BIOS 自動設定

[Next Boot] CPU 在下次開機會以調整後的基頻執行

[Immediate] CPU 即時以調整後的基頻執行

▶ CPU Ratio Mode [Auto]

本項選擇 CPU 倍頻操作模式。

[Auto] 本項由 BIOS 自動設定

[Fixed Mode] 鎖定 CPU 倍頻

[Dynamic Mode] CPU 倍頻依 CPU 負載動態調整

▶ Adjust CPU Ratio [Auto]

本項調整 CPU 倍頻，以決定 CPU 時脈速度。本項需 CPU 支援本功能才能變更。

▶ Adjusted CPU Frequency

本項顯示調整後 CPU 頻率。唯讀。

▶ EIST [Enabled]

本項開啟或關閉 Enhanced Intel® SpeedStep 技術。

[Enabled] EIST功能會動態調整CPU的電壓及核心頻率，可以減少平均電耗及降低溫度

[Disabled] 關閉 EIST

▶ Intel Turbo Boost [Enabled]

本項開啟或關閉 Intel® Turbo Boost 功能。本項需 CPU 支援本功能才會顯示。

[Enabled] 開啟本功能，系統自動將 CPU 效能發揮到極限

[Disabled] 關閉本功能

▶ Enhanced Turbo [Auto]

本項開啟或關閉所有 CPU 核心的進階 Turbo 功能，推升 CPU 效能。

[Auto] 本項由 BIOS 自動設定

[Enabled] 所有 CPU 核心倍頻都推升到最大值

[Disabled] 關閉本功能

▶ OC Genie Switch [Gear1]

本項選擇 OC Genie 功能的超頻設定。本項在前項 "OC Genie Function Control" 設為 [By BIOS Options] 才會出現。

[Gear1] 開啟 Gear1 (1 檔) 超頻設定，進行一般超頻

[Gear2] 開啟 Gear2 (2 檔) 超頻設定，進行極限超頻



注意事項

- 建議開啟 OC Genie功能後勿更動超頻選單，且勿下載預設設定。
- OC Genie 模式下，嚴禁更新 BIOS 或清除 CMOS 資料，以免造成超頻失敗或其它不良影響。

▶ Adjust Ring Ratio [Auto]

本項設定 Ring 倍頻。有效範圍依 CPU 效能而定。

▶ Adjusted Ring Frequency

本項顯示調整後 Ring 的頻率。唯讀。

▶ Adjust GT Ratio [Auto]

本項設定顯示內建圖形處理器的倍頻。有效範圍依 CPU 效能而定。

▶ Adjusted GT Frequency

本項顯示調整後內建圖形處理器的頻率。唯讀。

▶ **DRAM Reference Clock [Auto]**

本項設定記憶體參考時脈。有效範圍依 CPU 效能而定。本項需 CPU 支援本功能才會顯示。

▶ **DRAM Frequency [Auto]**

本項調整 DRAM 頻率。請注意我們無法保證超頻動作。

▶ **Adjusted DRAM Frequency**

本項顯示調整後記憶體的頻率。唯讀。

▶ **Extreme Memory Profile (X.M.P) [Disabled]**

X.M.P. (Extreme Memory Profile) 技術是記憶體模組的超頻技術。本項需記憶體模組支援本功能才會顯示。

[Disabled] 關閉本功能

[Profile 1] 使用已安裝好並支援 XMP 記憶體模組的 profile1 超頻設定

[Profile 2] 使用已安裝好並支援 XMP 記憶體模組的 profile2 超頻設定

▶ **DRAM Timing Mode [Auto]**

本項設定記憶體時序模式。

[Auto] 由記憶體模組上的 SPD (Serial Presence Detect) 自動配置時序

[Link] 由使用者手動配置所有記憶體通道的時序

[UnLink] 由使用者手動配置指定記憶體通道的時序

▶ **Advanced DRAM Configuration**

按下 <Enter> 鍵以進入子選單。本項在前項 "DRAM Timing Mode" 設為 [Link] 或 [Unlink]，才會出現子選單，使用者可設定個別記憶體通道的時序。變更記憶體時序設定後，系統可能會有不穩定或無法開機的情形。若發生這種情形，請以清除 CMOS 資料回復預設值來排除問題。(請參閱清除 CMOS 跳線/ 按鈕，進入 BIOS 載入原廠設定。)

▶ **DRAM Training Configuration**

按下 <Enter> 鍵以進入子選單。本項開啟或關閉 DRAM 各種調校作業。變更子選單項目設定後，系統可能會有不穩定或無法開機的情形。若發生這種情形，請以清除 CMOS 資料回復預設值來排除問題。(請參閱清除 CMOS 跳線/ 按鈕，進入 BIOS 載入原廠設定。)

▶ **Memory Fast Boot [Auto]**

本項開啟或關閉每次開機記憶體的初始及調校功能。

[Auto] 本項由 BIOS 自動設定

[Enabled] 記憶體會完全模仿首次開機檢測及調校作業。之後記憶體就不再每次開機時都進行完整檢測調校，以加速開機時間。

[Disabled] 記憶體每次開機都會進行完整檢測及調校。

▶ **SVID Communication [Auto]**

本項開啟或關閉 SVID (Serial Voltage Identification) 功能。

[Auto] 本項由 BIOS 自動設定

[Enabled] PWM 相位會依 CPU SVID 動態調整

[Disabled] 關閉本功能

▶ **VCCIN Voltage [Auto]**

本項設定 CPU 輸入電壓，主要供電給 CPU 並與 CPU 元件共用電源。

▶ **Current VCCIN Voltage**

本項顯示目前 CPU VCCIN 電壓。唯讀。

▶ CPU Core Voltage Mode/ CPU Ring Voltage Mode/ CPU GT Voltage Mode [Auto]

本項設定上述電壓的控制模式。

- [Auto] 本項由 BIOS 自動設定
- [Adaptive Mode] 為系統最佳效能設定適合的電壓
- [Override Mode] 可手動設定電壓

▶ CPU Core Voltage/ CPU Ring Voltage/ CPU GT Voltage [Auto]

本項設定上述電壓。設為自動 (Auto) , BIOS 會自動設定 , 或者您也可改成手動設定。

▶ CPU Core Voltage Offset Mode/ CPU Ring Voltage Offset Mode/ CPU GT Voltage Offset Mode/ CPU SA Voltage Offset Mode/ CPU IO Analog Voltage Offset Mode/ CPU IO Digital Voltage Offset Mode [Auto]

本項選擇電壓補償模式。

- [Auto] 本項由 BIOS 自動設定
- [+] 設定正補償電壓
- [-] 設定負補償電壓

▶ CPU Core Voltage Offset/ CPU Ring Voltage Offset/ CPU GT Voltage Offset/ CPU SA Voltage Offset/ CPU IO Analog Voltage Offset/ CPU IO Digital Voltage Offset [Auto]

設定上述電壓補償數值。

▶ Current CPU Core Voltage/ Current CPU Ring Voltage/ Current CPU GT Voltage/ Current CPU SA Voltage/ Current CPU IO Digital Voltage

顯示目前電壓。唯讀。

▶ Internal VR OVP OCP Protection [Auto]

本項開啟或關閉 CPU 內部電壓調節器的過電壓和過電流保護機制。

- [Auto] 本項由 BIOS 自動設定
- [Enabled] 設定 CPU 內部電壓調節器的過電壓和過電流保護之電壓限值
- [Disabled] 關閉本功能進行超頻

▶ Internal VR Efficiency Management [Auto]

本項開啟或關閉 CPU 內部電壓調節器效能管理。

- [Auto] 本項由 BIOS 自動設定
- [Enabled] 設定電壓調節器的效能管理功能以達節電之效
- [Disabled] 關閉本功能

▶ DRAM Voltage [Auto]

本項設定記憶體電壓。設為自動 (Auto) , BIOS 會自動設定電壓 , 或者您也可改成手動設定。

▶ Current DRAM Voltage

本項顯示目前記憶體電壓。唯讀。

▶ CPU Memory Changed Detect [Enabled]

本項開啟或關閉 CPU 或記憶體變更後 , 系統開機發出警告訊息的功能。

- [Enabled] 系統開機發出警告訊息的功能 , 需要下載新裝置的預設值
- [Disabled] 關閉本功能並保留目前 BIOS 設定

▶ Spread Spectrum

本功能減少由調節時脈產生器的脈衝所引起的電磁波干擾。

- [Enabled] 開啟展頻功能以減少電磁波
- [Disabled] 強化 CPU 基頻的超頻能力



注意事項

- 若無電磁波干擾 (EMI) 的問題，請將本項設為關閉 [Disabled]，以達較佳的系統穩定度及效能。但若符合 EMI 規範，請選擇展頻數值以減少電磁波。
- 展頻的數值越大，可減少較多電磁波，相對系統就越不穩定。欲知展頻適當數值，請查詢當地規範。
- 如需進行超頻，請務必將本功能關閉，因為即使是些微的劇波，皆足以引起時脈速度突然增快，進而使超頻中的處理器被鎖定。

▶ CPU Specifications

按下 <Enter> 鍵以進入子選單。子選單顯示已安裝 CPU 的訊息。請按 [F4] 隨時進入查看本訊息。唯讀。

▶ CPU Technology Support

按下 <Enter> 鍵以進入子選單。子選單顯示已安裝 CPU 所支援的技術。唯讀。

▶ MEMORY-Z

按下 <Enter> 鍵以進入子選單。子選單顯示已安裝記憶體所有設定及時序。請按 [F5] 隨時進入查看本訊息。

▶ DIMM1~4 Memory SPD

按下 <Enter> 鍵以進入子選單。本選單顯示已安裝記憶體訊息。唯讀。

▶ CPU Features

按下 <Enter> 鍵以進入子選單。

▶ Hyper-Threading Technology [Enabled]

導入 Hyper-Threading 技術的處理器，可增進傳輸速率及減少使用者的反應時間。此技術是將處理器內的雙核心視為兩顆可同時執行指令的邏輯處理器。這樣一來，系統效能即可大幅提升。

[Enable] 啟用 Intel Hyper-Threading 技術

[Disabled] 如作業系統不支援 Intel Hyper-Threading 技術，請停用此項目

▶ Active Processor Cores [All]

本項選擇要開啟的處理器核心數量。

▶ Limit CPUID Maximum [Disabled]

本項開啟或關閉延伸 CPUID 數值。

[Enabled] BIOS 限制 CPUID 最大值，以避免不支援的本功能較舊作業系統，可能產生的開機問題。

[Disabled] 使用實際輸入的 CPUID 最大值

▶ Execute Disable Bit [Enabled]

本功能避免一定等級的記憶體緩衝區溢位，也就是病毒嘗試進入系統執行碼破壞處。建議將本項設為開啟。

[Enabled] 開啟 NO-Execution 保護以避免病毒破壞

[Disabled] 關閉本功能

▶ Intel Virtualization Tech [Enabled]

本項開啟或關閉 Intel 虛擬化技術。

[Enabled] 開啟虛擬化技術，系統可作為多個數個作業系統，各自執行運算。

[Disabled] 關閉本功能

▶ Hardware Prefetcher [Enabled]

本項開啟或關閉硬體預取器功能 (MLC Streamer prefetcher)。

[Enabled] 允許硬體預取器自動由系統記憶體抓取資料與指令到 L2 快取，以調整 CPU 效能

[Disabled] 關閉本功能

▶ Adjacent Cache Line Prefetch [Enabled]

本項開啟或關閉 CPU 硬體預取器功能 (MLC Spatial prefetcher)。

[Enabled] 允許其他快取列中抓取資料，以減少讀取快取的延遲時間，調整特定程式效能

[Disabled] 僅會抓取要求處理的快取列

▶ CPU AES Instructions [Enabled]

本項開啟或關閉 CPU AES (進階加密標準) 功能。本項需 CPU 支援本功能才會顯示。

[Enabled] 開啟 Intel AES 功能

[Disabled] 關閉 Intel AES 功能

▶ Intel Adaptive Thermal Monitor [Enabled]

本項開啟或關閉 Intel 適應熱度監控功能以避免 CPU 過熱。

[Enabled] CPU 過熱會調整 CPU 核心時脈速度

[Disabled] 關閉本功能

▶ Intel C-State [Auto]

C-state 是種由 ACPI 定義的處理器電源管理技術。

[Auto] 本項由 BIOS 自動設定

[Enabled] 偵測處理器閒置，會因應減低耗電

[Disabled] 關閉本功能。

▶ C1E Support [Disabled]

本項開啟或關閉 C1E 功能，以減低 CPU 閒置時耗損的電量。本項在前項 "Intel C-State" 設為 [Enabled] 才會出現。

[Enabled] 開啟 C1E 功能，降低 CPU 閒置時的頻率及電壓，以達節能之效。

[Disabled] 關閉本功能

▶ Package C State limit [Auto]

本項選擇 CPU C-state 模式，閒置時節電，以達節能之效。本項在前項 "Intel C-State" 設為 [Enabled] 才會出現。

[Auto] 本項由 BIOS 自動設定

[C0~C7s] 省電等級選項由高至低為 C7s, C7, C6, C3, C2, C0

[No limit] CPU 無 C-state 節電限制

▶ LakeTiny Feature [Disabled]

為固態硬碟 (SSD) 開啟或關閉 iRST 的 Intel Lake Tiny 技術。當安裝的 CPU 支援本功能並且 "Intel C-State" 開啟時此項出現。

[Enabled] 加強動態 IO 負載調整後效能以加速 SSD

[Disabled] 關閉本功能

注意：以下欄位在前項 "Intel Turbo Boost" 設為 [Enabled] 才會出現。

▶ Long Duration Power Limit (W) [Auto]

本項設定 CPU 在 Turbo Boost 模式，長時間的 TDP 電源限值。

▶ **Long Duration Maintained (s) [Auto]**

本項設定在前項 "Long Duration Power Limit (W)" 的持續時間。

▶ **Short Duration Power Limit (W) [Auto]**

本項設定 CPU 在 Turbo Boost 模式，短時間的 TDP 電源限值。

▶ **CPU Current Limit (A) [Auto]**

本項設定 CPU 在 Turbo Boost 模式的電流上限。電流超過特定限值，CPU 會自動調整電流以降低核心頻率。

▶ **1/2/3/4-Core Ratio Limit [Auto]**

本項需 CPU 支援本功能才會顯示。這些選項在 Turbo Boost 模式設定 CPU 不同核心數的倍頻比率。

简体中文

感谢您购买了 Z87-G41 PC Mate/ ZH87-G41 PC Mate/ B85-G41 PC Mate 系列 (MS-7850 v1.X) ATX 主板。Z87-G41 PC Mate/ ZH87-G41 PC Mate/ B85-G41 PC Mate 系列主板是基于 Intel® Z87/ H87/ B85 芯片组为优化系统性能而设计的。此款设计适合 Intel® LGA1150 处理器。Z87-G41 PC Mate/ ZH87-G41 PC Mate/ B85-G41 PC Mate 系列主板提供了高性能，专业化的桌面平台解决方案。

主板规格

CPU 支持	■ 支持 LGA 1150 封装第四代 Intel® Core™ i7 / Core™ i5 / Core™ i3 / Pentium® / Celeron® 处理器
芯片组	■ Intel® Z87/ H87/ B85 Express 芯片
内存支持	■ 4 条 DDR3 内存插槽支持高达 32GB ■ Z87-G41 PC Mate 支持 DDR3 3000(OC)/ 2800(OC)/ 2666(OC)/ 2600(OC)/ 2400(OC)/ 2200(OC)/ 2133(OC)/ 2000(OC)/ 1866(OC)/ 1600/ 1333/ 1066 MHz ■ ZH87-G41 PC Mate and B85-G41 PC Mate supports DDR3 1600/ 1333/ 1066 MHz ■ 双通道内存构架 ■ 支持非-ECC, 非-缓存内存 ■ 支持 Intel® Extreme Memory Profile (XMP)
扩展插槽	■ 2 个 PCIe x16 插槽 - PCI_E2 支持 PCIe 3.0 - PCI_E4 支持 PCIe 2.0 - 支持 x16, x4/x4 modes ■ 2 个 PCIe 2.0 x1 插槽 ■ 2 个 PCI 插槽
板载显卡	■ 1 个 VGA 端口, 支持最大分辨率为 1920x1200 @ 60Hz, 24bpp ■ 1 个 DVI-D 端口, 支持最大分辨率为 1920x1200 @ 60Hz, 24bpp ■ 1 个 HDMI 端口, 支持最大分辨率为 4096x2160@24Hz, 24bpp/ 2560x1600@60Hz, 24bpp/ 1920x1080@60Hz, 36bpp
Multi-GPU 支持	■ 支持 AMD CrossFire™ 技术
存储	■ Z87-G41 PC Mate/ ZH87-G41 PC Mate - Intel Z87/ H87 Express 芯片 - 6 个 SATA 6Gb/s 端口 (SATA1~6) - 支持 RAID 0, RAID1, RAID 5 和 RAID 10 - 支持 Intel Smart Response 技术, Intel Rapid Start 技术和 Intel Smart Connect 技术* ■ B85-G41 PC Mate - Intel B85 Express 芯片 - 4 个 SATA 6Gb/s 端口 (SATA1, SATA2, SATA3, SATA4) - 2 个 SATA 3Gb/s 端口 (SATA5, SATA6) - 支持 Intel Smart Connect 技术* * 在 Windows 7 和 Windows 8 操作系统中支持 Intel 核心处理器。
USB	■ Intel Z87/ H87/ B85 Express 芯片 - 4 个 USB 3.0 端口 (后置面板上 2 个端口, 可通过内部 USB 接口使用 2 个端口) - 8 个 USB 2.0 端口 (后置面板上 4 个端口, 可通过内部 USB 接口使用 4 个端口)
音频	■ Realtek® ALC887 Codec
LAN	■ Realtek® RTL8111G 千兆网络控制器

后置面板接口	<ul style="list-style-type: none"> ■ 1 个 PS/2 鼠标端口 ■ 1 个 PS/2 键盘端口 ■ 4 个 USB 2.0 端口 ■ 2 个 USB 3.0 端口 ■ 1 个 HDMI 端口 ■ 1 个 VGA 端口 ■ 1 个 DVI-D 端口 ■ 1 个 LAN (RJ45) 端口 ■ 3 个 音频插孔
内部接口	<ul style="list-style-type: none"> ■ 1 个 24-pin ATX 主电源接口 ■ 1 个 8-pin ATX 12V 电源接口 ■ 6 个 SATA 6Gb/s 接口 ■ 2 个 USB 2.0 接口 (支持附加 4 个 USB 2.0 端口) ■ 1 个 USB 3.0 接口 (支持附加 2 个 USB 3.0 端口) ■ 2 个 4-pin CPU 风扇接口 ■ 1 个 4-pin 系统风扇接口 ■ 2 个 3-pin 系统风扇接口 ■ 1 个 清除 CMOS 跳线 ■ 1 个 前置面板音频接口 ■ 2 个 系统面板接口 ■ 1 个 机箱入侵检测接口 ■ 1 个 TPM 模组接口 ■ 1 个 串行端头接口 ■ 1 个 并行端头接口
I/O 接口	<ul style="list-style-type: none"> ■ NUVOTON NCT6779 控制器芯片
硬件监测	<ul style="list-style-type: none"> ■ CPU/系统温度监测 ■ CPU/系统风扇速度监测 ■ CPU/系统风扇速度控制
BIOS 功能	<ul style="list-style-type: none"> ■ 64 Mb flash (为 Z87-G41 PC Mate) ■ 128 Mb flash (为 ZH87-G41 PC Mate/ B85-G41 PC Mate) ■ UEFI AMI BIOS ■ ACPI 5.0, PnP 1.0a, SM BIOS 2.7, DMI 2.0 ■ 多国语言
特殊功能	<ul style="list-style-type: none"> ■ Military Class 4 ■ OC Genie 4 ■ Click BIOS 4 ■ AMD CrossFire ■ Sound Blaster Cinema (for Z87-G41 PC Mate) ■ Clear CMOS Button ■ Total Fan Control ■ Super RAID ■ Command Center

软件	<ul style="list-style-type: none"> ■ 驱动 ■ MSI <ul style="list-style-type: none"> - Command Center - Super Charger - Super RAID - Live Update 5 - Fast Boot ■ 7-ZIP ■ Intel Extreme Tuning Utility ■ Norton Internet Security Solution ■ Trend Micro SafeSync ■ Sound Blaster Cinema (for Z87-G41 PC Mate) ■ Network genie ■ Small Business Advantage (for ZH87-G41 PC Mate/ B85-G41 PC Mate)
出厂规格	<ul style="list-style-type: none"> ■ ATX Form Factor ■ 12 in. x 8.7 in. (30.5 公分 x 22 公分)

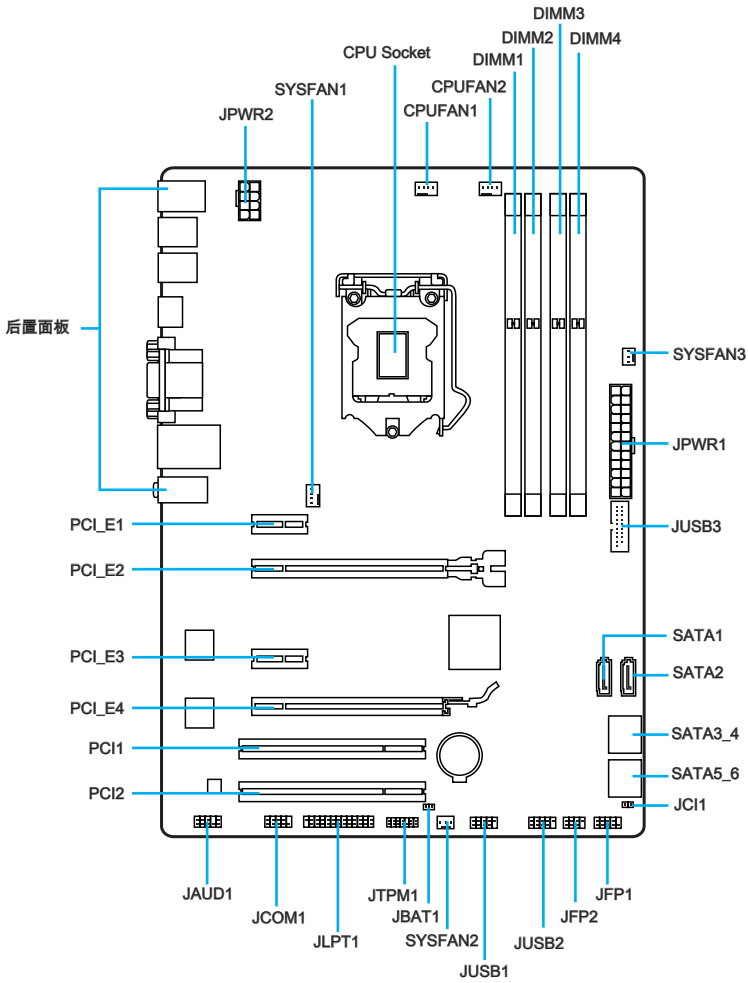


要了解 CPU 的最新信息，请登录
<http://www.msi.com/service/cpu-support/>



要了解更多模组兼容性问题信息，请登录
<http://www.msi.com/service/test-report/>

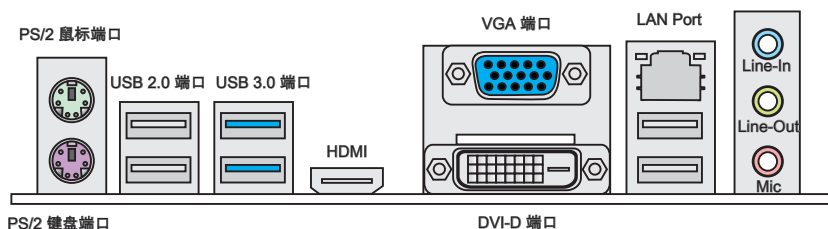
组件快速指南



组件快速指南

端口名称	端口类型	页码
后置面板	CPU & 风扇安装	Sc-7
CPU	LGA1150 CPU 接口	Sc-9
CPUFAN1~2,SYSFAN1~3	风扇电源接口	Sc-19
DIMM1~4	DDR3 内存插槽	Sc-13
JAUD1	前置面板音频接口	Sc-22
JBAT1	清除 CMOS 跳线	Sc-25
JCI1	机箱入侵接口	Sc-22
JCOM1	串行端头接口	Sc-23
JFP1, JFP2	系统面板接口	Sc-20
JLPT1	并行端头接口	Sc-24
JPWR1~2	ATX 电源接口	Sc-15
JTPM1	TPM 模组接口	Sc-23
JUSB1~2	USB 2.0 扩展接口	Sc-21
JUSB3	USB 3.0 扩展接口	Sc-21
PCI_E2,4	PCIe x16 扩展插槽	Sc-16
PCI_E1,3	PCIe x1 扩展插槽	Sc-16
SATA1~6	SATA 接口	Sc-18

后置面板



▶ PS/2 键盘/鼠标端口

PS/2[®] 鼠标/键盘迷你 DIN 接口。可连接 PS/2[®] 鼠标/键盘。

▶ USB 2.0 端口

此 USB 2.0 端口用来连接 USB 2.0 设备。如键盘，鼠标或者其它USB 2.0兼容设备。

▶ USB 3.0 端口

USB 3.0端口向下兼容USB 2.0设备。它支持高达5 Gbit/s(超高速)的数据传输速率。



为了使用 USB 3.0 设备您必须连接到 USB 3.0 端口上。如果使用 USB 连接线必须要与 USB 3.0 兼容。

▶ HDMI 端口 **HDMI**[™] HIGH-DEFINITION MULTIMEDIA INTERFACE

高清晰度的多媒体接口(HDMI)是一个全数字化的audio/video接口,能传送未压缩的数据流。HDMI支持所有电视格式,包括标准,提高,或高清晰度的视频,加上多声道数字式音频在一根唯一的数据线上。

▶ VGA 端口

此 DB15-pin 母接口用于连接显示器。

▶ DVI-D 端口

DVI-D (Digital Visual Interface- Digital) 接口允许您连接LCD显示器, 或则一个带适配器的CRT显示器。更多信息请参考您的显示器手册。



此平台支持双显示和三显示功能。

	HDMI+VGA	HDMI+DVI	VGA+DVI	HDMI+VGA+DVI
扩展模式 (桌面扩展到其他显示器)	○	○	○	○
克隆模式 (显示器有相同的屏幕)	○	○	○	○

► LAN 端口

标准的 RJ-45 插座，可连接局域网(LAN)。

	LED	LED 状态	描述
	Link/ Activity LED (连线/工作灯号)	关	网络未连接
黄色		网络已连接	
闪烁		网络数据在使用中	
Speed LED (速度灯号)	关	传输速率 10 Mbps	
	绿色	传输速率 100 Mbps	
	橙色	传输速率 1 Gbps	

► 音频端口

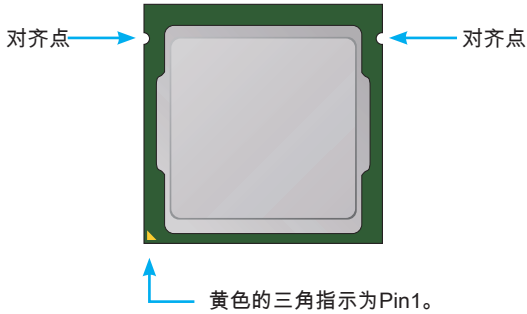
这些音频接口用于连接音频设备。您可以根据音频插孔的不同颜色来区分不同音效。

- 蓝色-Line in: 音效输入,用于连接外部音频输出设备。
- 绿色- Line out: 音效输出, 用于连接音箱或耳机。
- 粉色- Mic: 麦克风, 用于连接麦克风。

CPU (中央处理器)

LGA 1150 CPU 简介

为了正确的将CPU放置在主板中，LGA 1150 CPU 的表面有两个对齐点和一个黄色三角指示。黄色三角指示为Pin 1。



过热

温度过高会严重损害CPU和系统，请务必确认所使用的降温风扇始终能够正常工作，保护CPU以免过热烧毁。确认，您已在CPU和散热片之间涂抹了一层平滑的散热硅胶(或热胶布)以增强散热。

更换 CPU

更换CPU时，请先关闭ATX电源供应或从地面拔掉电源插头以确保CPU的安全。

超频

主板设计支持超频。然而，请确认您的配置能够接受这样非常规的设定。在超频时，不推荐任何超技术规范之外的动作。我们不担保损坏或因为在产品规格之外不规范的操作导致的风险。

CPU & 风扇安装

当您安装CPU时，请确认已安装好CPU风扇。对防止过热和维持系统的稳定性CPU风扇是非常必要的。请根据以下步骤正确安装CPU和风扇，错误的安装可能会引起您CPU和主板的损坏。

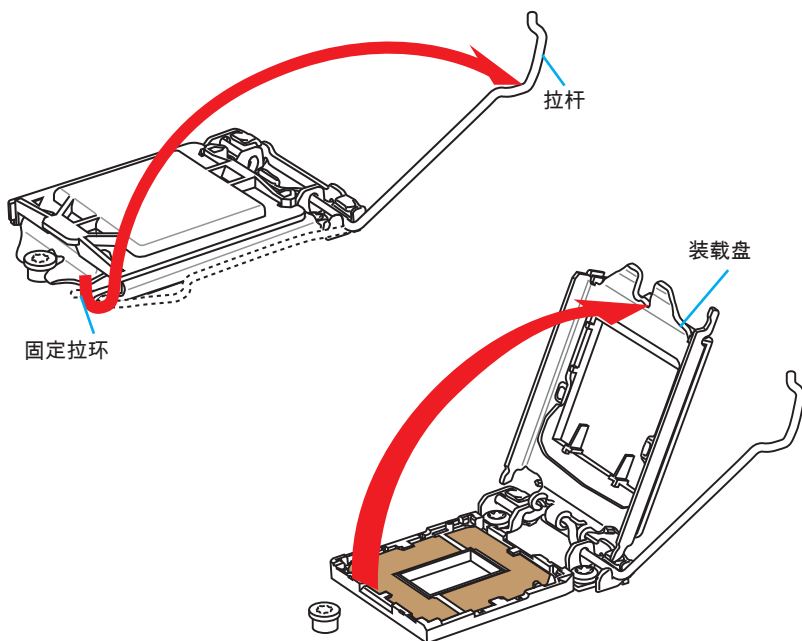


观看视频了解如何安装 CPU 和散热片，视频地址如下：

http://v.youku.com/v_show/id_XNDkyOTY1NjQ0.html

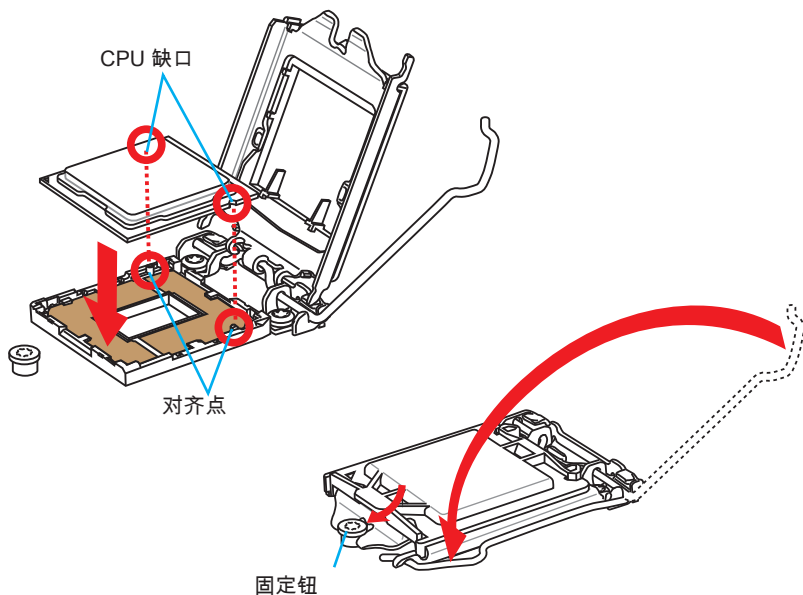


1. 开启钉钩，拉起拉杆到完全打开的位置。
2. 当装载杠杆完全被推开到最大位置时，装载盘盖会自动提起。

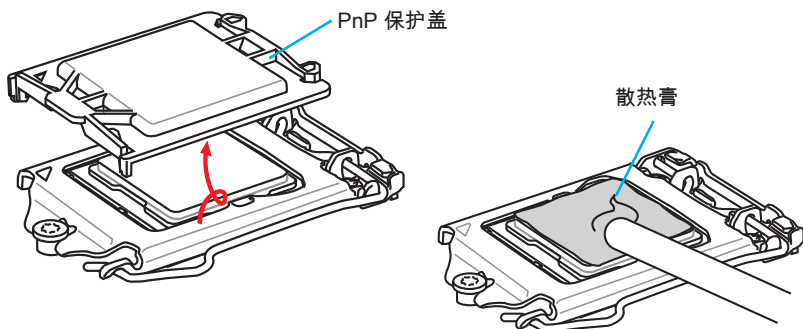


不要触到 CPU 的插座引脚或底部。

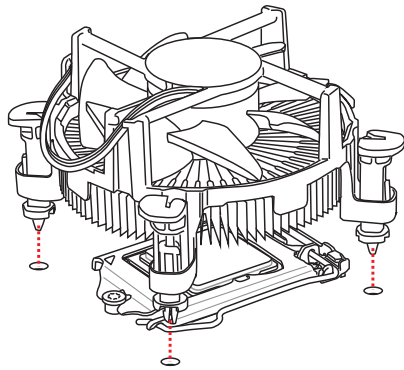
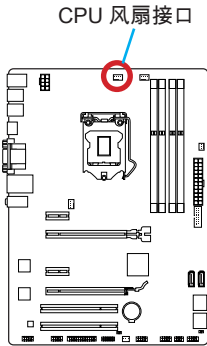
3. CPU缺口与插槽边缘的对齐点在同一平面线上对齐。往下将CPU垂直放平，确保CPU在插槽内不要倾斜和滑动。检查CPU是否正确的放在插槽内。
4. 关闭并滑动装载盖下面的固定钮。将拉杆扣紧关闭。



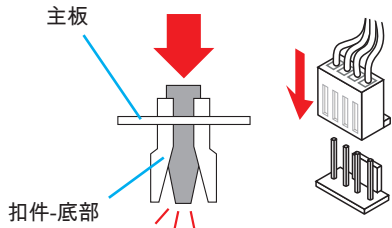
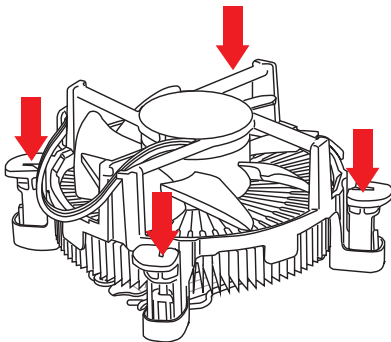
5. 当您按下拉杆时，PnP 保护盖将自动弹起，不要丢弃PnP 保护盖。如果CPU从插槽移除时一定要使用PnP 保护盖来替代。
6. 均匀的涂撒一层薄薄的散热膏(或散热胶)在 CPU 的表面。这将有助于散热。以防止CPU 过热。



- 找到主板上的CPU风扇接口。
- 将散热器放置在主板上，风扇的电线朝向风扇接口处，同时扣件应该对齐主板上的孔口。



- 将风扇向下压稳，直到四个扣件卡进主板的四个孔里。当下压每个扣件固定在正确位置后，将听到一个咔嗒的声音。
- 检查主板，确认扣件底部已经完全被锁住。
- 最后，将CPU风扇电源线插入主板上的CPU风扇电源接口。

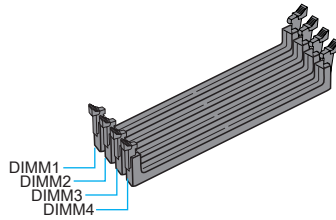
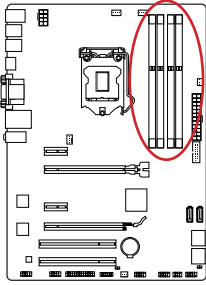


⚠ 注意

- 确认在系统启动前CPU风扇已经牢固的粘贴在CPU上。
- 只要CPU尚未安装，请把塑料保护盖覆盖在CPU插槽上，以避免插槽受损。
- 如果您购买了CPU的散热片/冷却器，详细安装请参考散热片/冷却器包装内的说明书。

内存

DIMM 插槽用来安装内存模块。要了解内存模组支持的更新信息，请访问 <http://www.msi.com/service/test-report/>



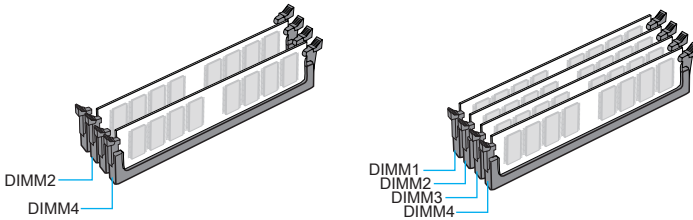
视频演示

观看视频学习如何安装内存，视频网址如下：
http://v.youku.com/v_show/id_XNDkyOTc5OTMy.html



双通道内存插入规则

在双通道模式，内存模块能够在二组数据总线下同时传输和接收数据。打开双通道模式可以提高系统性能。请参考以下双通道模式下插入规则。

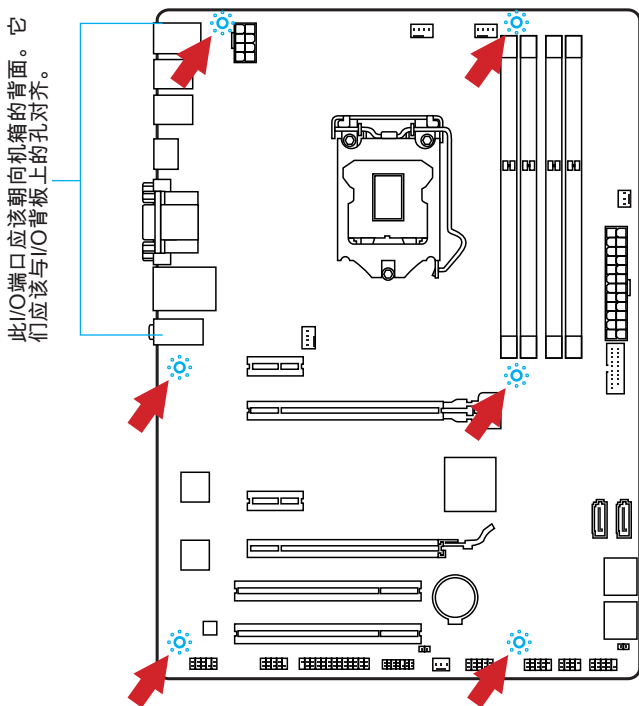


注意

- 由于DDR3内存不与DDR2内存互换，并且DDR3不向下兼容，所以你应该把DDR3内存插入DDR3插槽中。
- 为了确保系统稳定性，在双通道模式中必须使用同类型和同密度的内存模块。
- 由于系统资源部署，在每条DIMM安装一根8GB内存时，系统仅能检测出最高大于31+GB (不足32GB)。

螺丝孔

当安装主板时，首先必须将主板固定在机壳底座。如果机箱壳内带有一个I/O后背板，请替换成主板包装里带有的I/O后挡板。不需要任何螺丝，此后挡板将轻松的卡在机箱上。调整主板上安装板的固定底座并且用机箱提供的螺丝固定好主板。主板上的螺丝孔位置显示如下，更多信息请参阅机箱内附带的手册。



注意

- 安装的主板放在一个平坦的表面上以避免没必要的破碎。
- 为了防止损坏主板，禁止任何的主板线路与机箱之间相连，除了必要的固定螺丝柱外。
- 请确认，没有任何金属组件放入主板或机箱里面，否则放入的金属组件可能造成主板短路。

电源供电



视频演示

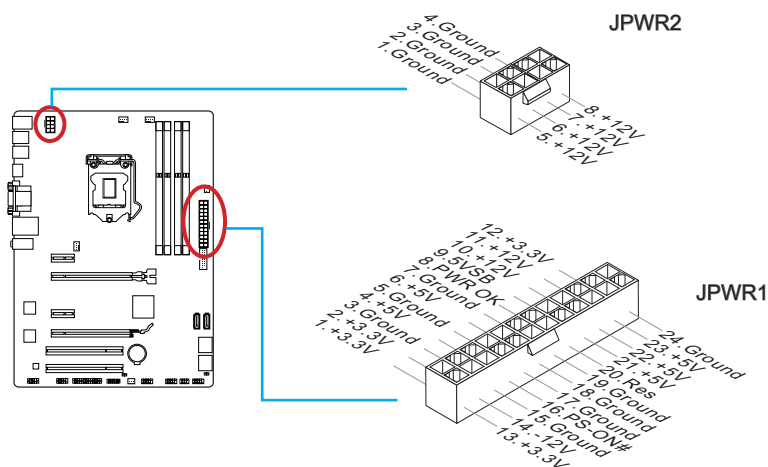
观看视频学习如何安装电源适配器接口，视频网址如下：

http://v.youku.com/v_show/id_XNDkzODU0MDQw.html



JPWR1~2: ATX 电源接口

此接口可以连接一个 ATX 电源适配器。为了连接 ATX 电源适配器，将电源适配器电线与接口对齐，并且稳固地将电线连接在主板的接口上，如果安装正确，电源适配器接线上弹夹将钩在主板电源接口上。



注意

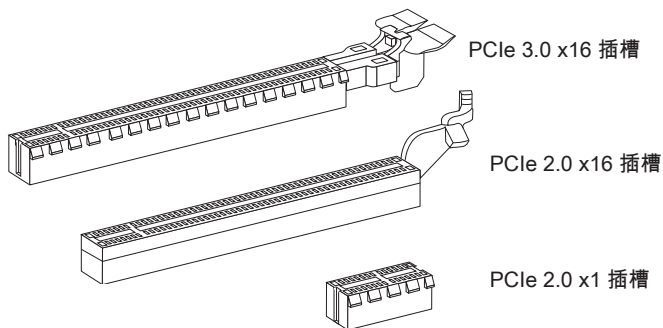
确认所有接口都已正确的连接到ATX电源适配器上，以确保主板稳定的运行。

扩展插槽

主板包含了许多扩展插槽，以供安装扩展卡。例如独立显卡或音频卡。

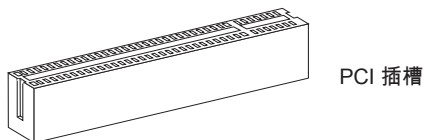
PCI_E1~7: PCIe 扩展插槽

此 PCIe 插槽支持 PCIe 界面扩展卡。



PCI1~2: PCI 扩展插槽

此 PCI 插槽支持 PCI 界面扩展卡。



当添加或移除扩展卡时，请首先关闭电源并且从电源插座中拔下电源线。查看关于扩展卡的文档以便检查必要附件的硬件和软件变化。

视频/ 显卡

若主板有支援显示器接头并且内置显示芯片的CPU处理器时，您可以使用主板内置显示器。但利用主板的扩展插槽来安装独立显卡也是一种选择。增加一个或多个独立显卡将显著的提高系统图形处理性能。为了确保最好的兼容性，推荐您使用微星显卡。



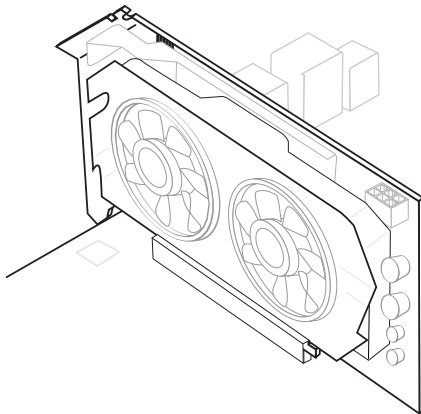
视频演示

观看视频学习如何在蝶状锁扣的 PCIe x16 插槽中安装显卡，网址如下：
http://v.youku.com/v_show/id_XNDkyOTc3MzQ4.html



独立显卡的安装

1. 确认显卡将使用什么类型的扩展槽，找到主板上的扩展槽，拿掉机箱里用来保护扩展槽的覆盖物。
2. 将显卡与在扩展槽的顶端对齐，显示端口朝向机箱的外部。对于独立显卡的安装，推荐使用 PCI_E2 插槽。
3. 将显卡放入扩展槽中，根据使用的扩展槽，锁定位置把显卡入在扩展插中。
4. 如果需要，用螺丝固定显卡边缘在机箱上。某些视频卡可能需要可以直接供电的电源线。
5. 关于最新显卡驱动和其它的特殊设置请参阅您的显卡手册。



内部接口

SATA1~6: SATA 接口

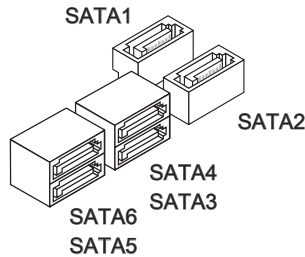
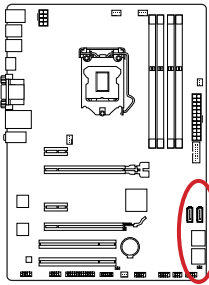
此接口是高速的串行ATA界面端口。每个接口可以连接一个串行ATA设备。串行ATA 设备包括硬盘 (HDD)，固态硬盘(SSD)，和光盘 (CD/ DVD/ Blu-Ray)。



视频演示

观看视频学习如何安装 SATA HDD，网址如下：

http://v.youku.com/v_show/id_XNDkzODU5MTky.html



为 Z87-G41 PC Mate/ ZH87-G41 PC Mate

- SATA1~6 (6Gb/s, 由 Intel® Z87/ H87)

为 B85-G41 PC Mate

- SATA1, SATA2, SATA3, SATA4 (6Gb/s, 由 Intel® B85)

- SATA5, SATA6 (3Gb/s, 由 Intel® B85)

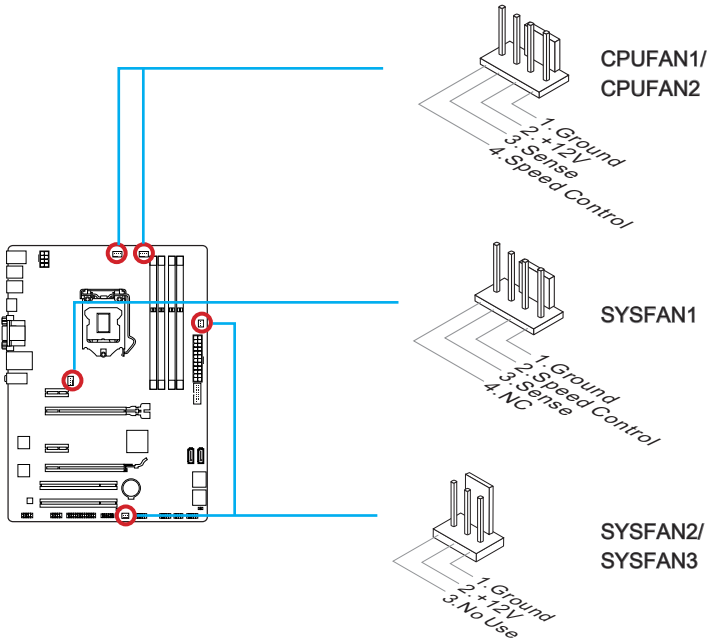


注意

- 许多串行ATA设备也需要带电源供应的电源线，例如：包括硬盘(HDD)、固态硬盘(SSD)，和光驱 (CD / DVD / Blu-Ray)。更多详情请参阅设备的手册。
- 许多机箱也要求串行设备，例如HDD，SSD和光驱设备，应该被拧紧在机箱壳内。关于进一步的安装说明请参阅机箱或串行设备配带的说明手册。
- 请勿将串行ATA数据线对折成90度。否则，传输过程中可能会出现数据丢失。
- SATA 线的两端有相同的插口，然而，为了节省空间建议连接扁平接口端在主板上。

CPUFAN1~2, SYSFAN1~3: 风扇电源接口

风扇电源接口支持+12V的系统散热风扇。如果您的主机板有集成系统硬件监控芯片，您必须使用一个特别设计支持风扇速度侦测的风扇方可使用CPU风扇控制功能。请记住连接所有的系统风扇，一些系统风扇可能无法连接到主板上，您可以直接连接到电源上。系统风扇可以插入到任何可用的系统风扇接口上。



注意

- 请访问处理器官方网站以参见推荐的 CPU 风扇或咨询商家合适的 CPU 散热风扇。
- 此接口以线性模式支持智能风扇控制，您可以安装 Command Center 工具以根据 CPU 和系统的温度自动控制风扇的速度。
- 如果主板上没有足够的端口连接所有系统风扇，适配器可以通过一个转接头直接连接一个风扇电源线。
- 启动之前，确保没有任何电线击中风扇叶片的可能。

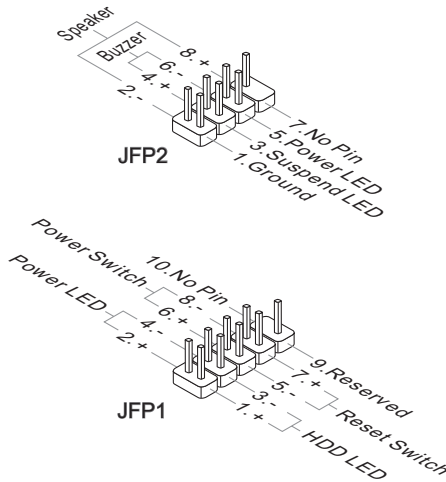
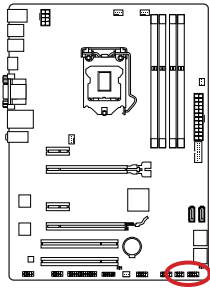
JFP1, JFP2: 系统面板接口

这些接口连接前置面板开关和指示灯。JFP1是和Intel®的前置I/O面板连接规格兼容的。当安装前置面板接口时，请使用选配的M接口以简化安装。从机箱中插入所有的电线在M接口上，然后再将M接口插在主板上。



视频演示

观看视频了解如何安装前置面板接口，视频网址如下：
http://v.youku.com/v_show/id_XNDkyOTg3NjMy.html

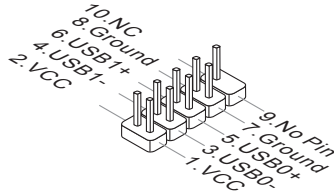
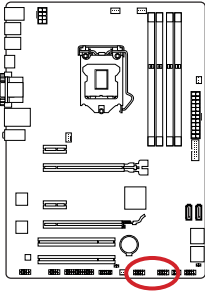


注意

- 因为接口的原因，标记小三角形的引脚是正极导线。请根据上面的图标和在M接口上的标示来决定接头的插入方向和位置。
- 大多数电脑机箱的前置面板接口主要接入在JFP1上。

JUSB1~2: USB 2.0 扩展接口

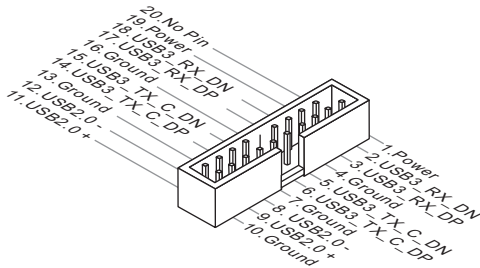
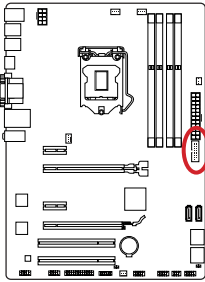
此接口专为连接高速USB外围设备而设计。例如 USB HDD，数码相机，MP3 播放器，打印机，调制解调器等。



请注意，VCC 和 GND 针脚必须正确连接以避免可能的损坏。

JUSB3: USB 3.0 扩展接口

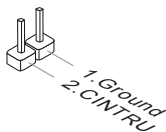
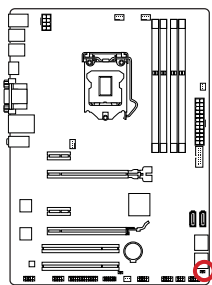
USB 3.0 端口向下兼容 USB 2.0 设备。它支持高达 5 Gbit/s (超高速) 的数据传输速率。



- 请注意，VCC 和 GND 针脚必须正确连接以避免可能的损坏。
- 要使用 USB 3.0 设备，您必须通过一个可选的 USB 3.0 兼容线连接设备到 USB 3.0 端口上。

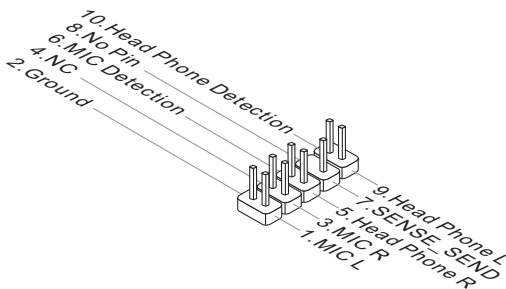
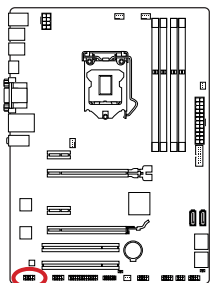
JCI1: 机箱入侵开关接口

此接口与机箱入侵开关线缆相连。如果机箱被打开，机箱入侵机制被激活。系统会记录此状态，并在屏幕上显示警告信息。要消除这一警告信息，您必须进入BIOS设定工具清除此记录。



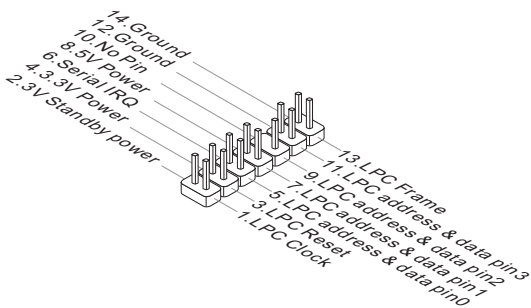
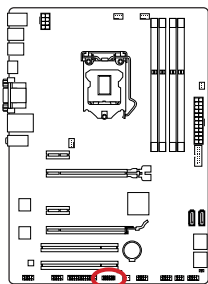
JAUD1: 前置面板音频接口

此接口允许您连接您电脑机箱上的前置音频面板。它符合Intel®前置面板I/O连接设计手册。



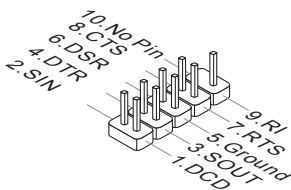
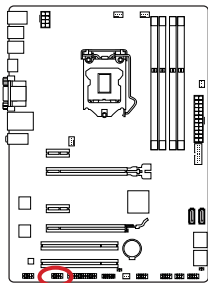
JTPM1: TPM 模组接口

此接口连接一个TPM(安全平台模组)模组(选配)。请参考TPM安全平台手册以获得更多细节和用法。



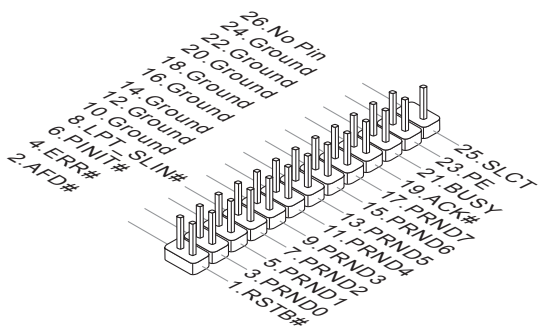
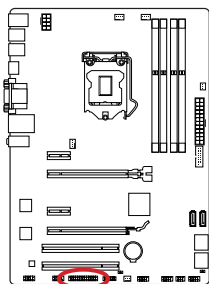
JCOM1: 串行端头接口

此接口是一个 16550A 高速通讯端口，收/发 16 bytes FIFOs。您可以连接一个串行设备。



JLPT1: 并行端头接口

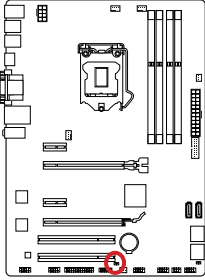
该连接器用于连接一个可选的并行端口插槽。并行端口是一种标准的打印机接口，它可以支持EPP(增强型并行端口)和ECP(扩展容量并行端口)两种模式。



跳线

JBAT1: 清除 CMOS 跳线

主板上建有一个 CMOS RAM，其中保存的系统配置数据需要通过一枚外置的电池来维持它。CMOS RAM 是在每次启动计算机的时候自动引导操作系统的。如果您想清除系统配置，设置跳线清除 CMOS RAM。



保留数据



清除数据



当系统关闭时您可以通过短接跳线来清除 CMOS RAM。然后开启它，避免在系统打开时清除 CMOS，这样将损坏主板。

驱动和实用程序

在您安装操作系统之后，您需要安装驱动程序，以最完美地提高您刚建立的新计算机的性能。MSI 主板带有一个驱动程序光盘，驱动程序使得计算机更有效的使用主板并且可以使用我们提供的特殊功能优势。

通过安装捆绑的安全程序可以保护您的计算机远离病毒。该软件包还包括了各种强大和创造性的实用程序。

Total Installer (整体安装)

Total Installer (整体安装) 是很容易使用并且为您找到必需的驱动程序提供了优质服务。请按照下列步骤为您的新电脑安装驱动和工具。

1. 把 MSI 驱动光盘放入光盘驱动器中，如果操作系统中开启了自动运行的话，安装界面将会自动出现。
2. 点击 Total Installer。将出现一个弹出的对话框列出所有必需的驱动程序。



点击此处

3. 在驱动程序列表框中选择所有的复选框。
4. 点击安装按钮。
5. 软件安装开始进行。完成安装后将提醒您重启。
6. 点击 OK 按钮完成安装。
7. 重新启动您的电脑。

您也可以用同样的方法来安装实用程序。

BIOS Setup

CLICK BIOS 是由 MSI 所开发，它为用户提供了一个图形用户界面。可以通过鼠标和键盘来设置 BIOS 参数。

通过 CLICK BIOS 用户可以改变 BIOS 设置，检测 CPU 温度，选择设备启动优先权并且查看系统信息，例如：CPU 名称，DRAM 容量，操作系统版本和 BIOS 版本。用户可以从备份中导入数据资料也可以与朋友分享导出数据资料。

进入 BIOS 设置

计算机加电后，系统将会开始POST(加电自检)过程。当屏幕上出现以下信息时，按 键即可进入 BIOS:

**Press DEL key to enter Setup Menu, F11 to enter Boot Menu
(按 DEL 键进入设定，按 F11 进入启动菜单)**

如果此信息在您做出反应前就消失了，而您仍需要进入Setup，请关机后再开机或按机箱上的Reset键，重启您的系统。您也可以同时按下<Ctrl><Alt>和<Delete>键来重启系统。

MSI另外提供了两种方法进入BIOS设置。您可以在“MSI Fast Boot”功能屏上点击“GO2BIOS”选项栏或在主板上按下“GO2BIOS”按钮(选项)，以便下次启动时系统可以直接进入BIOS设置。



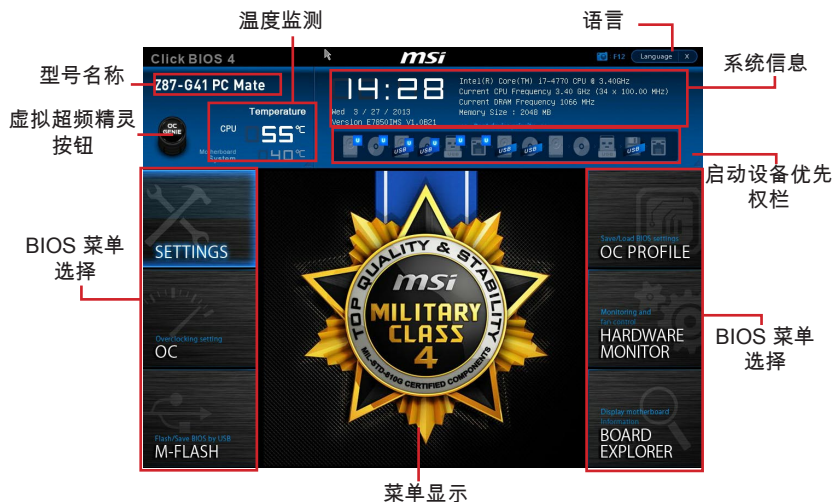
在“MSI Fast Boot”功能屏上点击 “GO2BIOS” 选项



- 在使用“MSI Fast Boot”进入BIOS设置前，请确认安装该工具。
- 为了获得更好的系统性能，本章节每个BIOS目录下的项目描述都在不断的更新。因此，这些描述可能有些稍微的不同，仅供参考。

概述

进入 BIOS 后，屏幕显示如下。



► 温度监测

显示处理器和主板的温度。

► 语言

允许您选择 BIOS 设置语言。

► 系统信息

显示时间，日期，CPU 名称，CPU 频率，DRAM 频率，DRAM 容量和 BIOS 版本。

► BIOS 菜单选择

下列选项是可用的：

- **SETTINGS** - 使用此菜单来指定芯片组和启动设备的参数。
- **OC** - 此菜单包含频率和电压调整选项，增加频率可能获得更好的性能，然而，高频率和高温可能导致不稳定。我们不建议普通用户超频。
- **M-FLASH** - 此菜单提供 USB 刷新盘来升级 BIOS。
- **OC PROFILE** - 此菜单用来设置各种超频档案。
- **HARDWARE MONITOR** - 此菜单用来设置风扇速度和检测系统电压。
- **BOARD EXPLORER** - 它将提供主板上已安装的设备信息。

▶ 启动设备优先权

你可以移动设备图标来改变启动设备优先权。



▶ 菜单显示

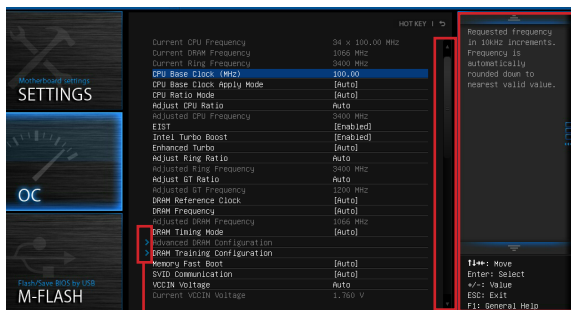
此区域提供了配置的BIOS设置和信息。

▶ 虚拟超频精灵按钮

单击此按钮开启或关闭超频功能。当开启时，此按钮变亮。开启超频功能可以自动以微星最佳超频配置文件进行超频。

▶ 型号名称

显示主板的型号名称。



子菜单

滚动条

普通帮助

▶ 子菜单

如果您看到指示箭头符号出现在某些选项的左边，这表示包含附加选项的子菜单可从这些选项中展开。您也可使用控制键位以高亮显示选区并按<Enter>以唤出子菜单或则双击左鼠标按钮进入子菜单。

▶ 滚动条




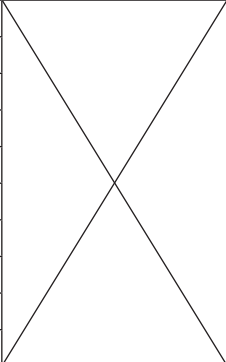
滑动滚动条或点击方向键来显示其它在"menu display"区域可用的选项。

▶ 主题帮助

主题帮助显示简短的描述，用来帮助您理解选中选项的功能。

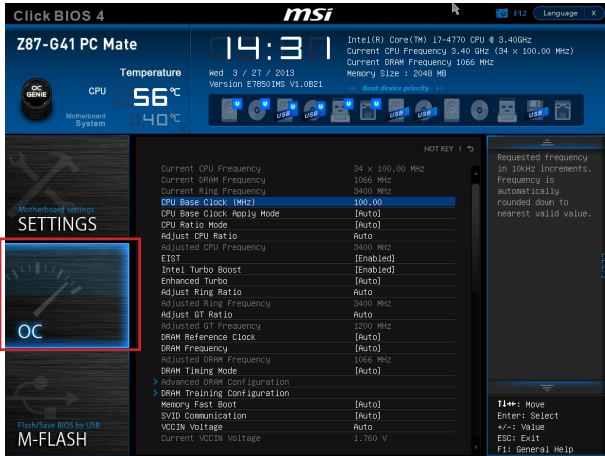
操作

允许您用鼠标和键盘控制 BIOS 设置。下表列出并描述了热键和鼠标操作。

热键	鼠标	描述
<↑↓→←>	 移动光标	选择选项
<Enter>	 点击/双击鼠标左键	选择图标/ 区域
<Esc>	 点击鼠标右键	跳转到退出菜单或从子菜单返回上一个菜单
<+>		增加选项数值或更改数值
<->		减少选项数值或更改数值
<F1>		主题帮助
<F4>		CPU 规格
<F5>		进入 Memory-Z
<F6>		载入优化设置默认值
<F8>		从 USB 驱动载入超频参数
<F9>		超频参数保存到 USB 驱动中
<F10>		保存更改并重新启动
<F12>		截图保存到 FAT/FAT32 USB 驱动中

OC Menu

此菜单为想要对主板超频的高级用户提供。



注意

- 仅建议高级用户手动超频您的电脑。
- 超频没有任何保障，不正确的操作可能导致保修无效或严重损坏您的硬件。
- 如果您对超频不熟悉，我们建议您使用易超频的OC Genie选项。

► Current CPU/ DRAM/ Ring Frequency

此项用来显示当前已安装的 CPU，内存和 Ring。只读。

► CPU Base Clock (MHz) [Default]

此项允许您设置CPU主频。您可以通过调整数值来对CPU进行超频。请注意我们无法保证超频动作。当已安装的处理器支持此功能时此项显示。

► Current CPU Base Clock Strap (为 Z87-G41 PC Mate)

显示当前CPU基准时钟带。只读。当处理器支持此功能时此项才显示。

► Adjust CPU Base Clock Strap [Auto]

设置CPU基准时钟带。您可以通过调整此值来对 CPU 基准时钟超频。我们无法保证超频动作。只有在CPU支持此功能时，此选项才能更改。如果设置为 "Auto"，BIOS将自动配置此设置。 [选项: Auto, 1.00, 1.25, 1.67]

► CPU Base Clock Apply Mode [Auto]

为已调整的 CPU 基频设置应用模式。

[Auto] 此设置由BIOS自动配置。

[Next Boot] CPU 在重启后，运行在调整后的CPU基础频率下。

[Immediate] CPU 立即运行在在调整后的CPU基础频率下。

► CPU Ratio Mode [Auto]

选择 CPU Ratio 操作模式。

[Auto] 此设置由BIOS自动配置。

[Fixed Mode] 固定CPU比率。

[Dynamic Mode] CPU比率将根据CPU的负荷动态的改变。

▶ **Adjust CPU Ratio [Auto]**

此项用来控制决定处理器时钟频率的乘数。此项仅在处理器支持此功能时可用。

▶ **Adjusted CPU Frequency**

此项显示已调整的CPU频率。只读。

▶ **EIST [Enabled]**

开启或关闭改进的 Intel® SpeedStep 技术。

▶ **Intel Turbo Boost [Enabled]**

开启或关闭Intel® Turbo Boost。当安装的CPU支持此功能时此项显示。

[Enabled] 开启此功能它会自动提升高于额定规格的 CPU 性能。当应用程序需要处理器达最高性能状态时。

[Disabled] 关闭此功能。

▶ **Enhanced Turbo [Auto]**

开启或关闭所有CPU内核 Enhanced Turbo 功能来提高 CPU 性能。

[Auto] 此设置由 BIOS 自动配置。

[Enabled] 所有CPU内核速度增加到Intel Turbo Boost技术的最大频率。

[Disabled] 关闭此功能。

▶ **OC Genie Switch [Gear1]**

为OC Genie功能选择一种超频配置。当"OC Genie Function Control"设置为 [By BIOS Options] 时此项出现。

[Gear1] 开启 Gear1 超频配置用来普通超频。

[Gear2] 开启 Gear2 超频配置用来极端超频。



- 建议您开启OC Genie后，请勿更改超频选项并且不要加载默认值。
- 不允许在超频模式下升级BIOS或清除CMOS，它可能导致OC Genie功能失败或其它影响。

▶ **Adjust Ring Ratio [Auto]**

设置 ring ratio 选项。有效值范围取决于已安装的CPU。

▶ **Adjusted Ring Frequency**

显示已经调整的 Ring 频率。只读。

▶ **Adjust GT Ratio [Auto]**

设置板载显卡比率。有效值范围取决于已安装的CPU。

▶ **Adjusted GT Frequency**

显示已调整的板载显卡频率。只读。

▶ **DRAM Reference Clock [Auto]**

设置 DRAM reference clock 选项。有效值范围取决于已安装的CPU。当支持此调整的CPU安装时此项出现。

▶ **DRAM Frequency [Auto]**

设置内存频率选项。请注意我们无法保证超频动作。

▶ **Adjusted DRAM Frequency**

显示已调整的内存频率。只读

► Extreme Memory Profile (X.M.P) [Disabled]

X.M.P. (扩展内存配置文件) 是内存提供的超频技术。当你安装支持X.M.P. 技术的内存模组时此项可用。

[Disabled] 关闭此功能。

[Profile 1] 为已安装的XMP内存模组使用 profile1 超频设置。

[Profile 2] 为已安装的XMP内存模组使用 profile2 超频设置。

► DRAM Timing Mode [Auto]

选择内存时序模式。

[Auto] 内存时序由已安装内存模组的SPD (Serial Presence Detect) 所决定。

[Link] 允许用户手动为所有内存通道配置内存时序。

[UnLink] 允许用户手动为各自内存通道配置内存时序。

► Advanced DRAM Configuration

按<Enter>进入子菜单。在“DRAM Timing Mode”项中设置 [Link] 或 [Unlink] 后子菜单将被激活。用户可以为内存的每个通道设置内存时序。内存时序改变后系统可能变得不稳定或无法启动。如果发生这种情况，请清除CMOS数据并且恢复默认设置。(参阅清除CMOS 跳线/按钮章节来清除CMOS 数据，并进入BIOS加载默认设置)。

► DRAM Training Configuration

按<Enter>进入子菜单。开启或关闭内存不同的自我测试方法。在改变这些子菜单中的选项后，系统可能变得不稳定或不能启动，如果这种情况发生，请清除CMOS数据并恢复到默认设置。(参考清除CMOS跳线/按钮章节来清除CMOS数据，并且进入BIOS加载默认设置。)

► Memory Fast Boot [Auto]

开启或关闭内存每次开机时的初始化和自我检测。

[Auto] 此设置由BIOS自动配置。

[Enabled] 内存模块将完全模仿第一次开机的初始化和自检配置。当第一次开机后，内存不再需要初始化和自检，以便加快系统开机速度。

[Disabled] 每次启动内存模块都会初始化并自检。

► SVID Communication [Auto]

开启或关闭 SVID (Serial Voltage Identification) 支持。

[Auto] 此设置由BIOS自动配置。

[Enabled] PWM相位将随着CPU SVID (Serial Voltage Identification)动态的改变。

[Disabled] 关闭SVID (Serial Voltage Identification)支持。

► VCCIN Voltage [Auto]

设置 CPU 输入电压。CPU输入电压是CPU的供电源，与 CPU 组件共享。

► Current VCCIN Voltage

显示当前 CPU VCCIN 电压。只读。

► CPU Core Voltage Mode/ CPU Ring Voltage Mode/ CPU GT Voltage Mode [Auto]

为这些电压选择控制模式。

[Auto] 此项由BIOS自动配置。

[Adaptive Mode] 为优化系统性能自动设置适当电压。

[Override Mode] 允许您手动设置电压。

► CPU Core Voltage/ CPU Ring Voltage/ CPU GT Voltage [Auto]

设置这些电压。如果设置为“Auto”，BIOS 将自动设置这些电压或您可以手动设置它。

► CPU Core Voltage Offset Mode/ CPU Ring Voltage Offset Mode/ CPU GT Voltage Offset Mode/ CPU SA Voltage Offset Mode/ CPU IO Analog Voltage Offset Mode/ CPU IO Digital Voltage Offset Mode [Auto]

选择电压偏移模式。

[Auto] 此设置由BIOS自动配置。

[+] 允许您设置偏移电压的正值。

[-] 允许您设置偏移电压的负值。

► CPU Core Voltage Offset/ CPU Ring Voltage Offset/ CPU GT Voltage Offset/ CPU SA Voltage Offset/ CPU IO Analog Voltage Offset/ CPU IO Digital Voltage Offset [Auto]

为这些电压设置偏移值。

► Current CPU Core Voltage/ Current CPU Ring Voltage/ Current CPU GT Voltage/ Current CPU SA Voltage/ Current CPU IO Digital Voltage

显示当前电压。只读。

► Internal VR OVP OCP Protection [Auto]

开启或关闭 CPU内部 VR (Voltage Regulator) 的超-电压保护和超-电流保护。

[Auto] 此设置由BIOS自动配置。

[Enabled] 设置CPU内部 VR的电压保护和电流保护极限值。

[Disabled] 关闭此功能以便超频。

► Internal VR Efficiency Management [Auto]

开启或关闭 CPU 内部 VR 效率管理。

[Auto] 此设置由BIOS自动配置。

[Enabled] 开启VR效率管理以节约能源。

[Disabled] 关闭此功能。

► DRAM Voltage [Auto]

设置内存电压。如果设置为 "Auto", BIOS 将自动设置内存电压, 或者您可以手动设置它。

► Current DRAM Voltage

显示当前内存电压。只读。

► CPU Memory Changed Detect [Enabled]

开启或关闭CPU或内存被更换时系统警告信息。

[Enabled] 系统会在开机时显示CPU或内存被更换提示警告信息, 并为新CPU或内存载入默认值。

[Disabled] 关闭此功能, 当CPU或内存更改时, 仍使用当前设定。

► Spread Spectrum

此功能可以降低 脉冲发生器所产生的 EMI (电磁干扰)。

[Enabled] 开启 spread spectrum 功能以降低 EMI (Electromagnetic Interference) 问题。

[Disabled] 提高CPU基频的超频能力。



- 如果您没有任何EMI方面的问题, 要使系统获得最佳的稳定性和性能, 请设置为 [Disabled]。但是, 如果您被EMI所干扰的话, 请选择Spread Spectrum(频展)的值, 以减少EMI。
- Spread Spectrum (频展) 的值越高, EMI会减少, 系统的稳定性也相应的降低。要为 Spread Spectrum (频展) 设定一个最合适的值, 请参考当地的EMI规章。

- 当您超频时,请关闭 *Spread Spectrum (频展)*, 因为即使一个很微小峰值漂移也会引入时钟速率的短暂推动, 这样会导致您超频的处理器锁死。

▶ CPU Specifications

按<Enter>进入子菜单。此子菜单高亮显示您CPU所有键的属性。您也可以通过按[F4]在任何时间访问此信息。只读。

▶ CPU Technology Support

按<Enter>进入子菜单。此子菜单显示已安装CPU支持的键功能。只读。

▶ MEMORY-Z

按<Enter>进入子菜单。此子菜单显示所有设置和已安装内存时序。您也可以任何时间通过长按 [F5] 来访问此信息。

▶ DIMM1~4 Memory SPD

按<Enter>进入子菜单, 此子菜单显示已安装内存信息。只读。

▶ CPU Features

按<Enter>进入子菜单。

▶ Hyper-Threading Technology [Enabled]

处理器使用超线程技术增加处理事务效率, 减少终端用户响应时间。这个技术把在处理器内部的两个内核当做两个可以同时执行指令的逻辑处理器。用这种方法, 系统性能得到了极大的提高。

[Enable] 开启 Intel Hyper-Threading 技术。

[Disabled] 如果操作系统不支持 HT 功能关闭此项。

▶ Active Processor Cores [All]

此项用来选择活跃处理器内核数目。

▶ Limit CPUID Maximum [Disabled]

开启或关闭扩展的 CPUID 值。

[Enabled] 对于一些较旧的不支持扩展CPUID值的操作系统, BIOS会限制CPU-ID输入值的最大值, 以便解决启动阶段的一些问题。

[Disabled] 使用实际最大的CPUID输入值。

▶ Execute Disable Bit [Enabled]

此功能可以阻止某些类的恶意的“缓冲区溢出”攻击您的系统。建议您一直设置开启。

[Enabled] 开启NO-Execution保护预防恶意攻击和蠕虫。

[Disabled] 关闭此功能。

▶ Intel Virtualization Tech [Enabled]

开启或关闭Intel虚拟技术。

[Enabled] 开启Intel 虚拟化技术, 允许在一台电脑上的不同独立分区跑不同的操作系统。系统表现就好像虚拟的多个系统。

[Disabled] 关闭此功能。

▶ Hardware Prefetcher [Enabled]

开启或关闭CPU的硬件预取器 (MLC Streamer prefetcher)。

[Enabled] 允许CPU硬件预取器将数据和指令从内存自动预存到 L2 缓存器中。借此减少内存读取时间。

[Disabled] 关闭CPU硬件预取器。

▶ Adjacent Cache Line Prefetch [Enabled]

开启或关闭CPU的硬件预取器。

[Enabled] 开启相邻高速缓存行预取功能。减少高速缓存延迟，提高特定应用程序性能。

[Disabled] CPU 仅读取请求的高速缓存数据。

▶ CPU AES Instructions [Enabled]

开启或关闭CPU AES (Advanced Encryption Standard-New Instructions) 支持。当CPU支持此功能时此项出现。

[Enabled] 开启Intel AES支持。

[Disabled] 关闭Intel AES支持。

▶ Intel Adaptive Thermal Monitor [Enabled]

开启或关闭Intel 适应性热监控器功能，以防止 CPU 过热。

[Enabled] 当CPU超过合适的温度时，限制CPU核心频率。

[Disabled] 关闭此功能。

▶ Intel C-State [Auto]

C-state是一种由ACPI 定义的处理器电源管理技术。

[Auto] 此设置由BIOS自动配置。

[Enabled] 检测系统空闲状态，并有效地减少CPU功耗。

[Disabled] 关闭此功能。

▶ C1E Support [Disabled]

开启或关闭此项减少空闲时CPU能耗。当"Intel C-State"选项开启时此项出现。

[Enabled] 开启 C1E 功能减少 CPU 频率和电压以便在空闲时节省能耗。

[Disabled] 关闭此功能。

▶ Package C State limit [Auto]

此项允许您选择CPU C-state 模式为系统空闲时节省能耗。当 "Intel C-State"开启时此项出现。

[Auto] 此设置由BIOS自动配置。

[C0~C7s] 省电等级从高到低为 C7s, C7, C6, C3, C2, 然后 C0。

[No limit] 对CPU无C-state限制。

▶ Lake Tiny Feature [Disabled]

为固态硬盘 (SSD) 开启或关闭Intel Lake Tiny功能 (当 Intel rapid storage 技术开启时)。当CPU支持此项技术并同时将"Intel C-State"开启时此项出现。

[Enabled] 加强动态IO负载调节性能，加快固态硬盘速度。

[Disabled] 关闭此功能。

注意: 当 "Intel Turbo Boost " 开启时，下列选项出现。

▶ Long Duration Power Limit (W) [Auto]

为CPU Turbo Boost 模式设置长时间TDP功率限制。

▶ Long Duration Maintained (s) [Auto]

为 "Long duration power Limit(W)" 设置长时间TDP维持时间。

▶ Short Duration Power Limit (W) [Auto]

为CPU Turbo Boost模式设置短时间TDP功率限制。

▶ CPU Current limit (A) [Auto]

为CPU Turbo Boost模式设置最大电流限制。当电流超过设定的最大电流值时，CPU会自动降频以便减少电流。

▶ 1/2/3/4-Core Ratio Limit [Auto]

当支持此功能的 CPU 安装时此项出现。此项允许您在Turbo Boost模式下的不同活动内核中设置 CPU 比率。当已安装处理器支持此功能时选项出现。

Installation/ 설치하기/ インストール/ 安裝/ 安装

This chapter provides demonstration diagrams about how to install your computer. Some of the installations also provide video demonstrations. Please link to the URL to watch it with the web browser on your phone or tablet. You may have even link to the URL by scanning the QR code.

이 장에서는 컴퓨터 설치 방법을 그림으로 제공합니다. 일부는 동영상도 제공하므로 휴대 전화 또는 패블릿의 웹 브라우저로 URL에 링크하여 참조하시기 바랍니다. QR 코드를 스캔하여 URL에 링크할 수도 있습니다.

本章はPCのインストールについて実演の図を提供します。部分のインストールもビデオデモンストレーションを提供します。ユーザーは携帯電話またはタブレットによって、ウェブブラウザでURLとリンクして、これらの図をご覧ください。QRコードさえスキャンすることによって、URLとリンクすることが可能になります。

本章提供安裝電腦的圖示，部份安裝另有影片檔說明。請以手機或平板的網路瀏覽器點進該連結觀賞影片，或以掃描 QR Code 行動條碼的方式進入該連結觀賞。

本章提供安裝电脑的图示。部分安装另有影片档说明。请以手机或平板的网络浏览器点击进入该链接观赏影片，或以扫描 QR Code 条码的方式进入该链接观赏。



The diagrams in this chapter are for reference only and may vary from the product you purchased.

여기에 사용된 그림은 참조용일 뿐이며 구입한 제품에 따라 다를 수 있습니다.

本書の図は参照用だけで、購入したモデルと異なる場合があります。

本章示意圖僅供參考，有可能與您實際購買的產品不同。

本章节示意图片仅供参考，有可能与您实际购买的产品不同。

CPU

Youtube



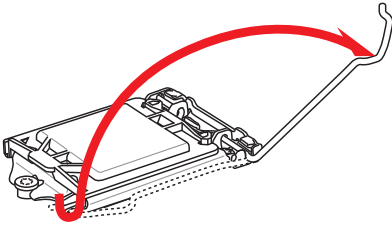
<http://youtu.be/bf5La099url>

优酷

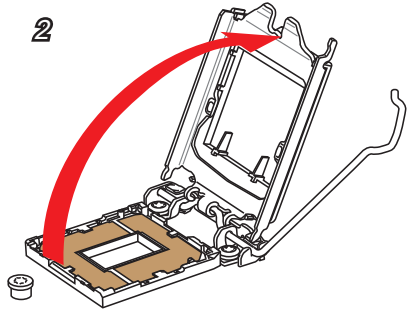


http://v.youku.com/v_show/id_XNDkyOTY1NjQ0.html

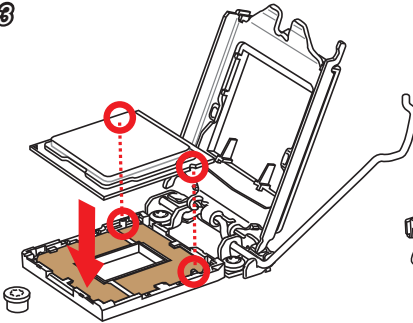
1



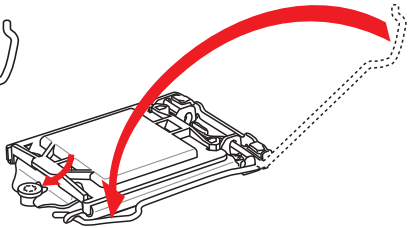
2



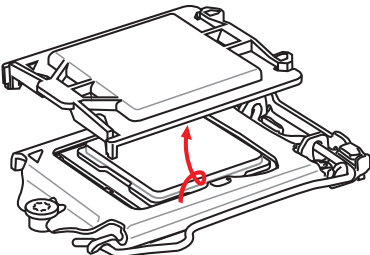
3



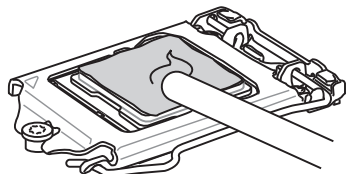
4



5

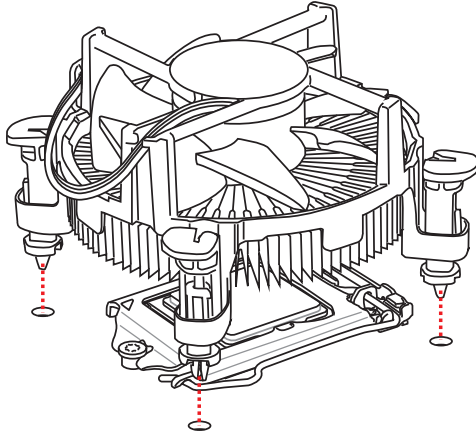


6

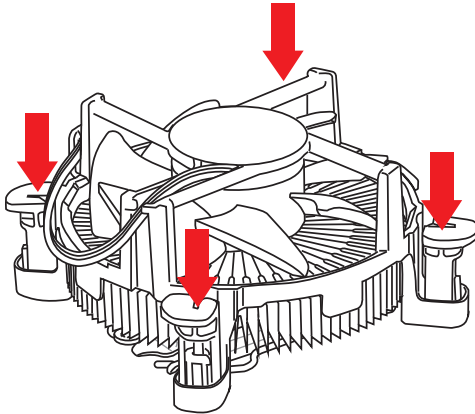


Installation/ 설치하/ 기구스틀/ 安裝/ 安裝

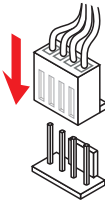
7



8



9



Memory/ 메모리/ メモリ/ 記憶體/ 内存

Youtube



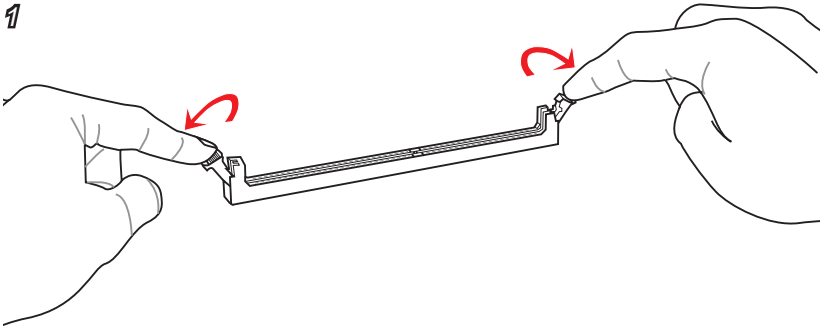
<http://youtu.be/76yLtJaKICQ>

优酷

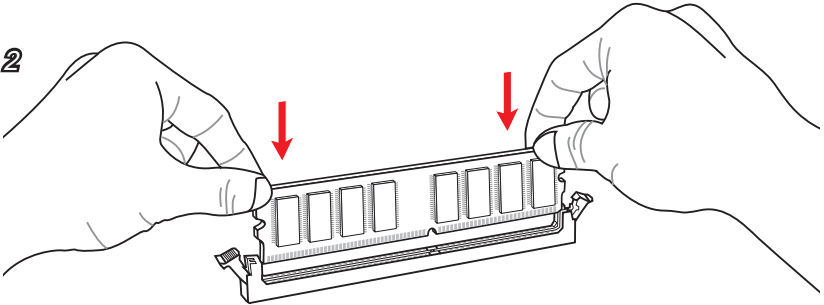


http://v.youku.com/v_show/id_XNDkyOTc5OTMy.html

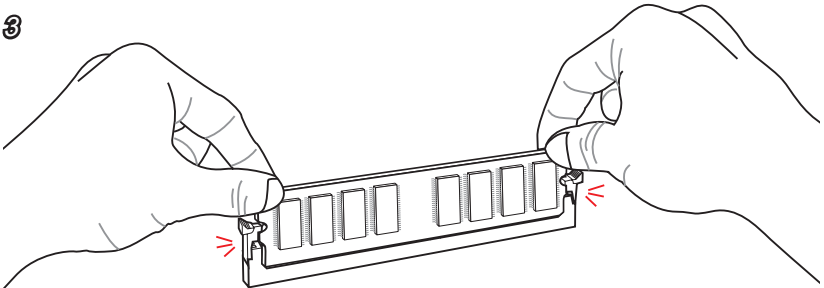
1



2



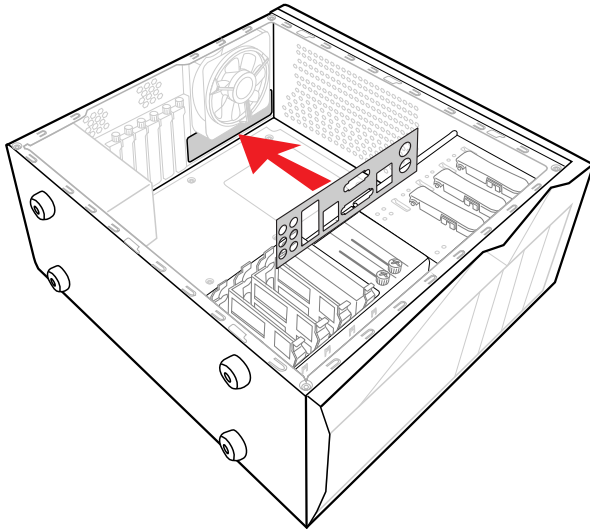
3



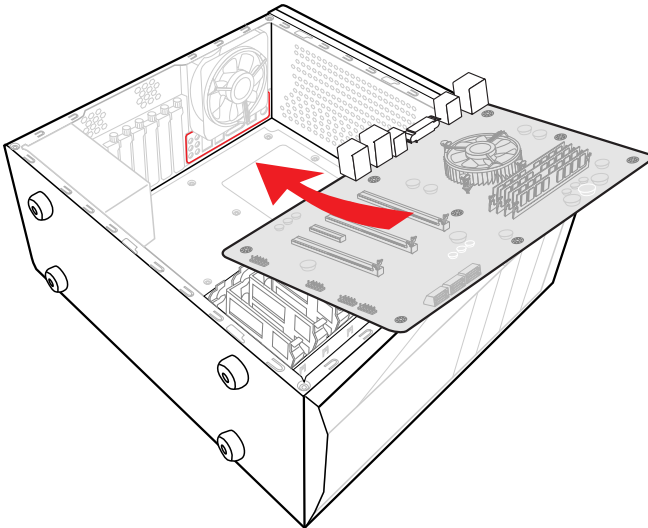
Installation/ 설치하/ 기구/ 工具/ 安装/ 安裝

Motherboard/ 메인보드/ 마ザー보드/ 主機板/ 主板

1

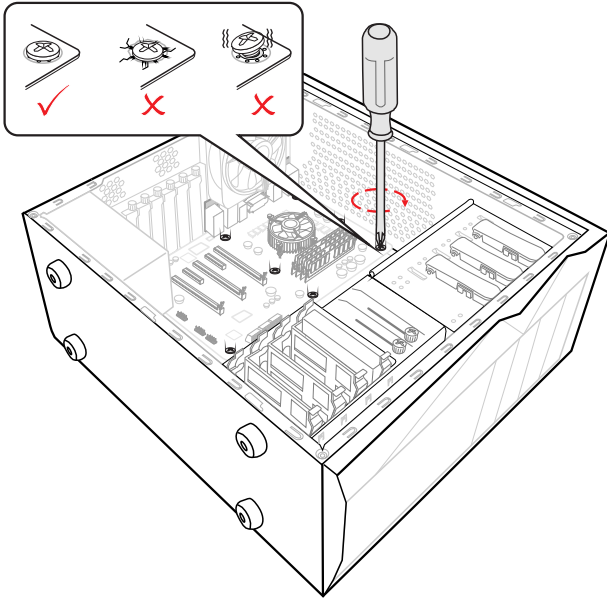


2



Installation/ 설치하/ 安装/ 安裝/ 安裝/ 安裝

69



Installation/ 설치하/ 기インストール/ 安裝/ 安裝

Power Connector/ 전원 커넥터/ 電源コネクター/

電源接頭/ 电源接口

Youtube



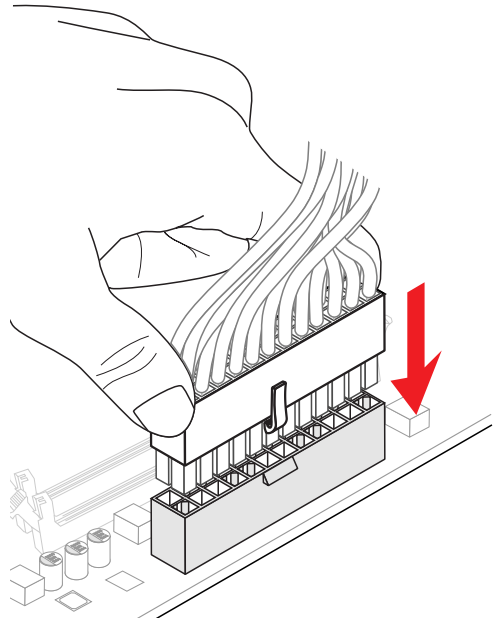
http://youtu.be/gkDYyR_8314

优酷

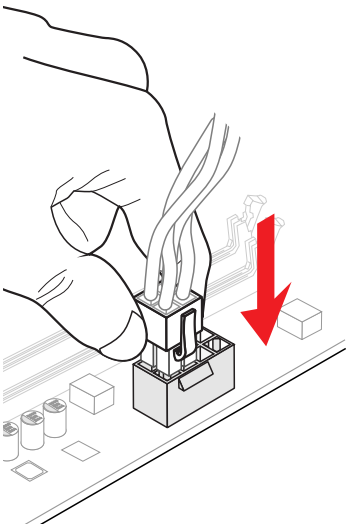


http://v.youku.com/v_show/id_XNDkzODU0MDQw.html

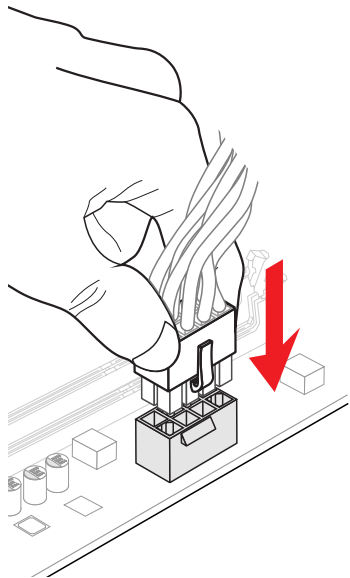
1



2

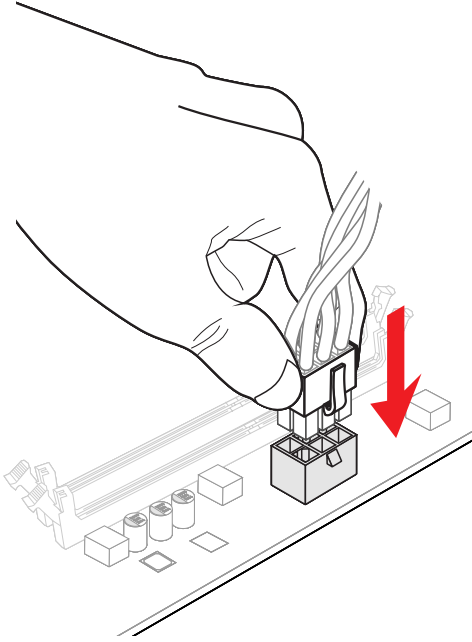


or
또는
または
或是



Installation/ 설치하/ 工具インストール/ 安裝/ 安裝

③



Installation/ 설치하/ 기インストール/ 安裝/ 安裝

SATA HDD

Youtube



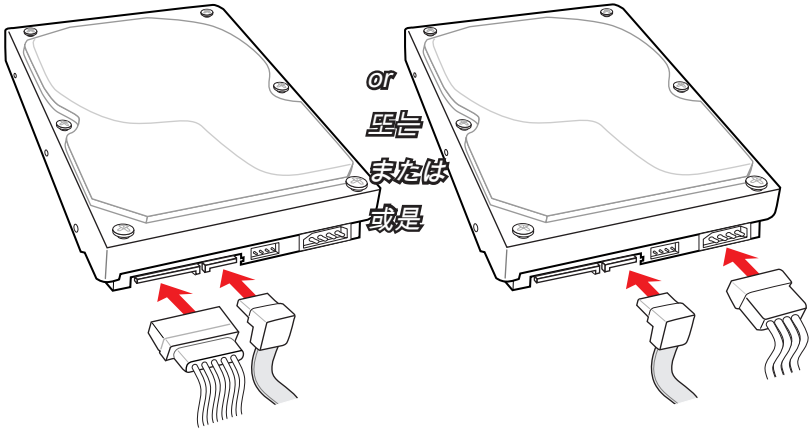
<http://youtu.be/RZsMpqxythc>

优酷

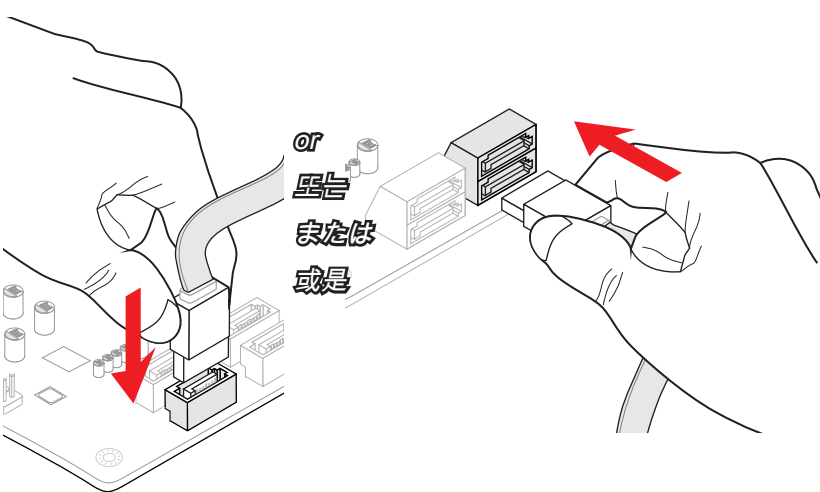


http://v.youku.com/v_show/id_XNDkzODU5MTky.html

1



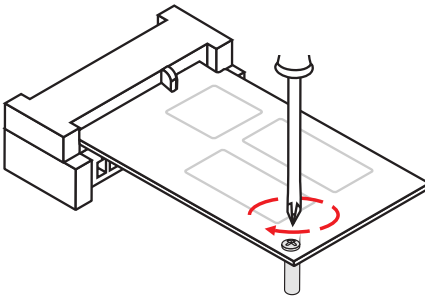
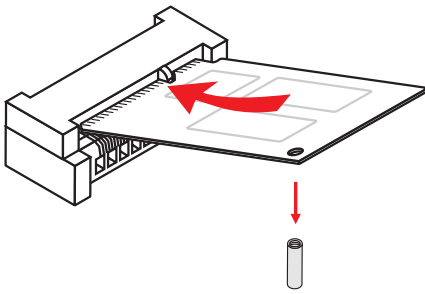
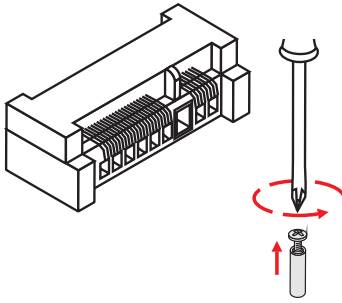
2



Installation/ 설치하/ 플/인/스/트/올/ 안/裝/ 安/裝

mSATA SSD

Installation/ 설치하/ 器具インストール/ 安裝/ 安裝



Front Panel Connector/ 전면 패널 커넥터/

フロントパネルコネクター/ 面板接頭/ 前置面板接口

JFP1

Youtube

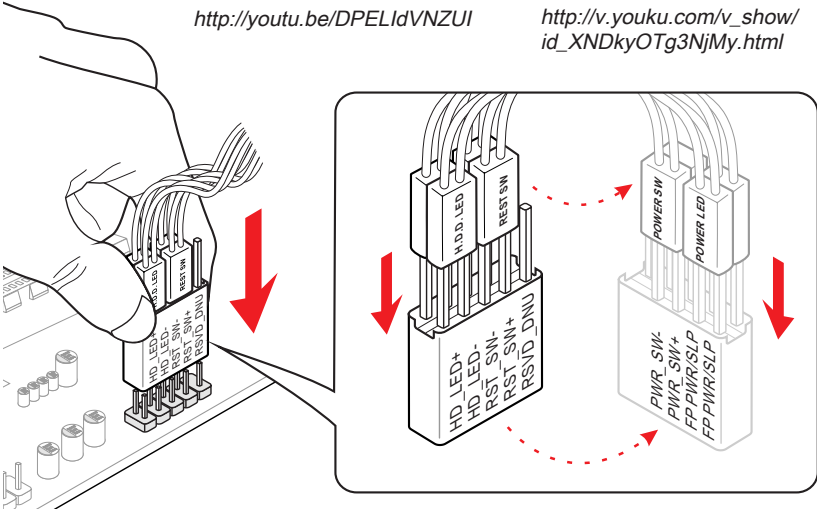


<http://youtu.be/DPELIdVNZUI>

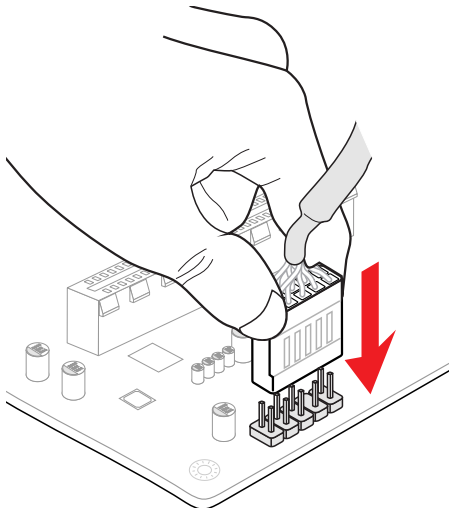
优酷



http://v.youku.com/v_show/id_XNDkyOTg3NjMy.html



JAUD1

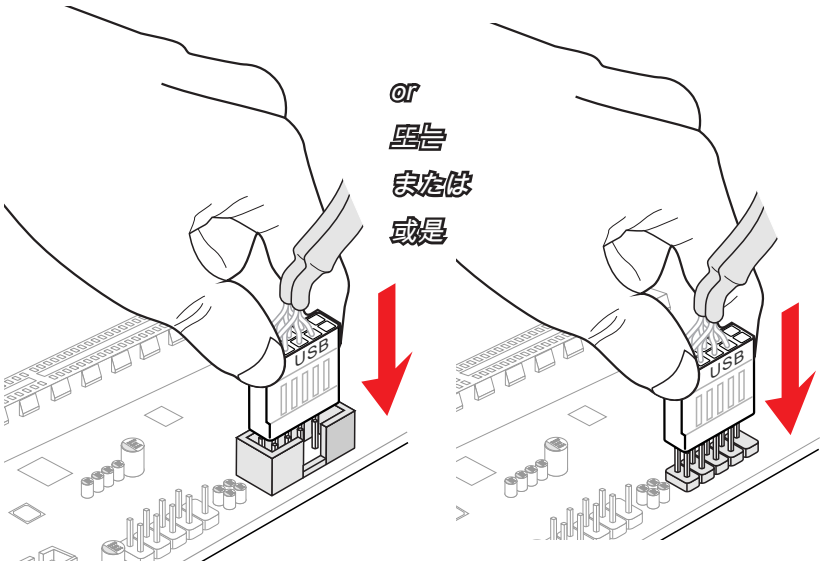


Installation/ 설치하/ 工具/ 安裝/ 安裝/ 安裝

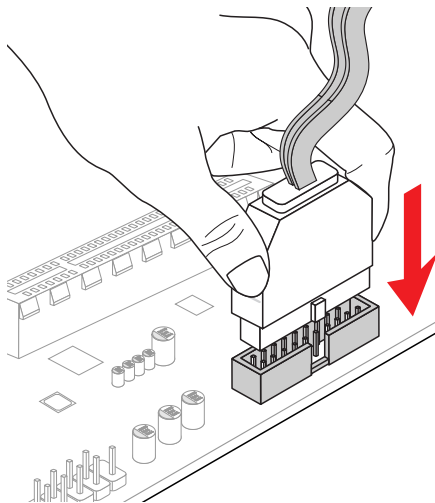
Peripheral Connector/ 주변 커넥터/

周辺機器のコネクター/ 週邊接頭/ 周辺接口

USB2.0



USB3.0



Graphics Card/ 그래픽 카드/ グラフィック스카드/ 顯示卡/ 显卡

Youtube



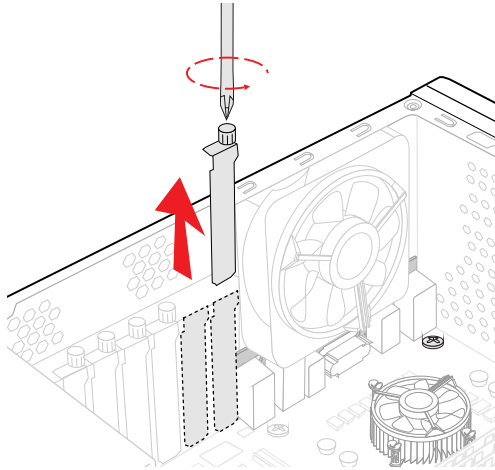
http://youtu.be/mG0GZpr9w_A

优酷

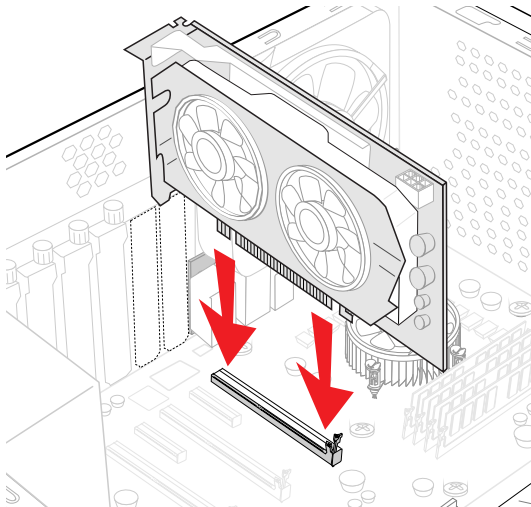


http://v.youku.com/v_show/id_XNDkyOTc3MzQ4.html

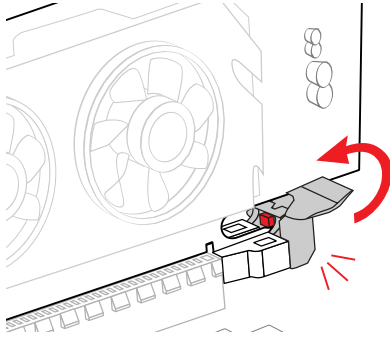
1



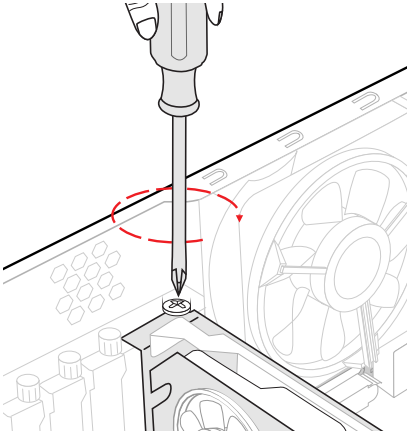
2



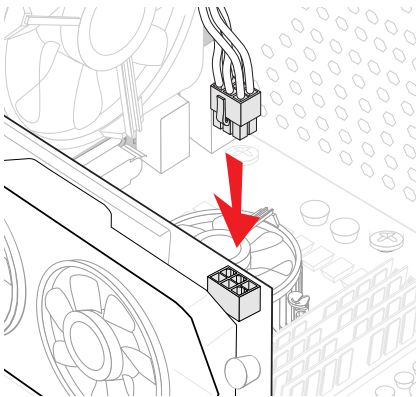
3



4



5



产品中有毒有害物质或元素名称及含量

根据中国<电子信息产品污染控制管理办法>

部件名称	有毒有害物质或元素					
	铅 (Pb)	汞 (Hg)	镉 (Cd)	六价铬 (Cr6+)	多溴联苯 (PBB)	多溴二苯醚 (PBDE)
电池 (Battery)	X	O	O	O	O	O
电缆/ 连接器 (Cable/ Connector)	X	O	O	O	O	O
机箱/ 其它 (Chassis/ Other)	X	O	O	O	O	O
光盘驱动器 (如CD, DVD等) (Optical Disk Driver)	X	O	O	O	O	O
硬盘驱动器 (Hard Disk Driver)	X	O	O	O	O	O
印刷电路部件 (PCAs)*	X	O	O	O	O	O
输出输入设备 (如Mouse, Keyboard等) (I/O Device)	X	O	O	O	O	O
液晶显示屏 (LCD Panel)	X	X	O	O	O	O
内存条 (Memory)	X	O	O	O	O	O
处理器和散热器 (Processor and Heatsink)	X	O	O	O	O	O
软件 (如CD、DVD等) (Media)	O	O	O	O	O	O
电源 (Power Supply)	X	O	X	O	O	O
遥控器 (Remote Control)	X	O	O	O	O	O
扬声器 (Speakers)	X	O	O	O	O	O
电视接收器 (TV Tunner)	X	O	O	O	O	O
网络摄像头 (Web Camera)	X	O	O	O	O	O
无线网卡 (Wireless Card)	X	O	O	O	O	O

- *印刷电话部件包括所有印刷电路板(PCB)及其离散组件、IC。
- 上述有毒有害物质或元素清单会依产品出货现况之部件差异而有所增减。
- O: 表示该有毒有害物质在该部件所有均质材料中的含量均在SJ/T11363-2006标准规定的限量要求下。
- X: 表示该有毒有害物质至少在该部件的某一均质材料中的含量超出SJ/T11363-2006标准规定的限量要求, 但符合EU RoHS要求。
- 本产品在中国销售之电子信息产品都必须遵守中国<电子信息产品污染控制要求>标准贴上环保使用期限EPUP (Environmental Protection Use Period)标签。
- 本产品使用之环保使用期限EPUP卷标符合中国-电子信息产品环保期限使用通则(SJ/Z 11388-2009)标示之要求 (请参考下图EPUP卷标图标实例, 标示内部之编号适用于各指定产品。)

